

BYOT Rectangle.

Meetings can be hard, your furniture shouldn't be.

BYOT is a no fuss design that keeps technology under wrap without sacrificing accessibility. Express your design vision with a wide variety of base styles, surface materials, heights and sizes.

Build Your Own Table.





BYOT RECTANGLE

DIMENSIONS

Surface Depth:	Veneer or Laminate: 42" 48" 54" 60" 66" 72" Soft Touch Glass: 42" 48" 54" 60"
Surface Width:	72" 78" 84" 90" 96" 102" 108" 114" 120" 132" 144" 156" 168" 180" 192" 204" 216" 240"
Surface Thickness:	Veneer or Laminate 1.5" Glass 0.5"
Overall Height:	29"H (seated) 30"H* (seated) 42"H (bar) <i>*only applicable to Mast & Fin base styles</i>

STYLES

Surface Corner:	Square 6" Radius
Base:	Hashi Pillar Factory Farm Loop Slim Mast* Fin* <i>*available in Seated (30"H) only</i>

DESIGN DETAILS

Trough Access	Magnetic Door
Glides:	1.5" Leveler: Hashi Pillar Factory Farm Loop Slim 0.75" Leveler: Mast Fin

POWER

1 Bento + 3 Under Surface Power:	72"W - 90"W
2 Bento + 6 Under Surface Power:	96"W - 132"W
3 Bento + 9 Under Surface Power:	144"W - 204"W
4 Bento + 12 Under Surface Power:	216"W - 240"W
Infeed:	Softwired (UL Listed), 120"L, 20 AMPS Hardwired (UL Listed), 120"L, Straight Coupler
Infeed Location:	Base Center Drop

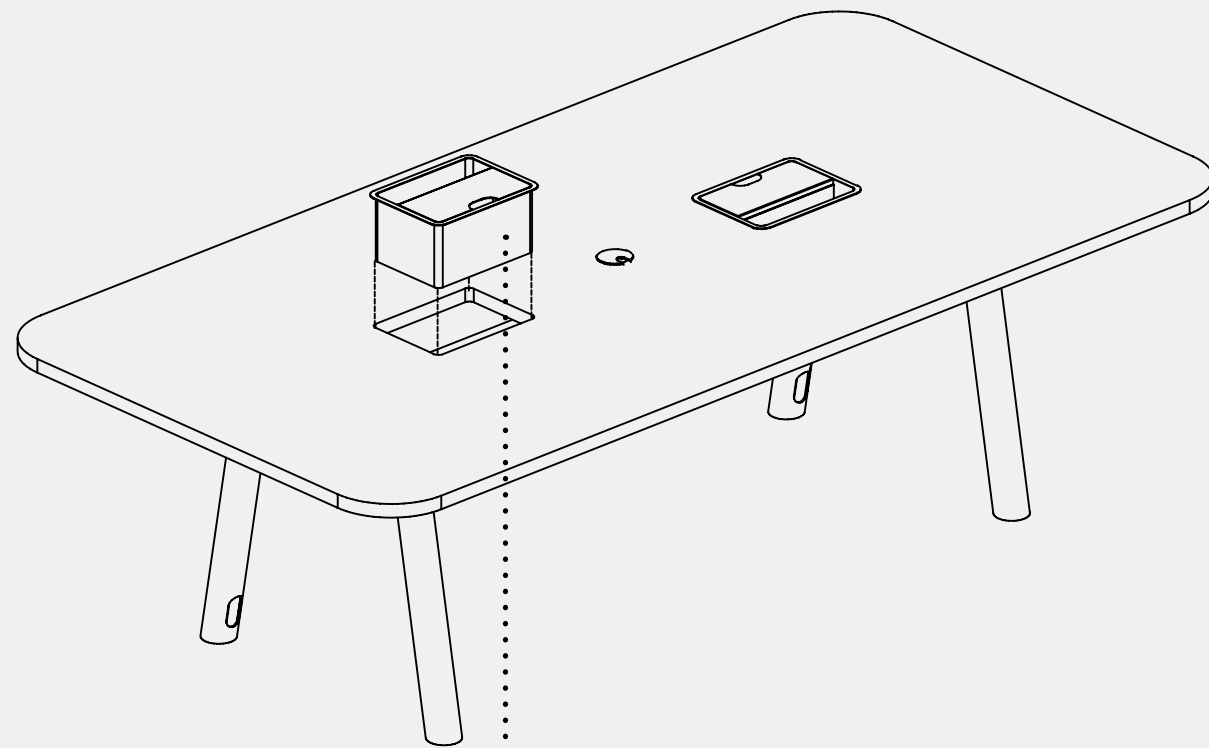
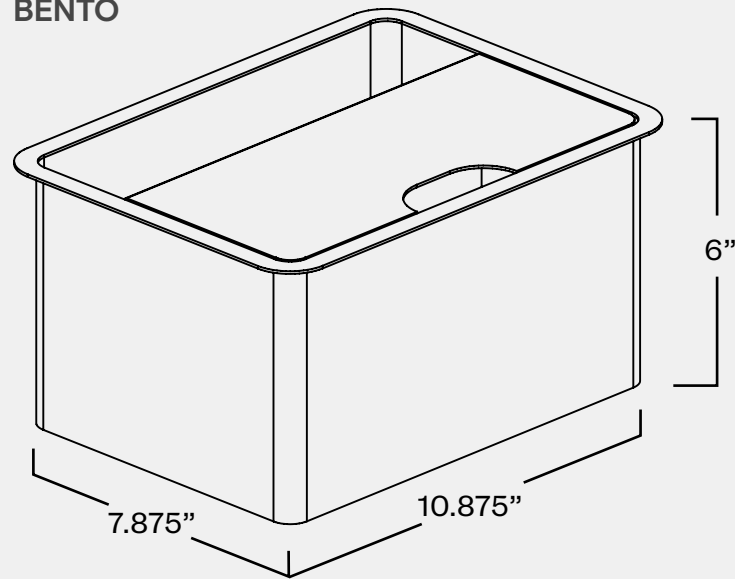
FINISHES *(Refer to Pair Palette)*

Surface:	Veneer Laminate Soft Touch Glass
Edge Band:	Matching Exposed Baltic Birch Plywood
Base:	Metal
Trough:	Metal
Bento:	Metal
Grommet:	Black Oxide Brushed Nickel
Infeed Cover:	Metal

**only applicable with Fin & Mast Style base*



BENTO



EASY INSTALLATION

- Installs through table top
- Plugs into the below-surface 4-Trac power

BELOW SURFACE POWER

Conceal laptop chargers and much more inside the BYOT trough. Easily access the additional under surface power through the magnetic door

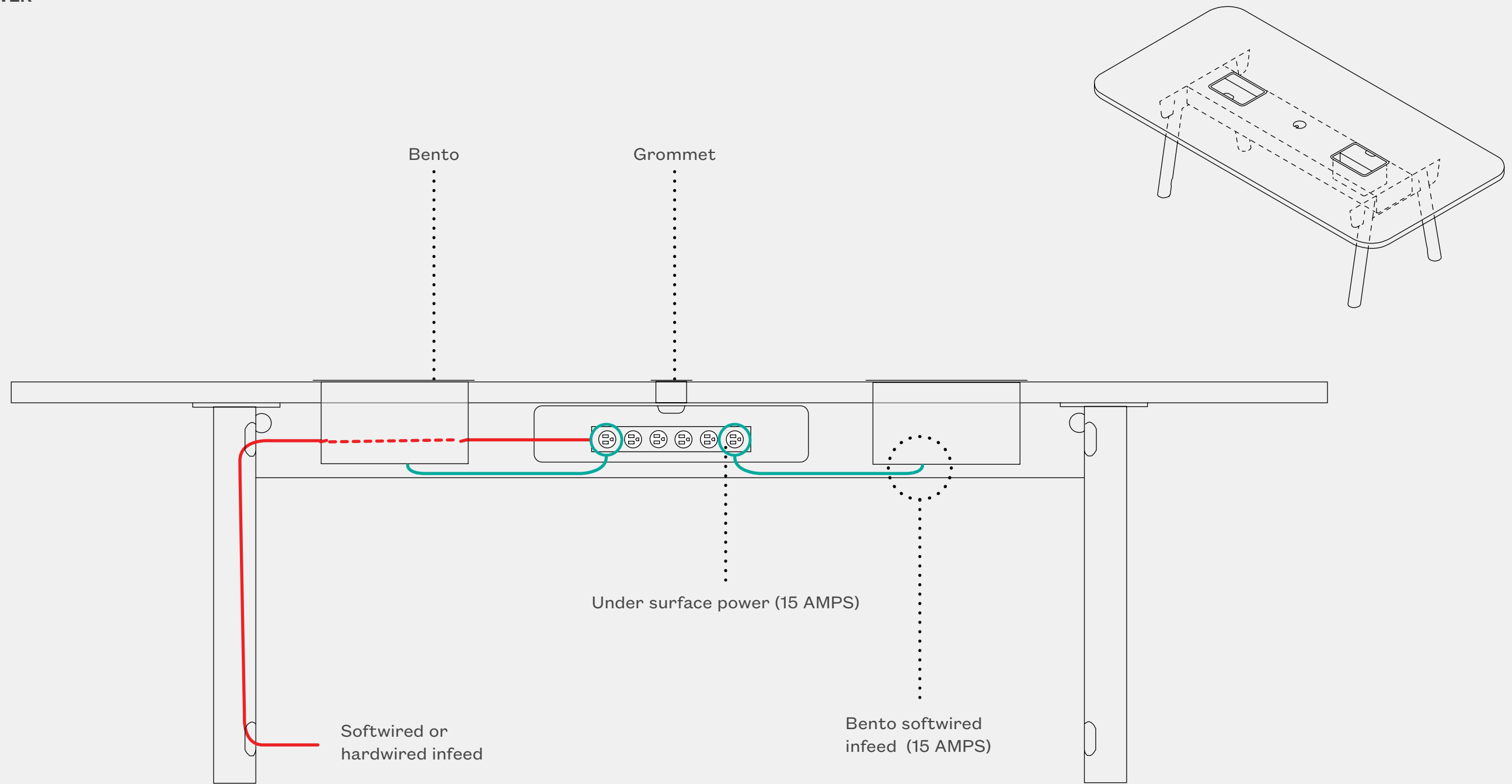
ABOVE SURFACE POWER

Bento is a table top solution that offers flexible power and data without cord clutter



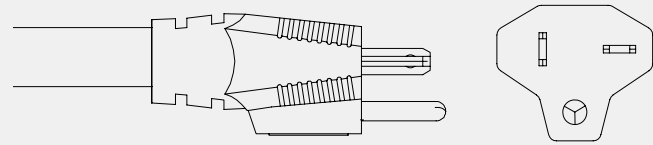
SMART WIRE MANAGEMENT

Run power and data cables through any leg or center drop.

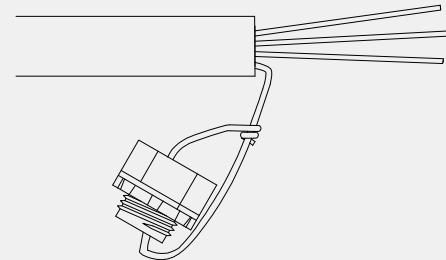


INFEED DETAILS

Softwired, 20 AMPS



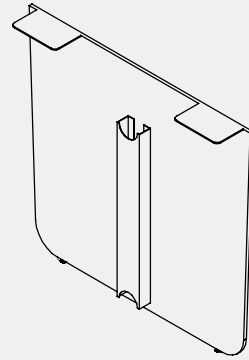
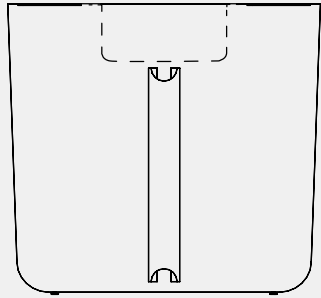
Hardwired, 1 Circuit



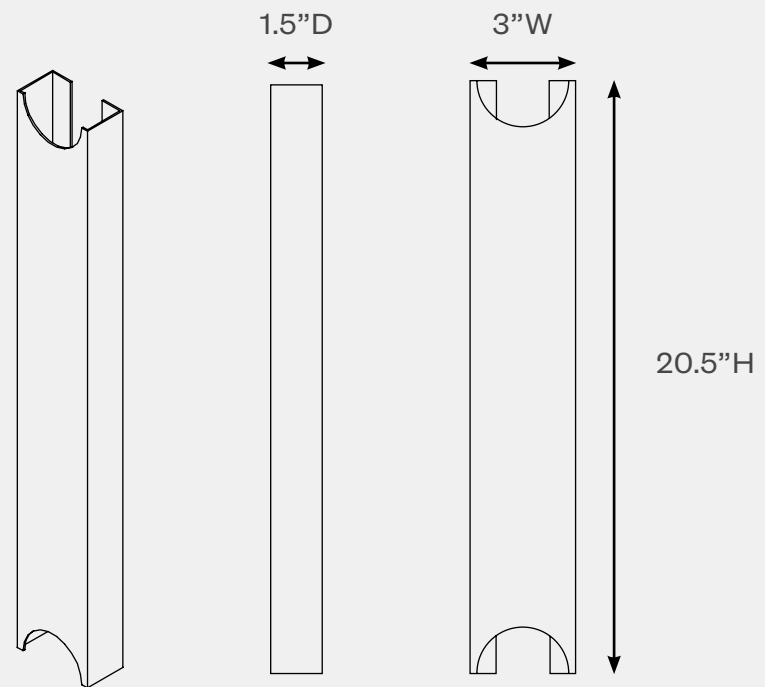
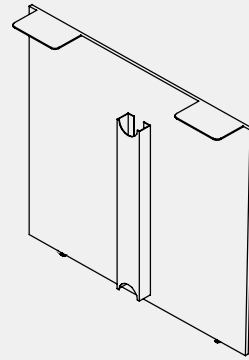
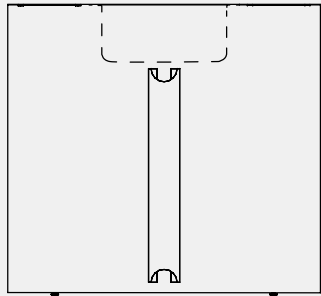
BYOT RECTANGLE | INFEED COVER

**only applicable with Fin & Mast Style Leg*

MAST



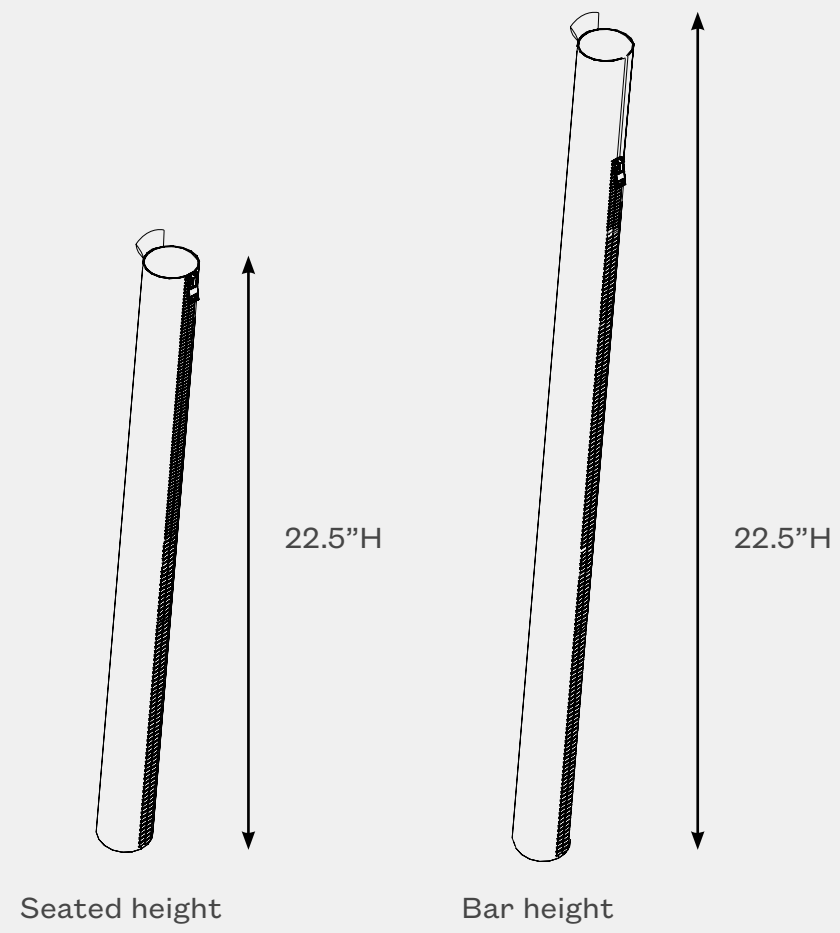
FIN



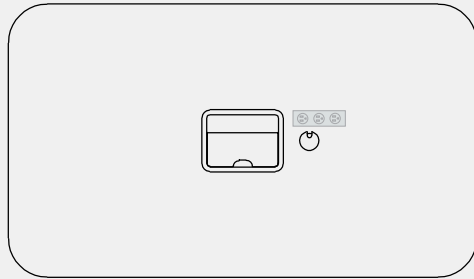
BYOT INFEED SLEEVE | CENTER DROP INFEED

Applicable to any table

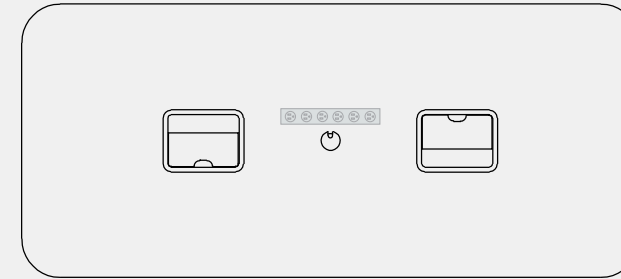
- Sleeve hooks to base of table
- Zipper allows for easy installation and access



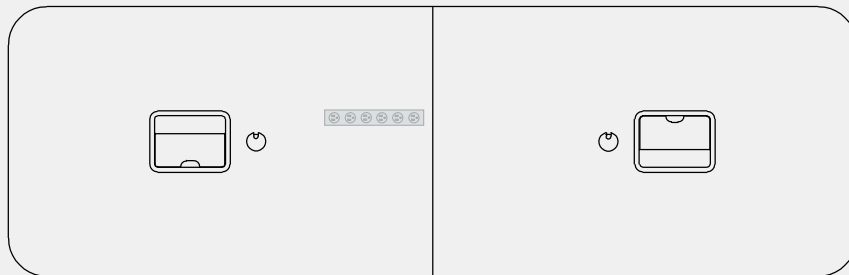
BYOT RECTANGLE | POWER + SURFACE CONFIGURATION
Depths - 42"D, 48"D, 54"D, 60"D



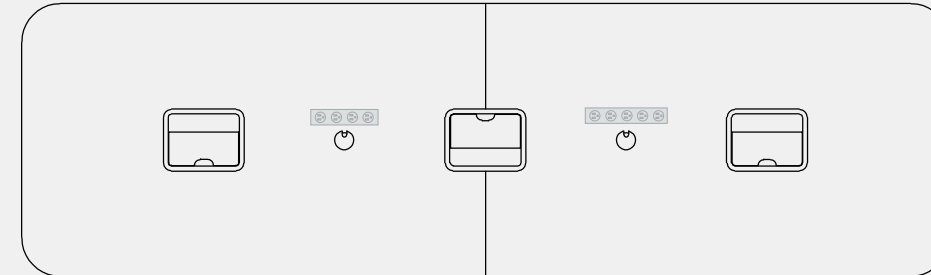
72"W - 90"W
1 Piece Surface | 2 Bases | 1 Bento + 3 Under Surface Power



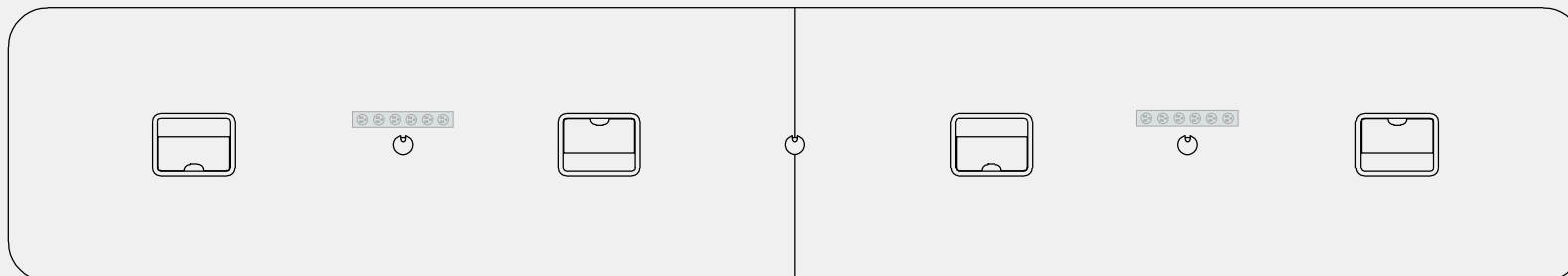
96" - 120"W
1 Piece Surface | 2 Bases | 2 Bento + 6 Under Surface Power



132"W
2 Piece Surface | 3 Bases | 2 Bento + 6 Under Surface Power

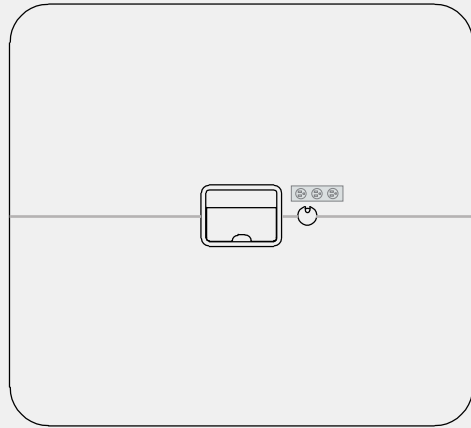


144"W - 204"W
2 Piece Surface | 3 Bases | 3 Bento + 9 Under Surface Power

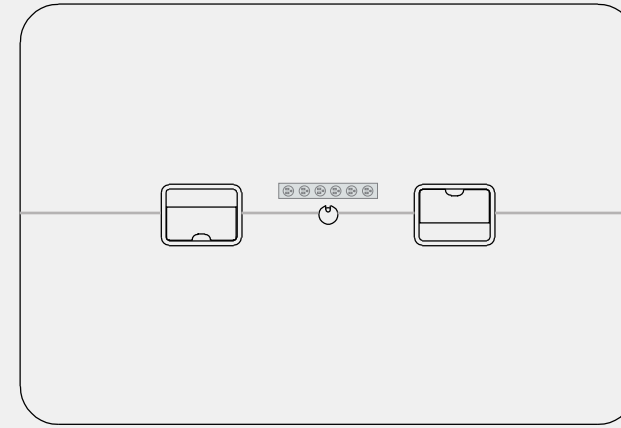


216"W - 240"W
2 Piece Surface | 2 Bases | 4 Bento + 12 Under Surface Power

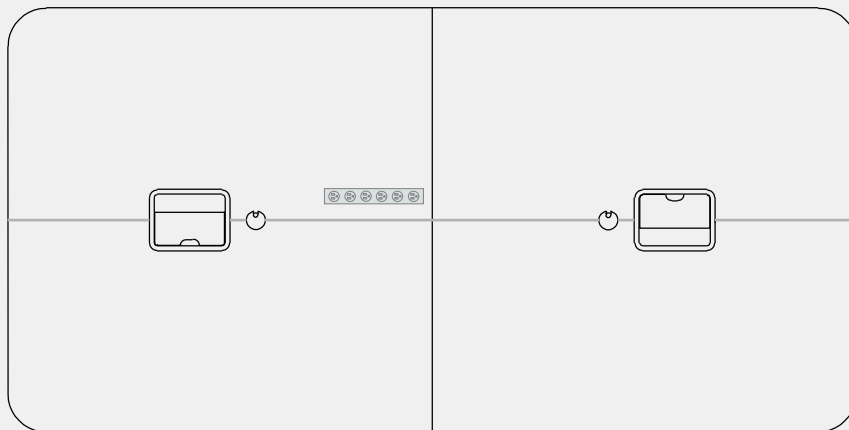
BYOT RECTANGLE | POWER + SURFACE CONFIGURATION
 Depths - 66"D, 72"D



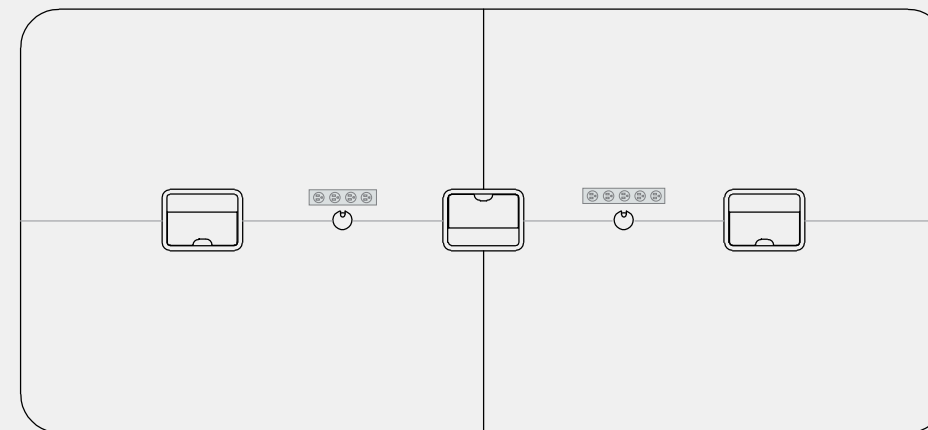
72"W - 90"D
 2 Piece Surface | 2 Bases | 1 Bento + 3 Under Surface Power



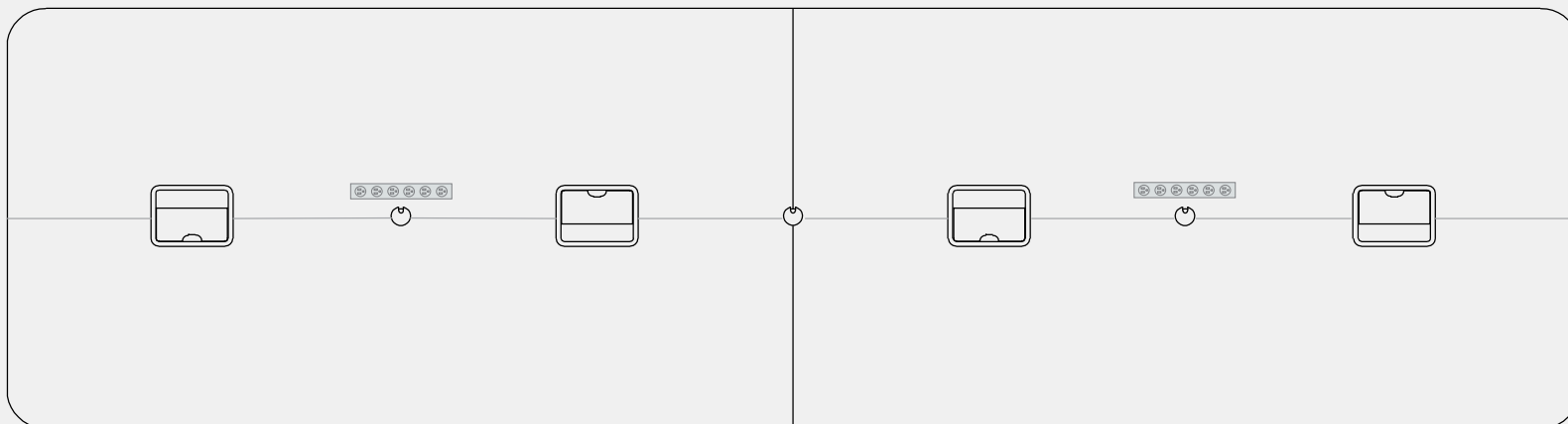
96" - 120"D
 2 Piece Surface | 2 Bases | 2 Bento + 6 Under Surface Power



132"W
 4 Piece Surface | 3 Bases | 2 Bento + 6 Under Surface Power



144"W - 204"D
 4 Piece Surface | 3 Bases | 3 Bento + 9 Under Surface Power

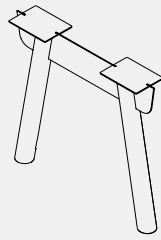
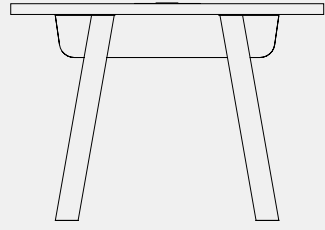


216"W - 240"D
 4 Piece Surface | 2 Bases | 4 Bento + 12 Under Surface Power

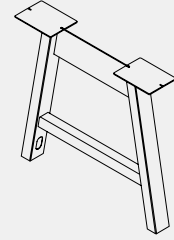
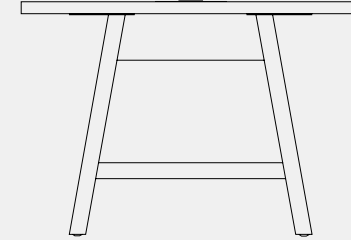
Sectioned tops will occur when the top is larger than 60"D. The top will be split into sections as shown that ship with connecting hardware.

BYOT RECTANGLE SEATED | BASE

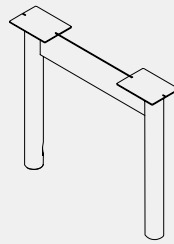
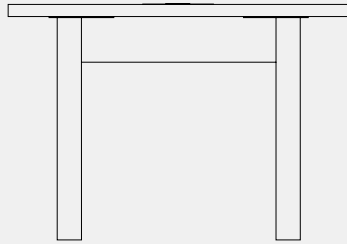
HASHI



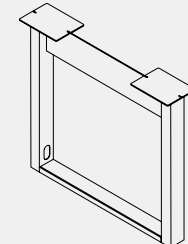
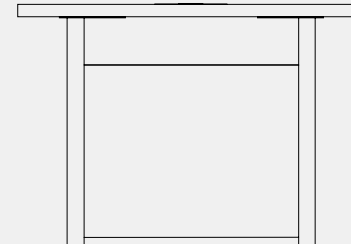
FARM



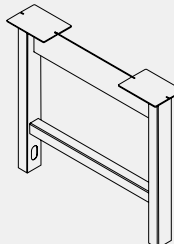
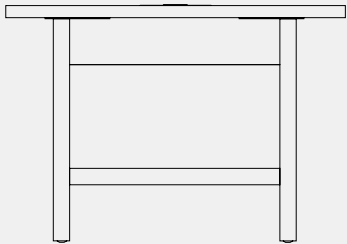
PILLAR



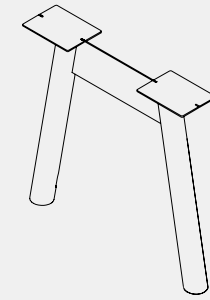
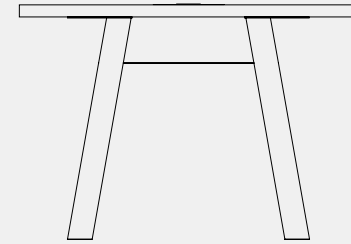
LOOP



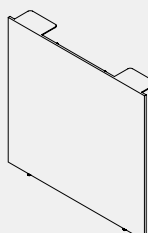
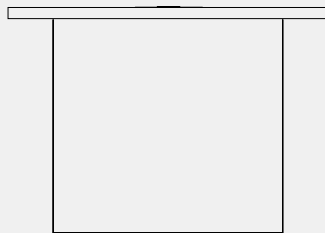
FACTORY



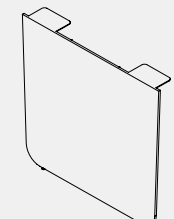
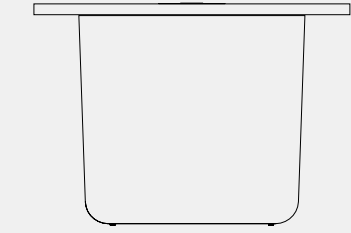
SLIM



FIN

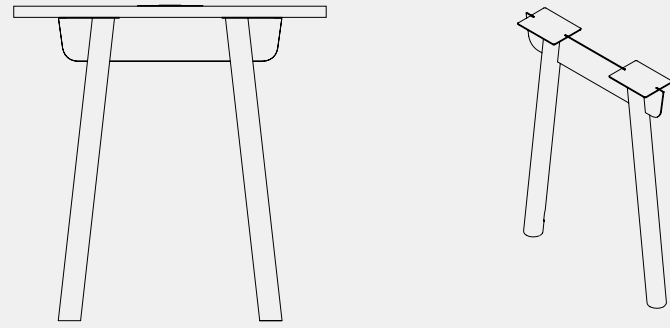


MAST

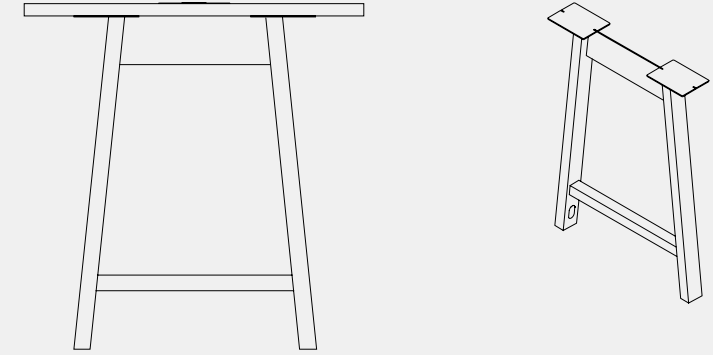


BYOT RECTANGLE BAR | BASE

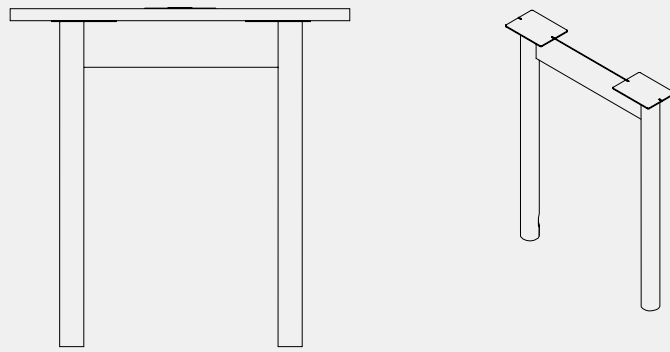
HASHI



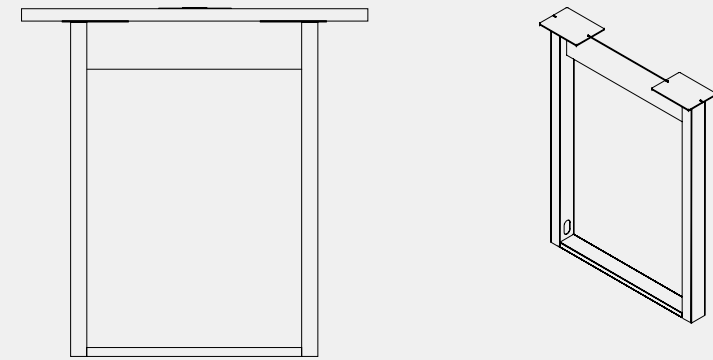
FARM



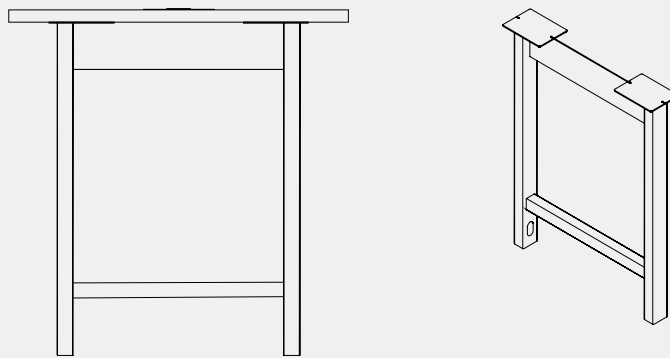
PILLAR



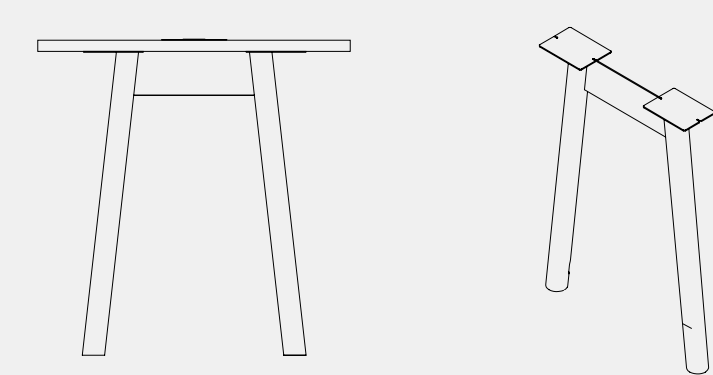
LOOP



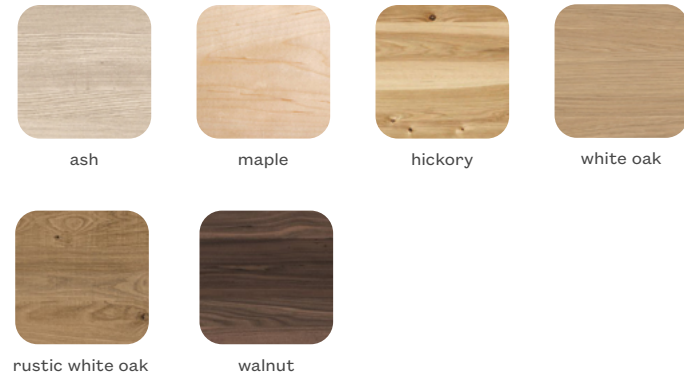
FACTORY



SLIM

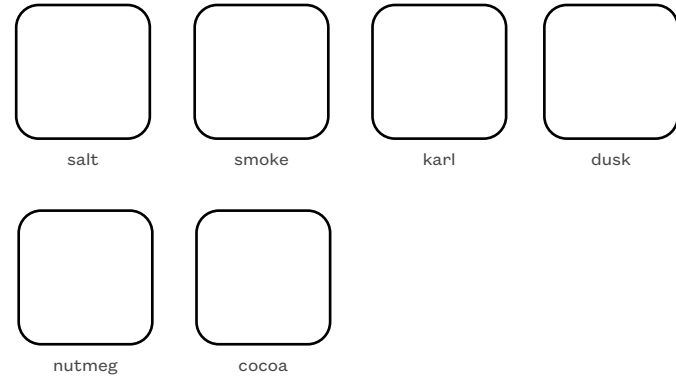


VENEER

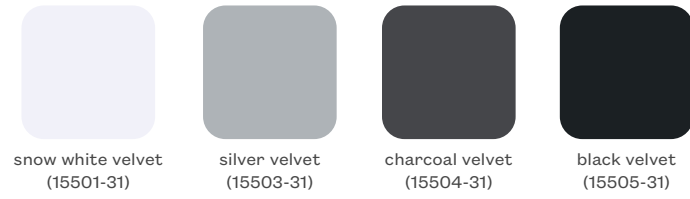


WRAPPED LAMINATE

**woodgrains contain texture*



SOFT TOUCH LAMINATE



LAMINATE

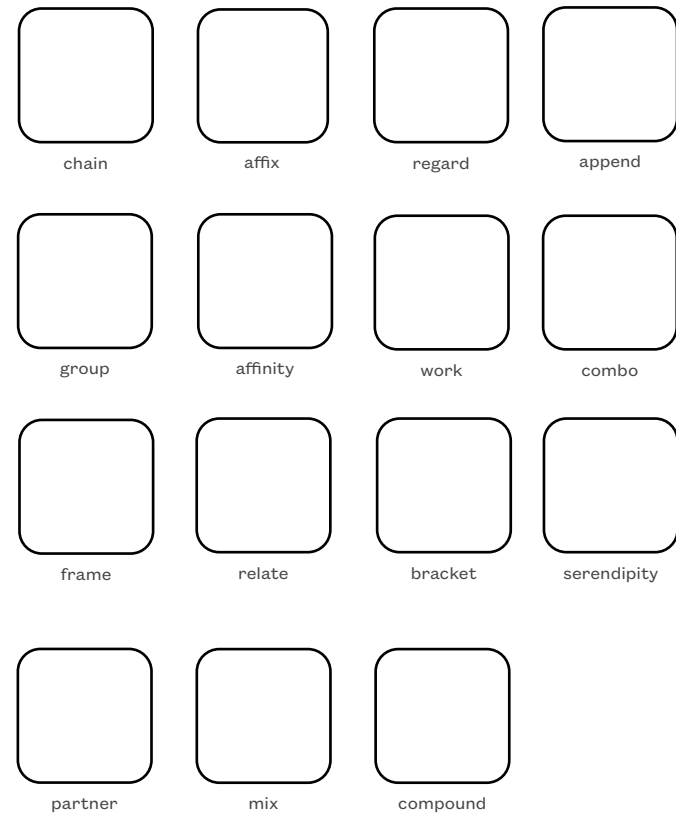


METAL

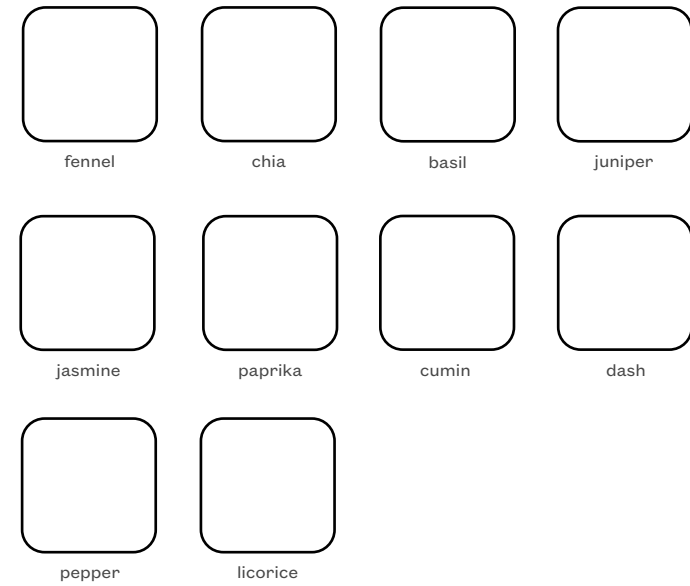


WOOL

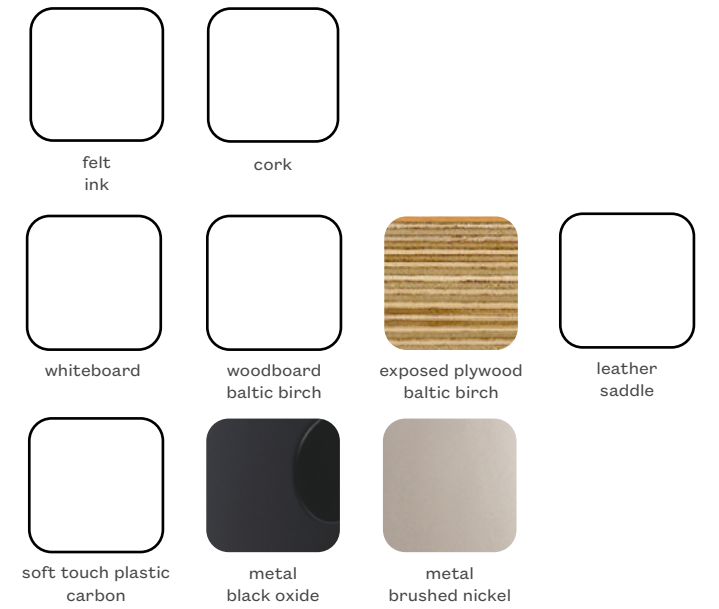
**additional colorways available at a premium*



PET



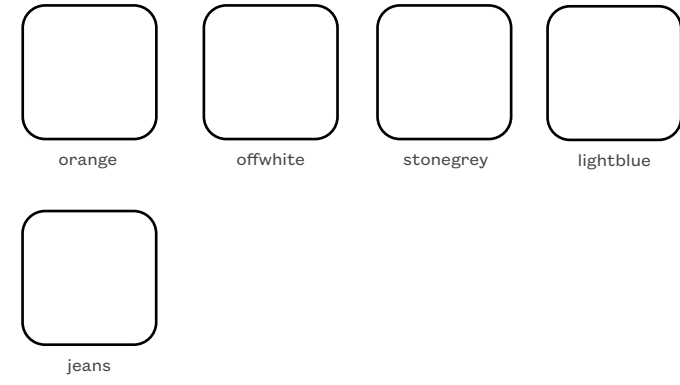
MISCELLANEOUS



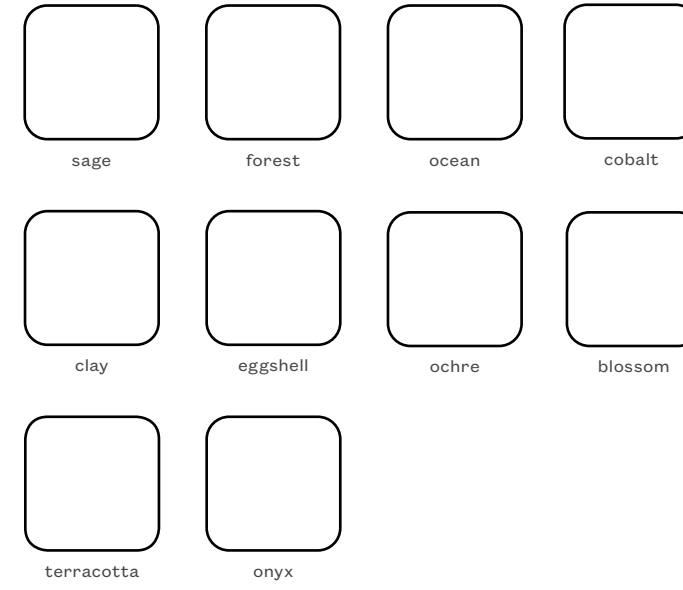
SOFT TOUCH GLASS



BUZZIFELT



BIO PLASTIC



BYOT RECTANGLE | SUSTAINABILITY

SCS IAQ GOLD

SCS Global Services certified for low VOC emissions with the most transparent indoor air quality (IAQ) standard for furniture and building materials. The Indoor Advantage and Indoor Advantage Gold standard aligns with both ANSI/BIFMA M7.1 and X7.1, and CA 01350. It is recognized by the EPA and GSA, and qualifies for many building rating systems, including LEED v4, BREEAM, WELL Building, and Living Building Challenge.

HPD TESTED

The HPD provides a chemical inventory of a building product and characterizes the level of concern about each ingredient. Most, if not all, of the chemicals in the product are disclosed by Pair, providing greater transparency in selecting products for buildings.

Untethered Power System:

This HPD includes the Pair product lines for workstations: SWING, SWING JR., SIMPLE BEAM, and OLLI. These systems are comparable in product attributes because they include a freestanding beam for power and data distribution. The power system can be used to delineate space and support various modes of individual and collaborative work.

Fabric:

This HPD covers fabric accessories to the Pair Product lines. Traverse from focus work to a collaborative environment in minutes by enhancing your workspace with Sidekicks offering screening and seating solutions designed to fit the needs of any workplace. Includes products: OLLI/SWING, POWER SLEEVE, BYOT POWER SLEEVE, FELT CABLE MANAGER, SWING BEAM MOUNTED SCREEN, SWING MODESTY, OLLI CUSHION, OLLI BUTTERFLY SCREEN, MIX DIVIDER SCREEN, HANGING BOARD, and HANGING SCREEN.

Metal & Wood:

This HPD covers wood and metal accessories to the Pair Product lines. Traverse from focus work to a collaborative environment in minutes by enhancing your workspace with Sidekicks and Elements designed to fit the needs of any workplace. Products included in this category: PLANTER HOOK, OLLI COAT RACK, OLLI FRAME, OLLI MEETING TABLE, STACKABLE CADDY, STACKABLE PLANTER, STACKABLE STORAGE, OLLI PLUG, BAG HOOK, TUCK, MIX INFILLS, SWING END PANEL, FADE CABLE CHASE, and NEST.





madebypair.com

Email hello@madebypair.com for more information.