

Swing No Surface.

Swing No Surface: The power is in your hands.

Swing's horizons bring variety to any space. now even thinner profile with No Surface. Removing the surface allows users to configure for tight spaces and floorplans by reducing the gap between desks. Choose your level of privacy; Swing Low with or without a Beam Mounted Screen, or Swing High with hanging screens or hanging plants.



SWING NO SURFACE

CLUSTER SIZE

2PK | 4PK | 6PK | 8PK | 10PK

SIZES

Module: 48 | 54 | 60 | 66 | 72
Height: Low (29"H) | High (60"H)
Overall Depth: 14"D

DESIGN DETAILS

Glide: 1.5" Leveler

POWER

Duplex: (2) per user
Circuit Distribution: 2PK 2-Circuits | (2) Line 1, (2) Line 2
4PK 2-Circuits | (4) Line 1, (4) Line 2
6PK 3-Circuits | (4) Line 1, (4) Line 2, (4) Line 3
8PK 4-Circuits | (4) Line 1, (4) Line 2, (4) Line 3,
10PK 4-Circuits | (5) Line 1, (5) Line 2, (5) Line 3, (5) Line 4

Circuit Keying: 3+1 (default) | 2+2

Controlling Circuit Duplex: Stamped | Colored

**Controlled duplex not included unless requested*

Data: (1) Knockout per user

Data Knockout Dimension: 2.75"W x 1.375"H can accommodate 4 data port plate

Infeed (UL Listed): 72"L, Metallic Liquid Tight, Hardwired, Straight Coupler

**For additional power information and non-standard options see the Pair Power Understanding Guide*

FINISHES *(Refer to Pair Palette)*

Base: Metal
Duplex: Black | White
End Panel (UL Listed): Metal | Veneer | Laminate | Wrapped Laminate
Beam Mounted Screen: Wool
Beam Mounted Screen Frame: Metal
Hanging Screen: Wool | PET | BuzziFelt
Screen Stitching: Charcoal Grey
Modesty: Wool (metal to match base)
Planter Hook: Metal (to match frame)
Infeed Sleeve: Wool

PERFECT PAIR-ING

(Refer to Product Brochures)

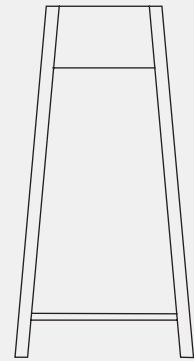
Beam Mounted Screen Divide
Belay Work



SWING NO SURFACE | HEIGHTS



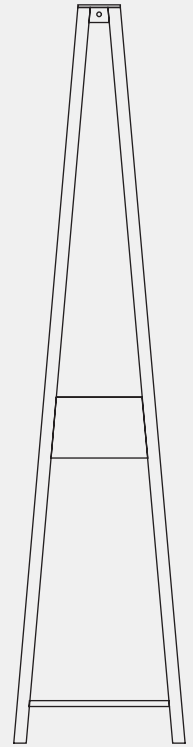
Swing No Surface, Low



28.25" H



Swing No Surface, High

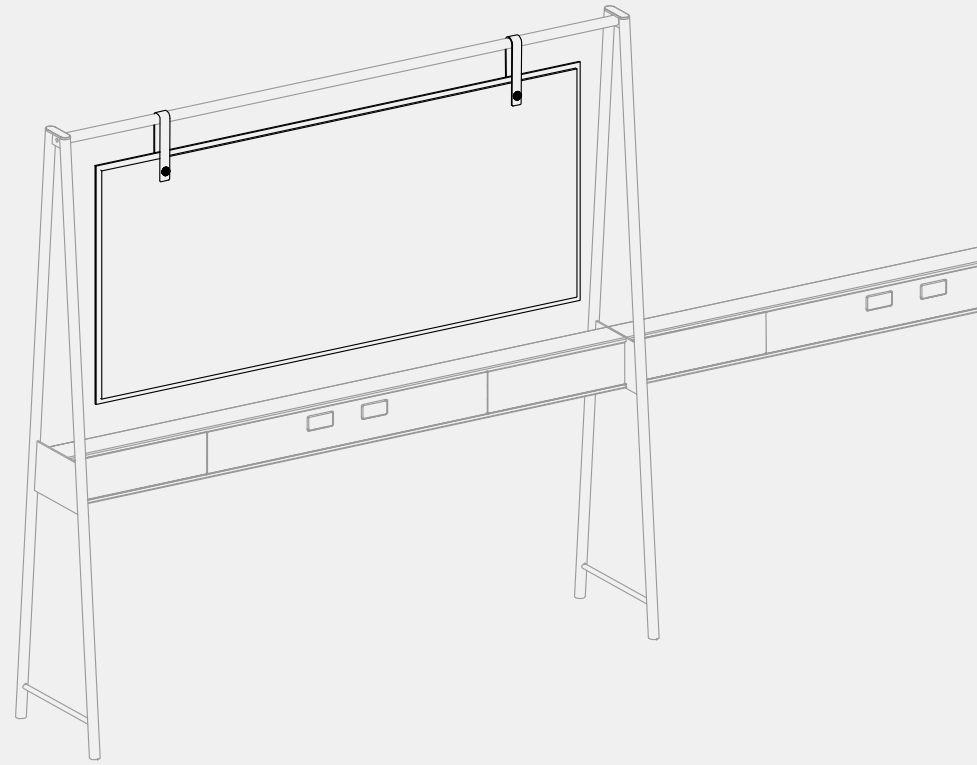


60" H

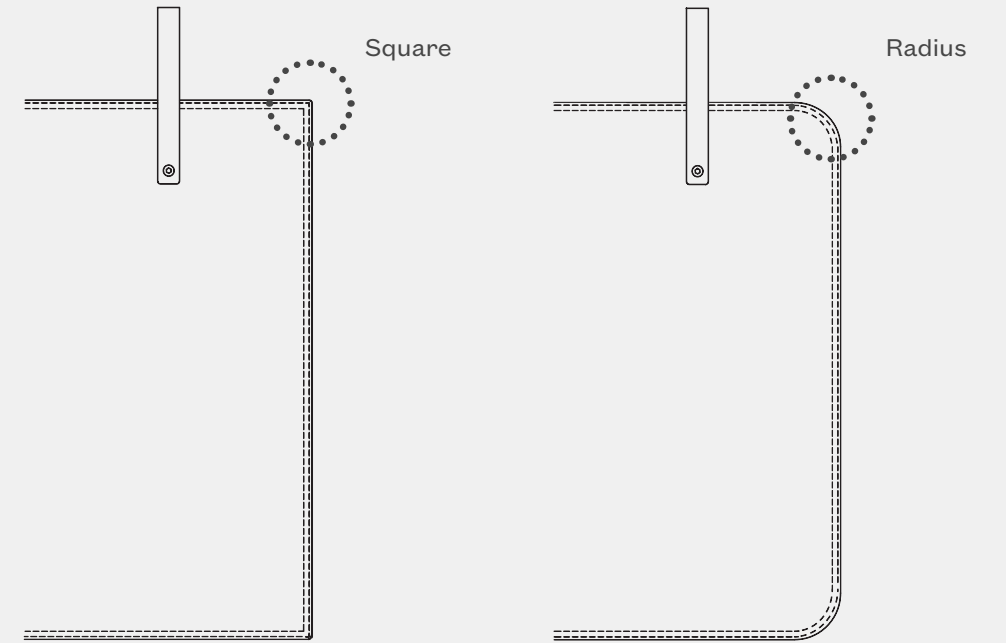
SWING NO SURFACE | SIDEKICKS

Hanging Screen
Module: 48 | 54 | 60 | 66 | 72

**only applicable on Swing No
Surface High*

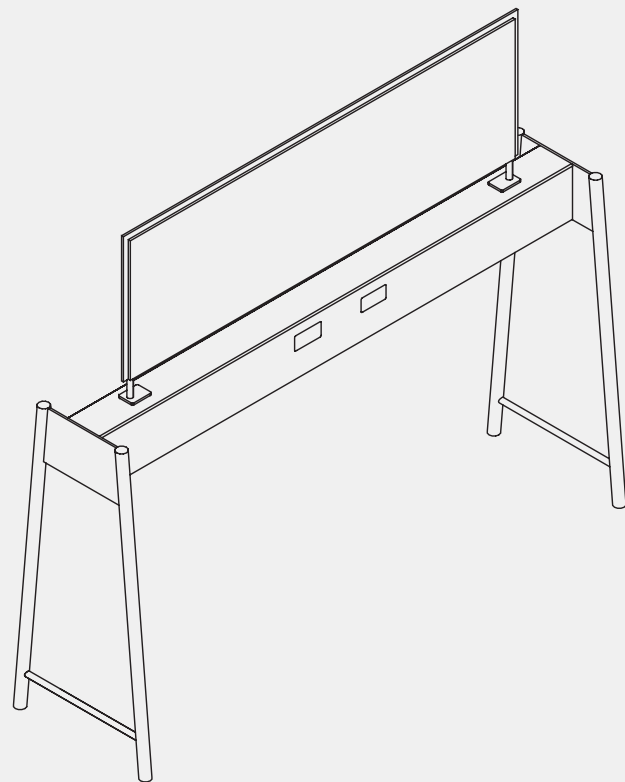


Hanging Screen Details

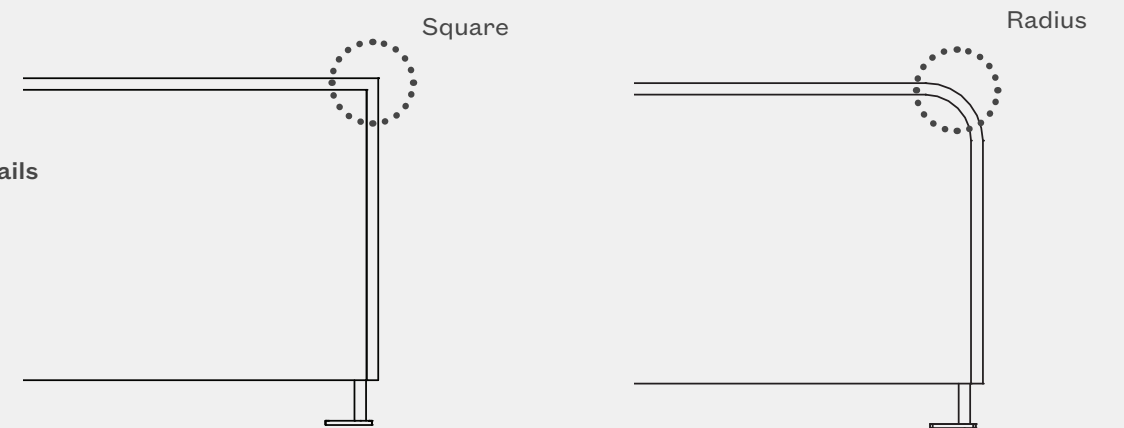


Beam Mounted Screen
Module: 48 | 54 | 60 | 66 | 72

**only applicable on Swing No
Surface Low*



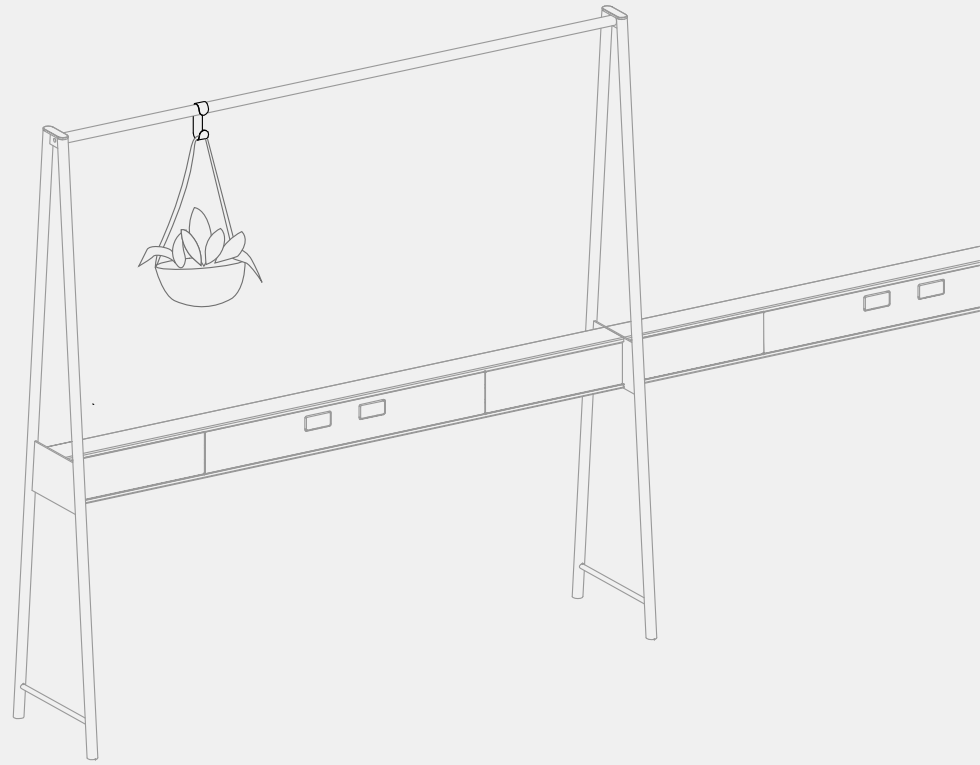
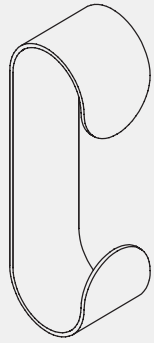
Beam Mounted Screen Details



SWING NO SURFACE | SIDEKICKS

Planter Hook
Dimensions: 1"W x 4"H

**Hanging planter not included*



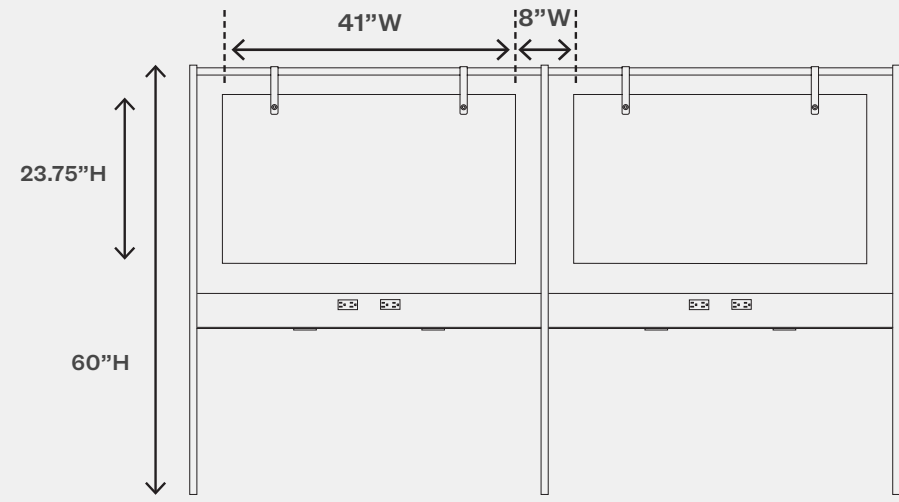
Swing Infeed Sleeve



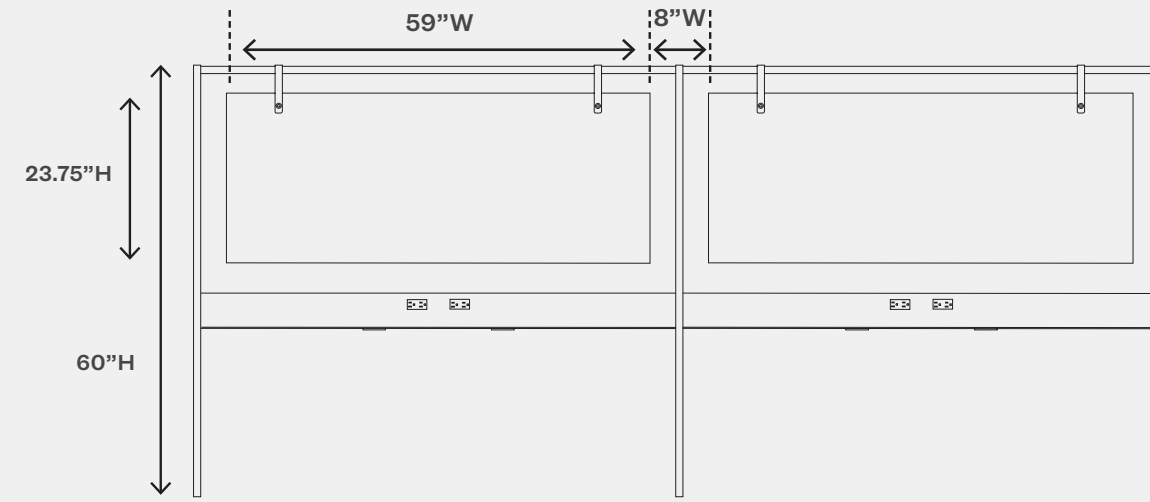
Swing Modesty
Module: 48 | 54 | 60 | 66 | 72



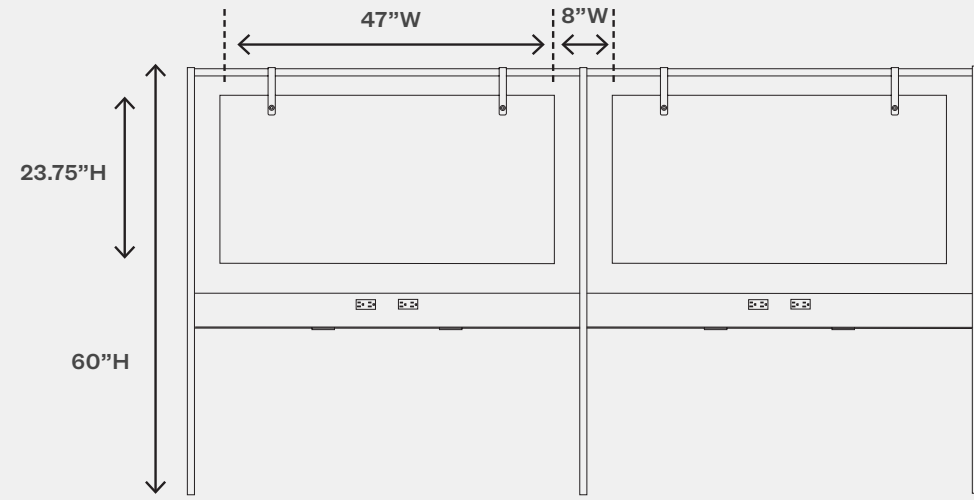
SWING | SCREENS - HIGH



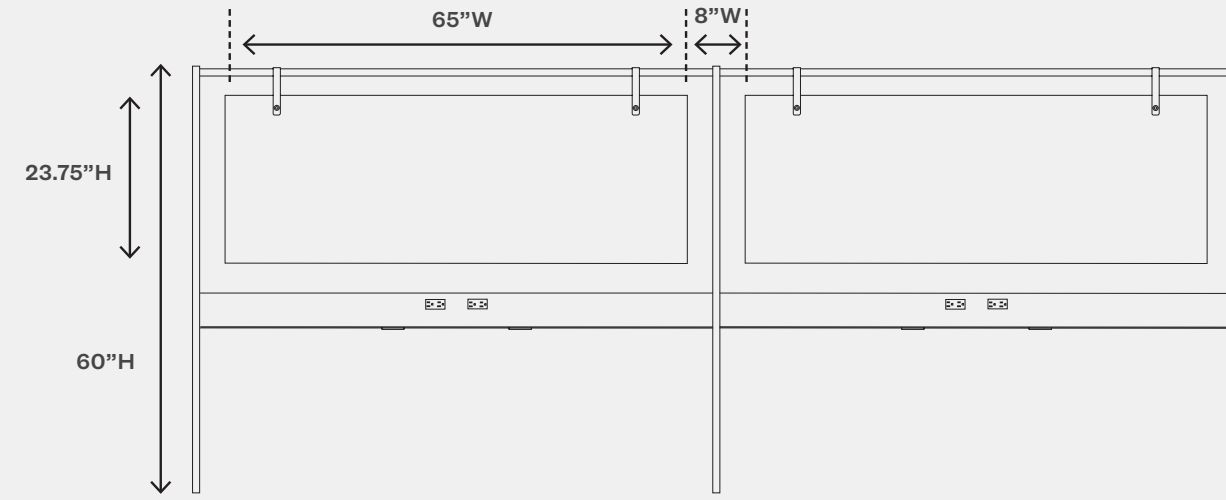
Module 48



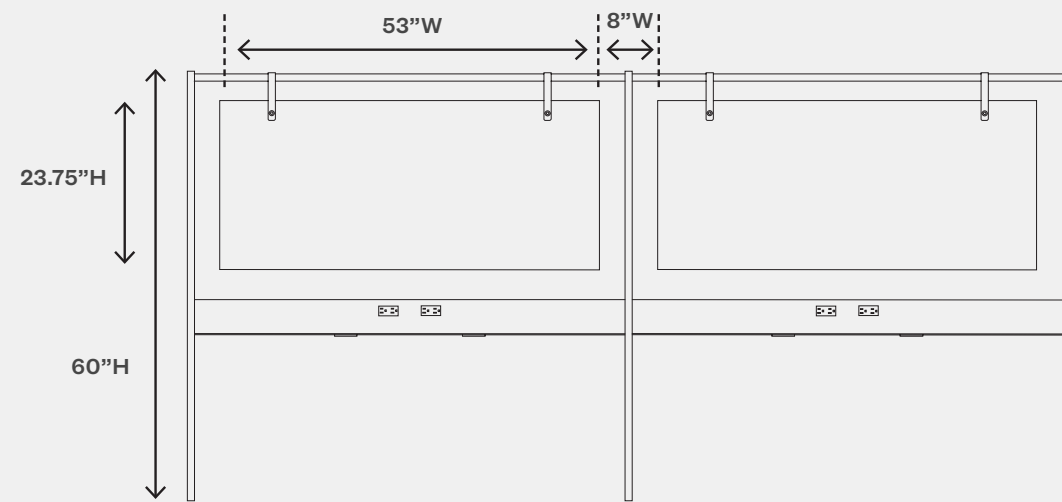
Module 66



Module 54

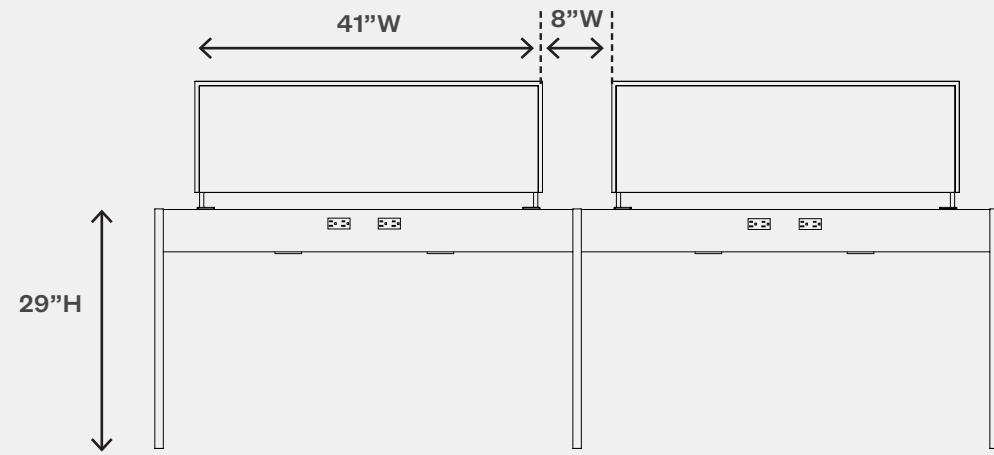


Module 72

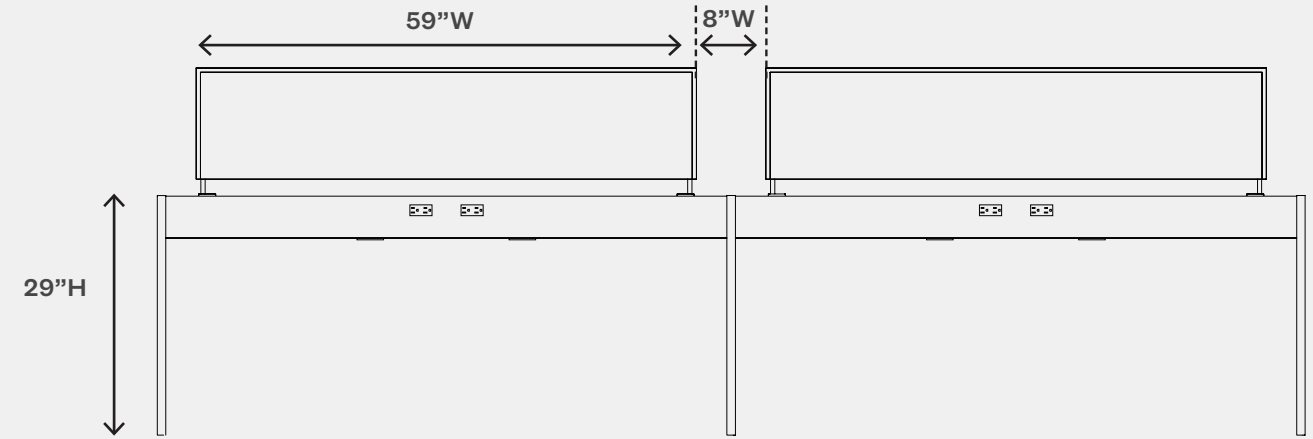


Module 60

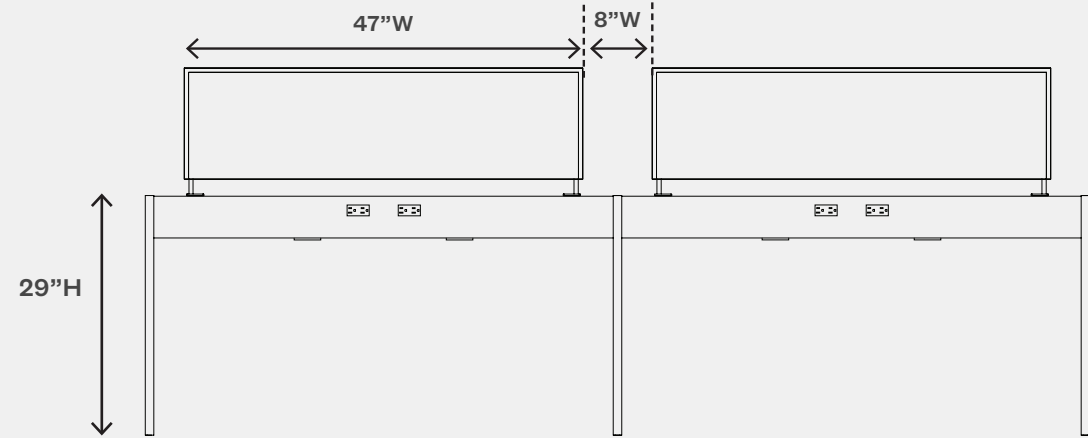
SWING NO SURFACE | BEAM MOUNTED SCREENS



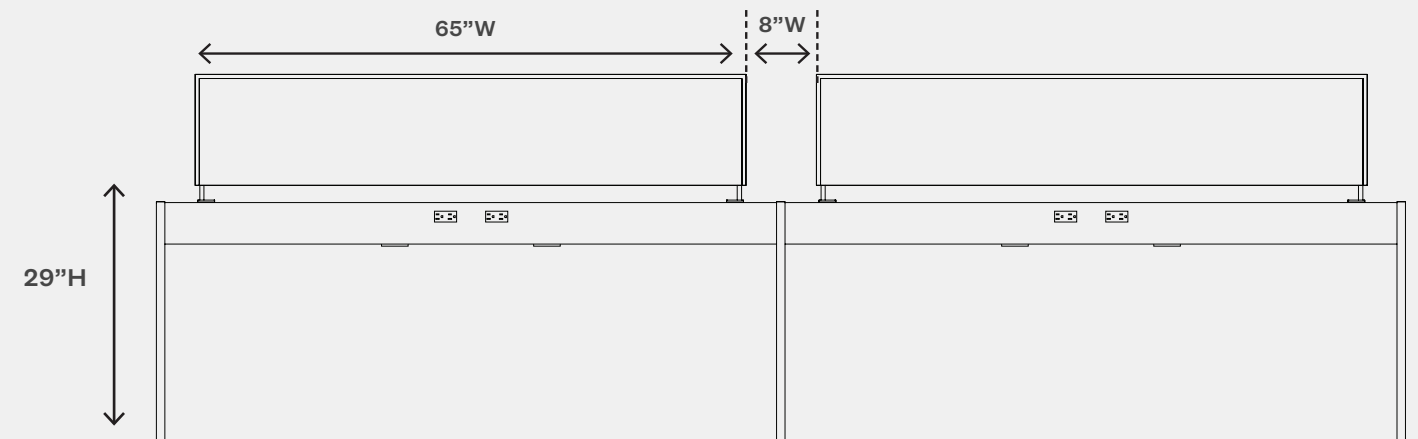
Module 48



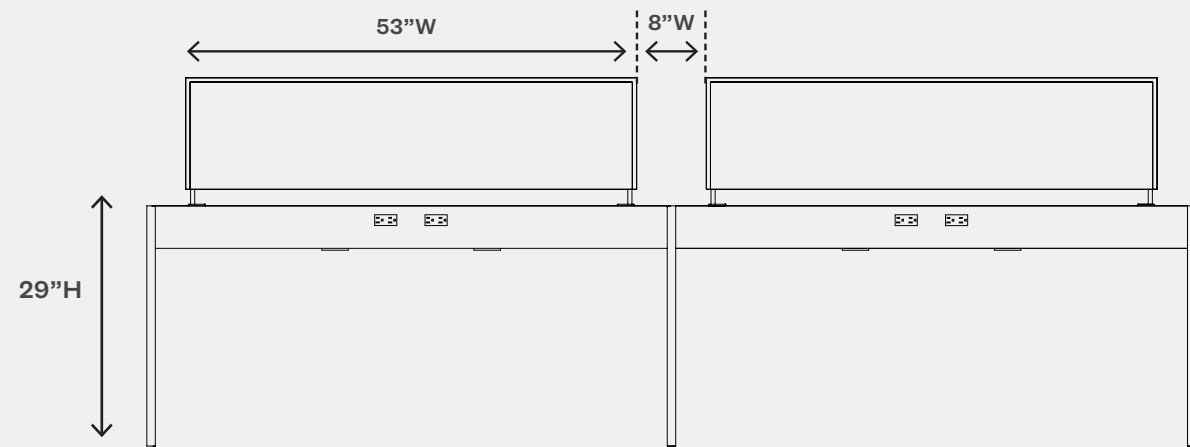
Module 66



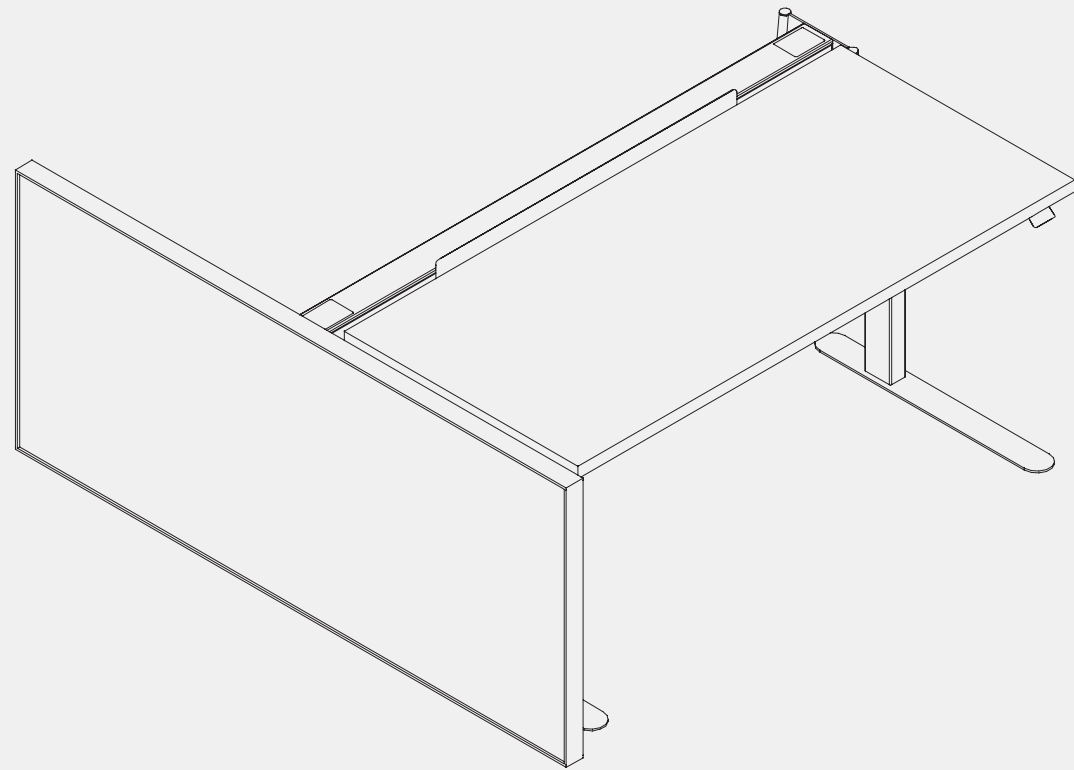
Module 54



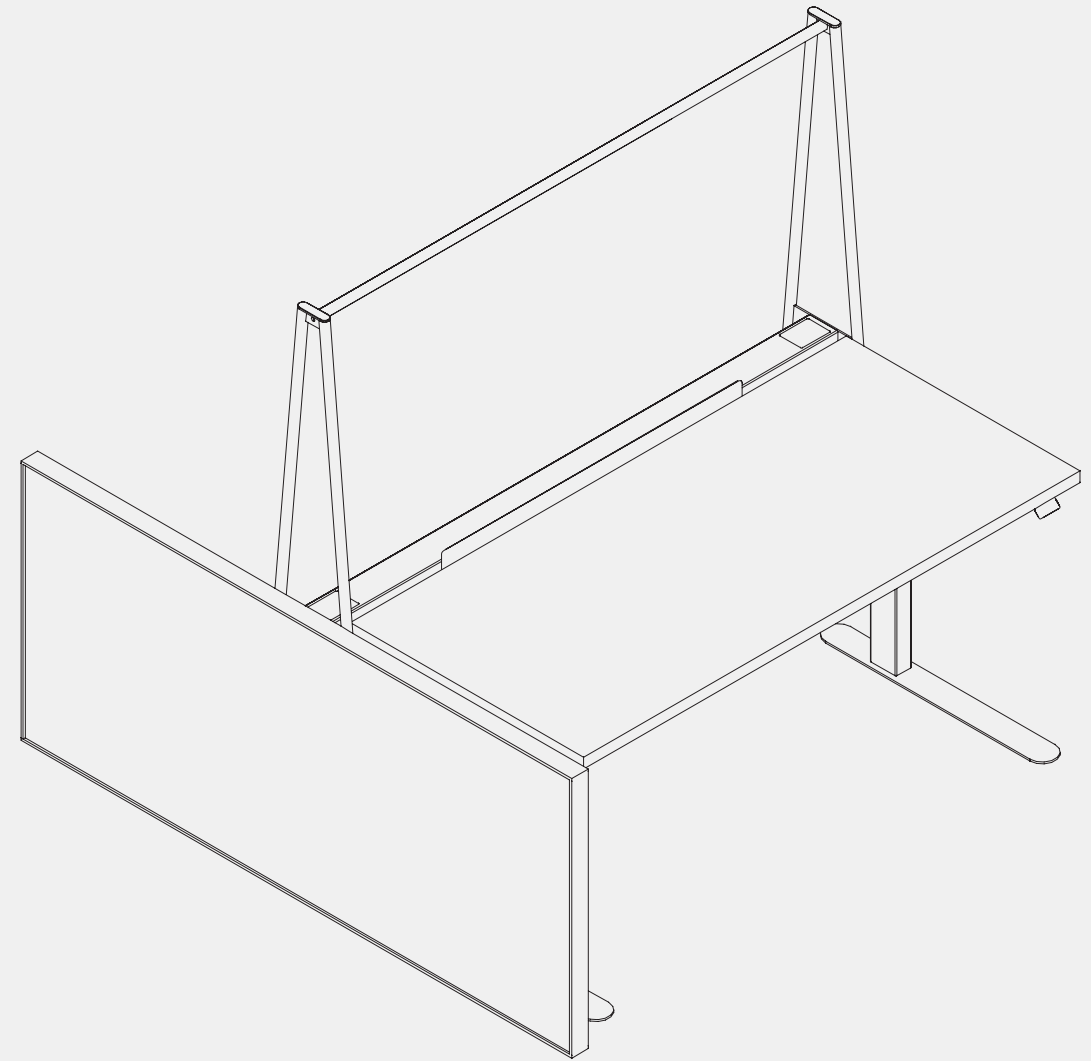
Module 72



Module 60

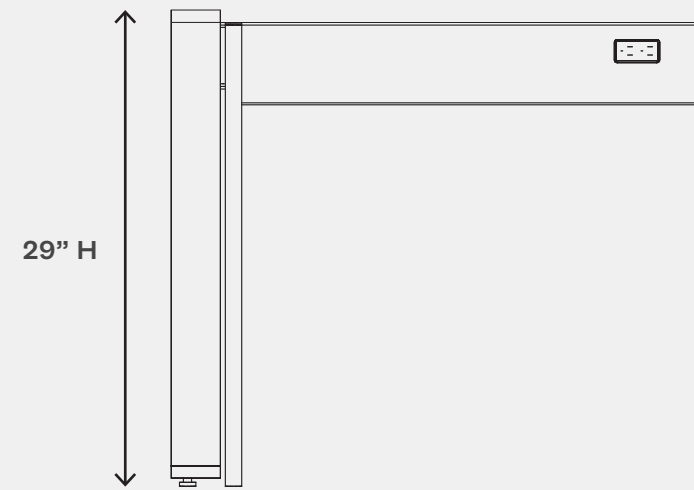


Low

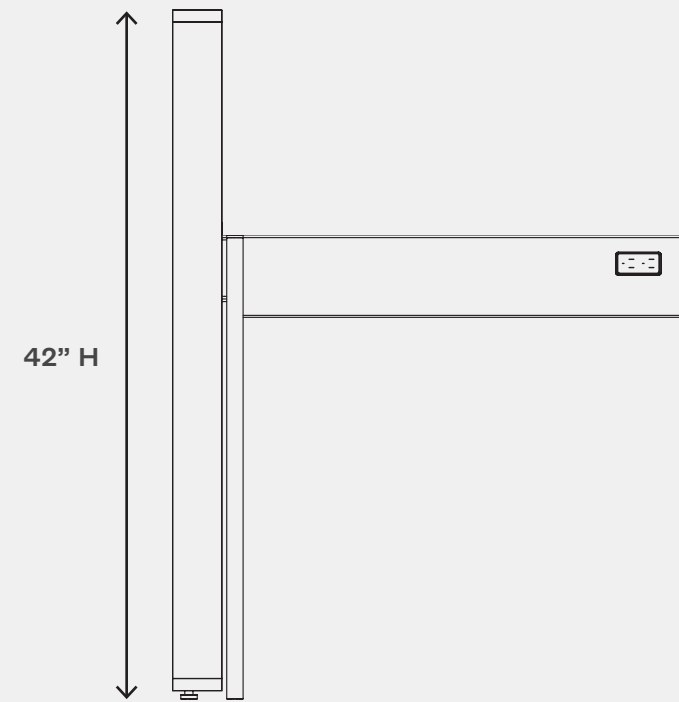


High

SWING NO SURFACE | END PANELS

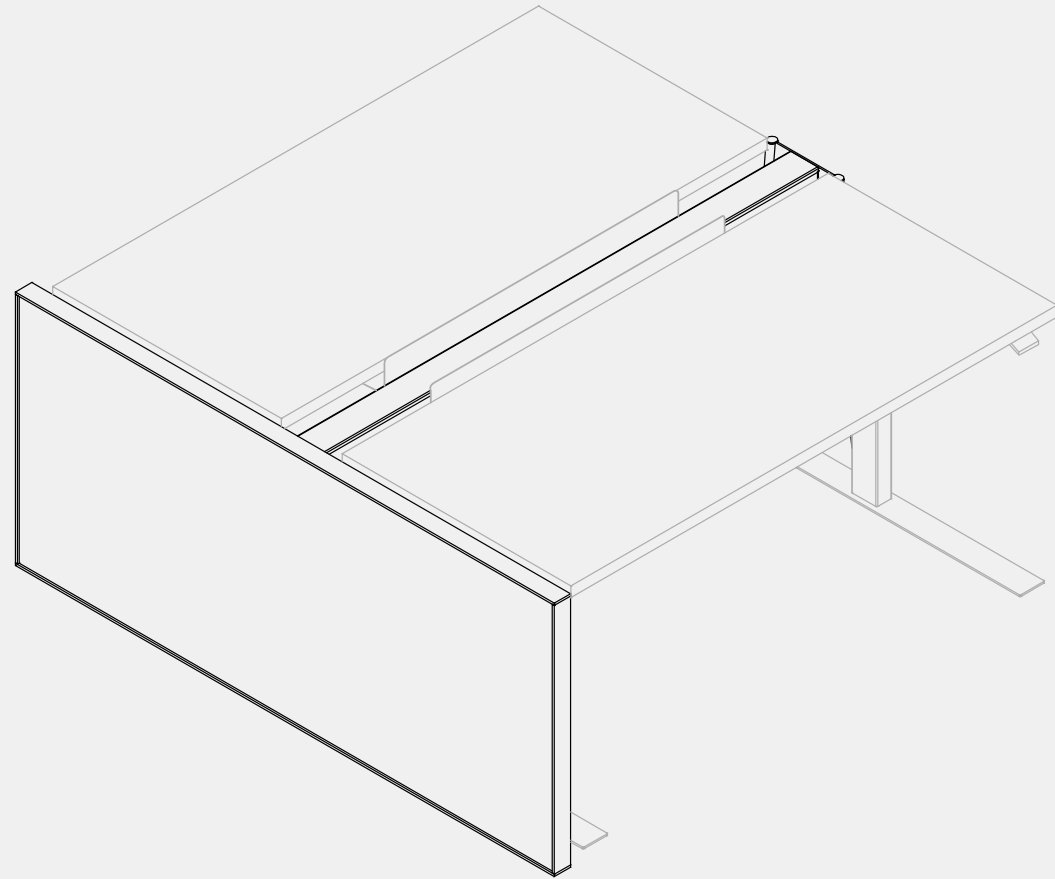


End Panel - 29"H
On Swing Low, No Surface

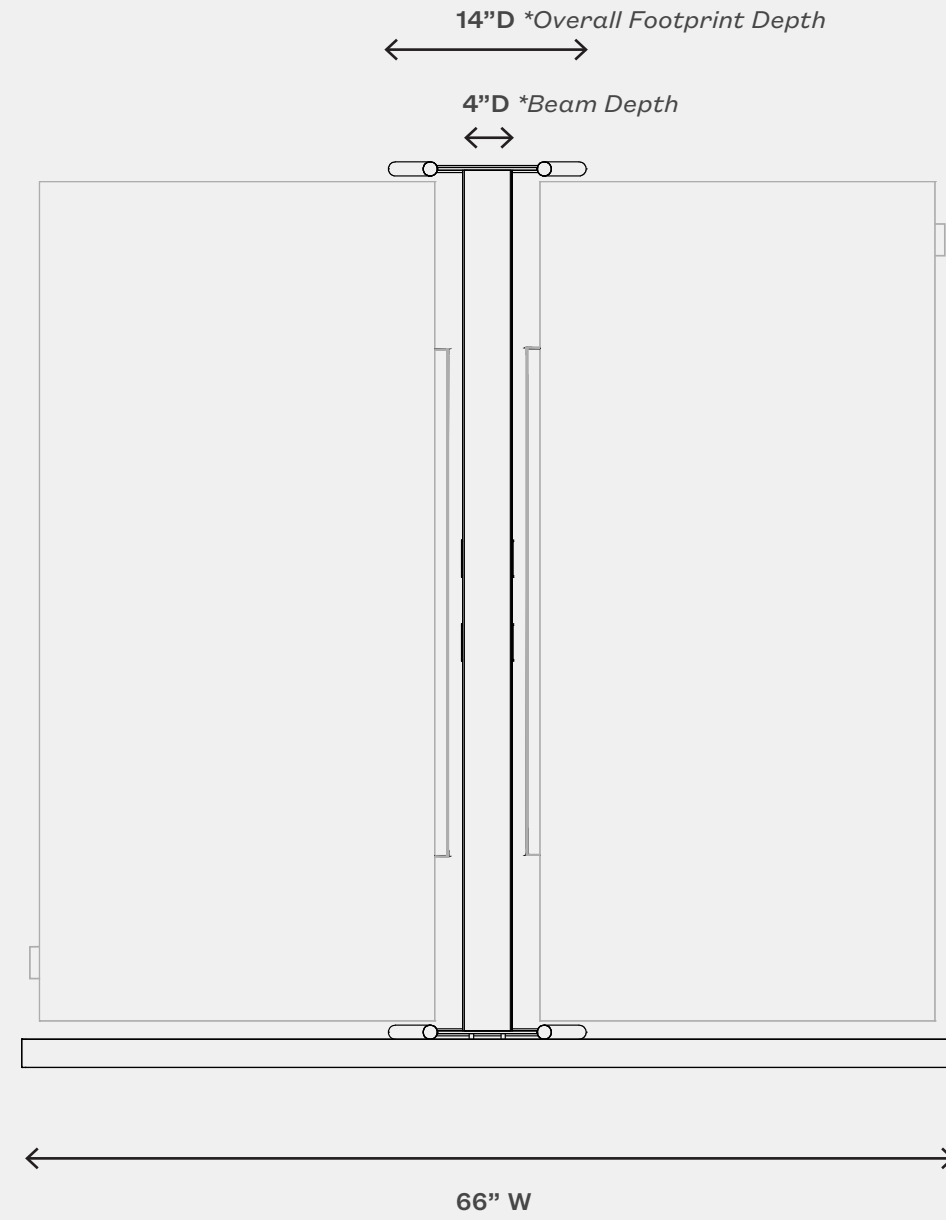


End Panel - 42"H
On Swing Low, No Surface

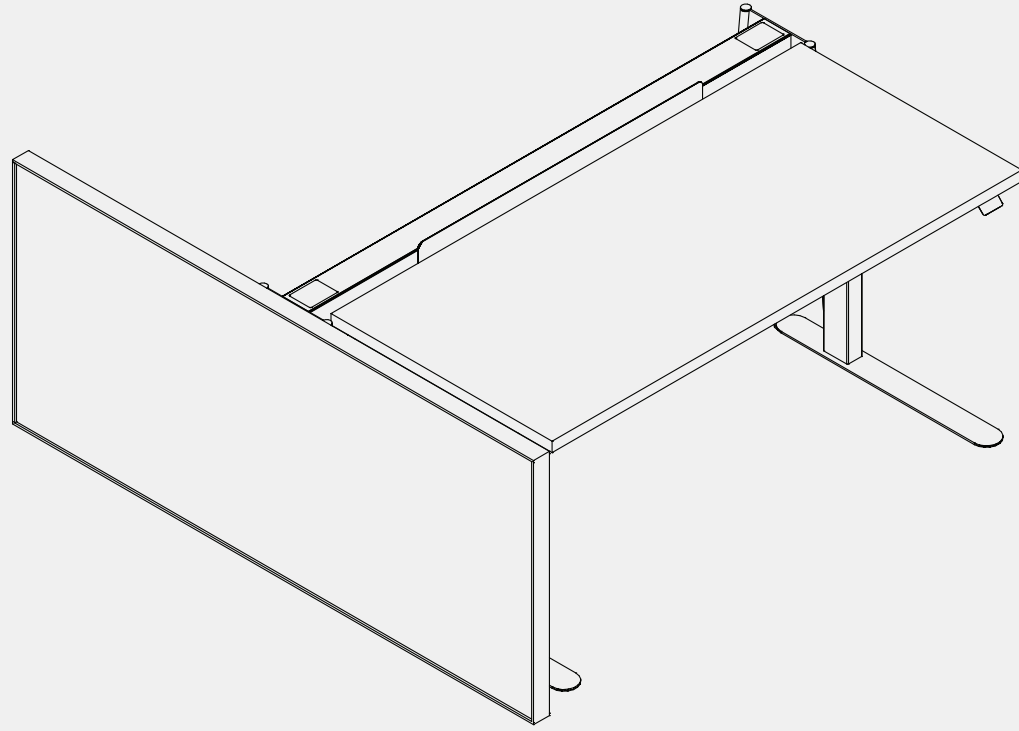
SWING NO SURFACE | END PANELS



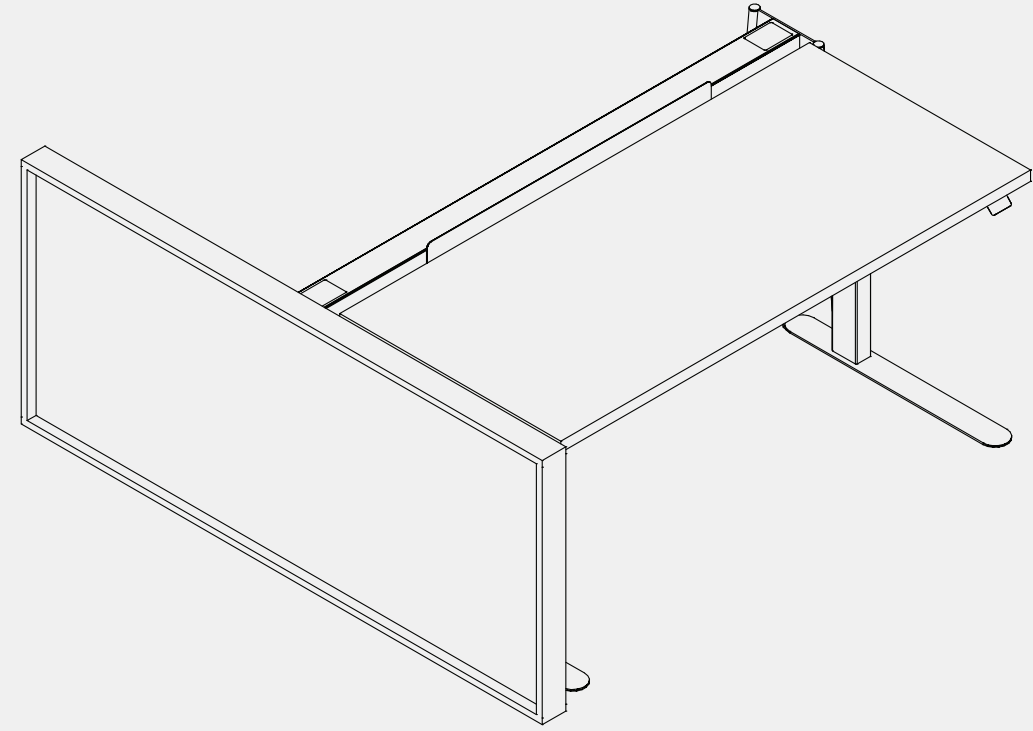
66"W for Swing with shared surface
Shown with 28"D Belay + Tuck



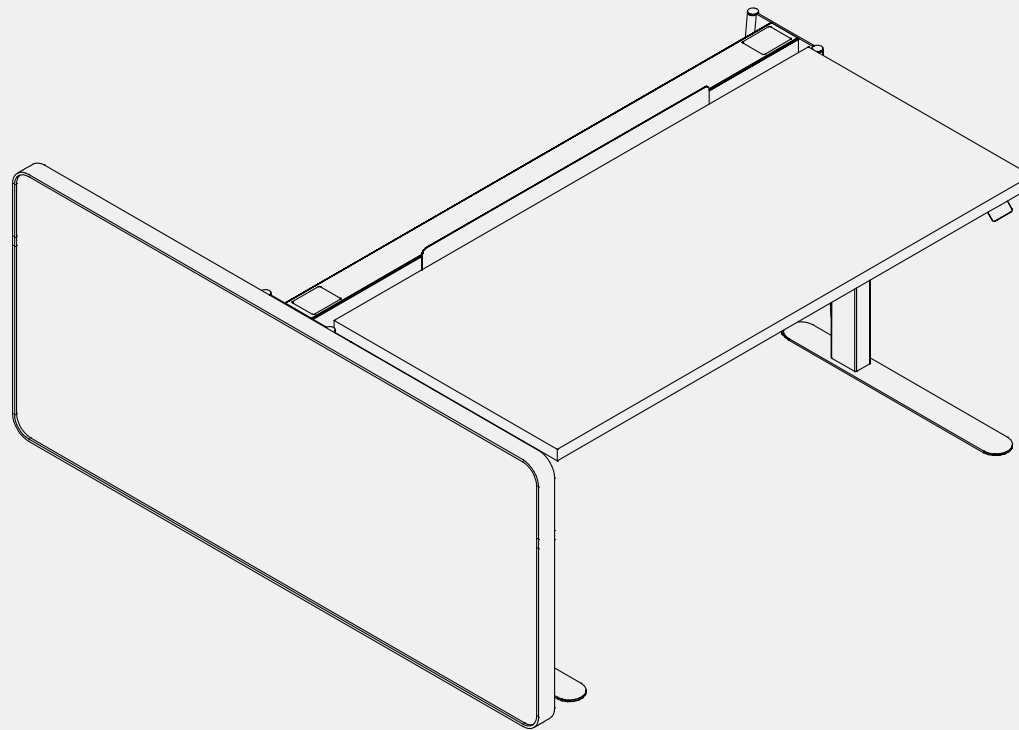
SURROUND STYLES



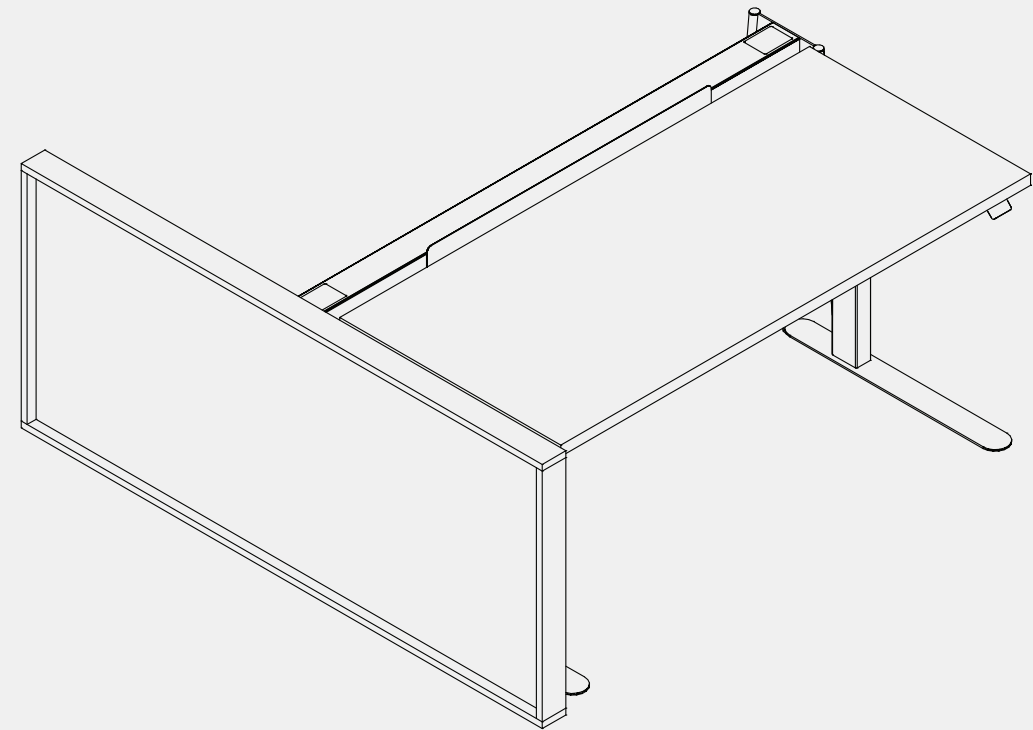
Metal Flat Bar Square Corner



Metal Tube Square



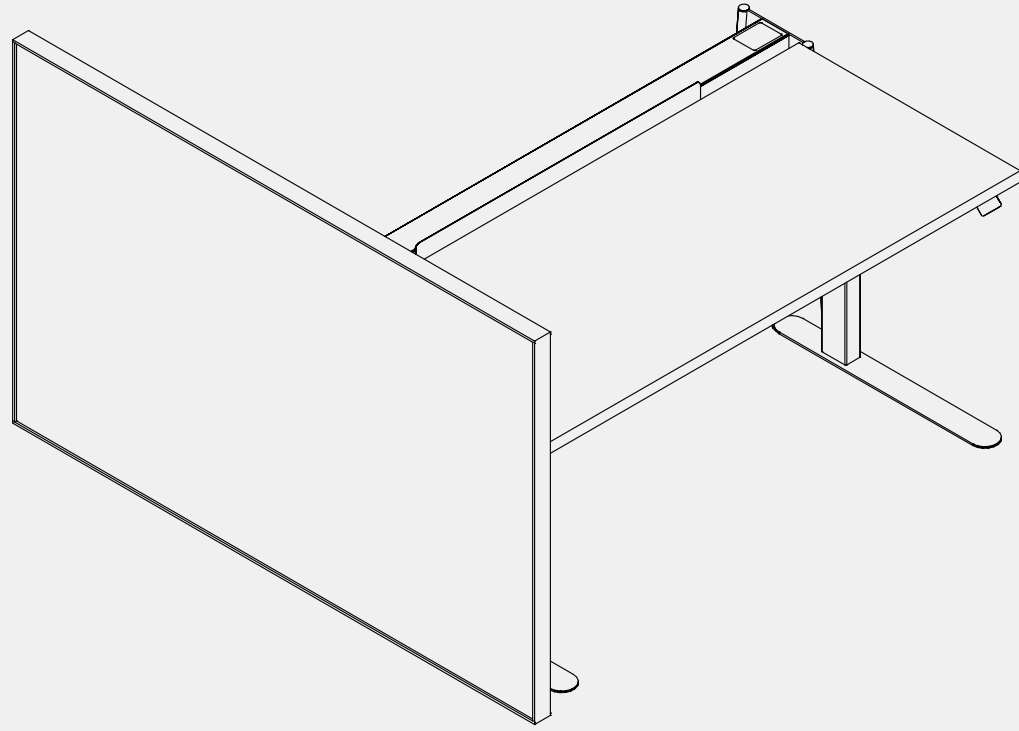
Metal Flat Bar Radius Corner



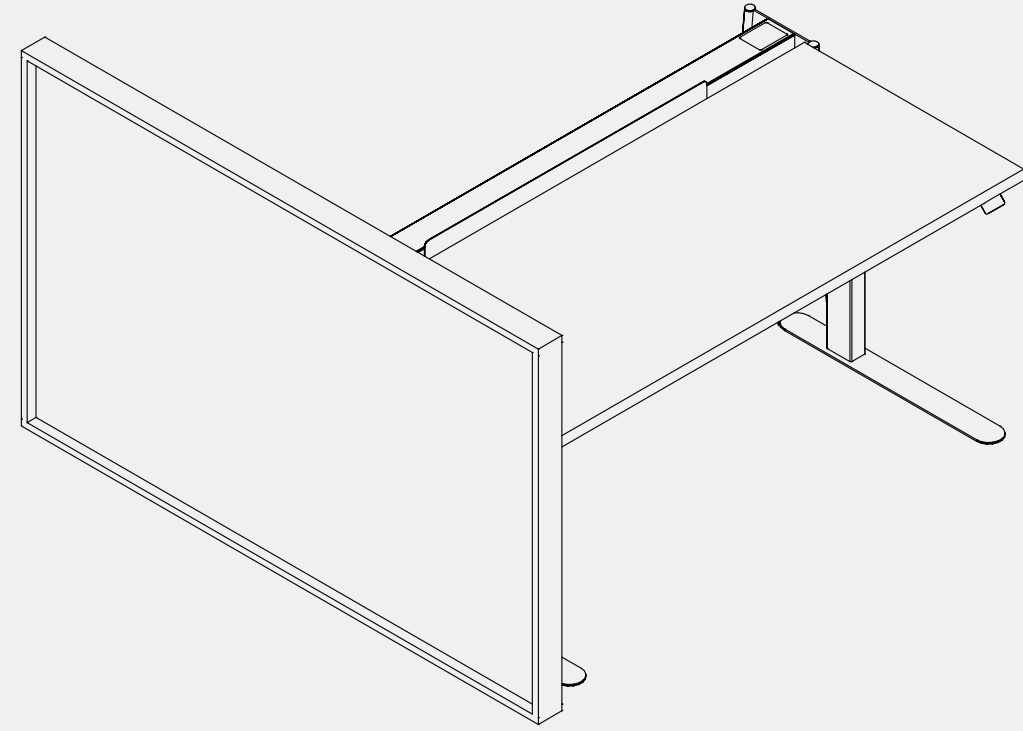
Solid Wood Surround

SWING NO SURFACE | DUAL-SIDED END PANELS | 42H

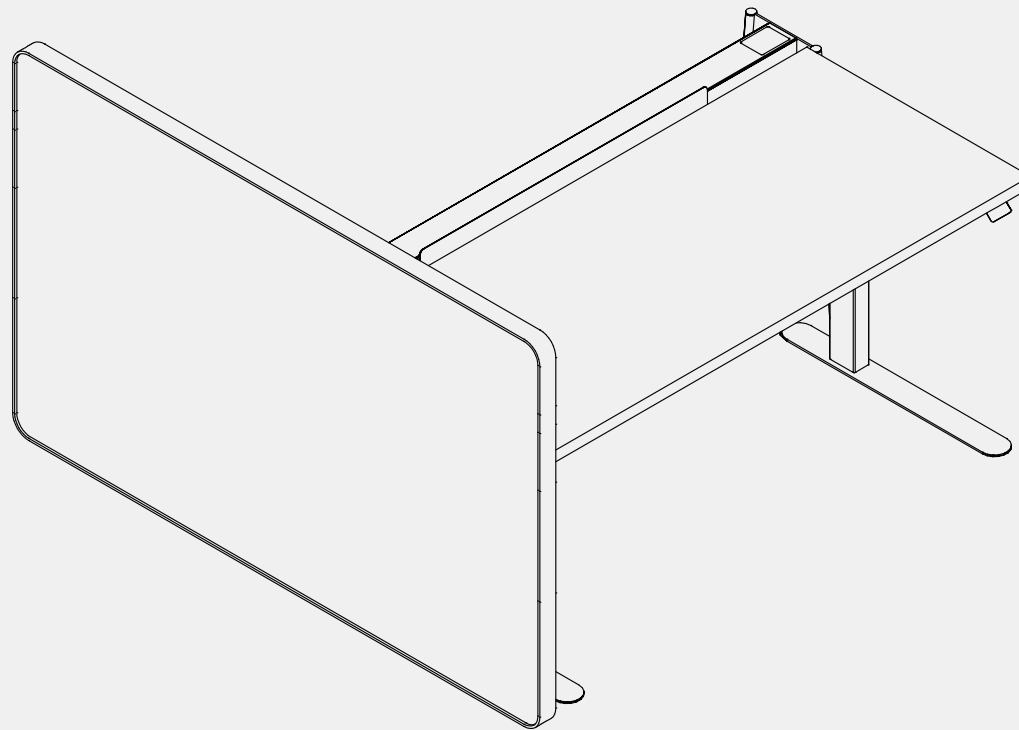
SURROUND STYLES



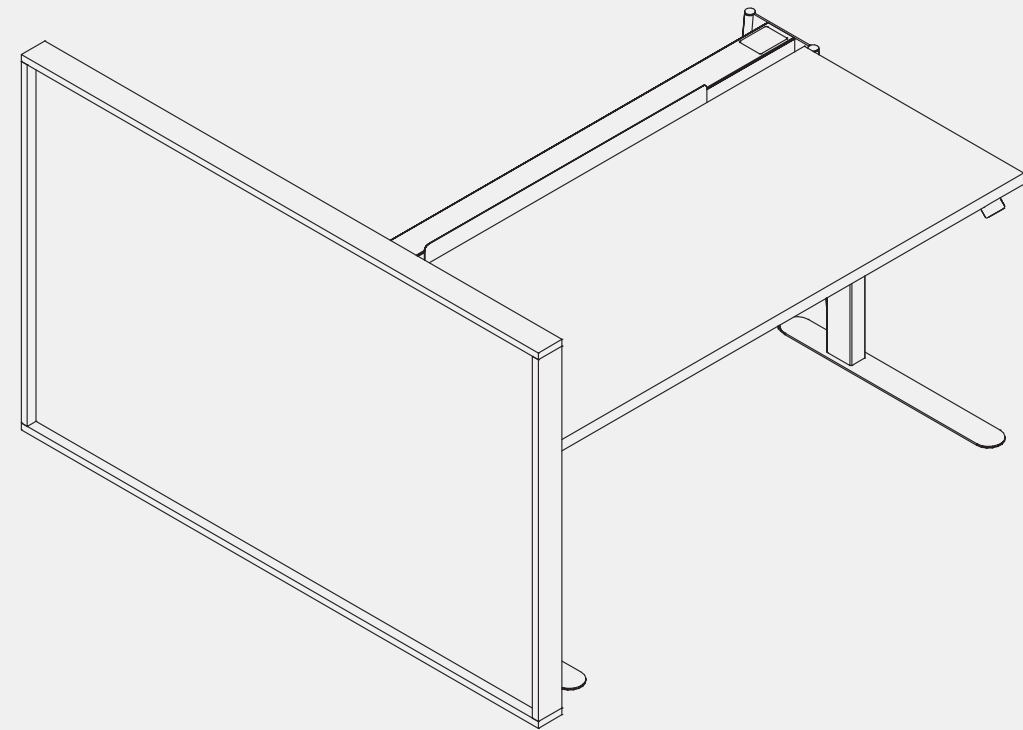
Metal Flat Bar Square Corner



Metal Tube Square



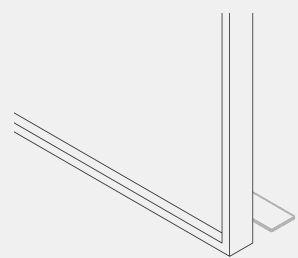
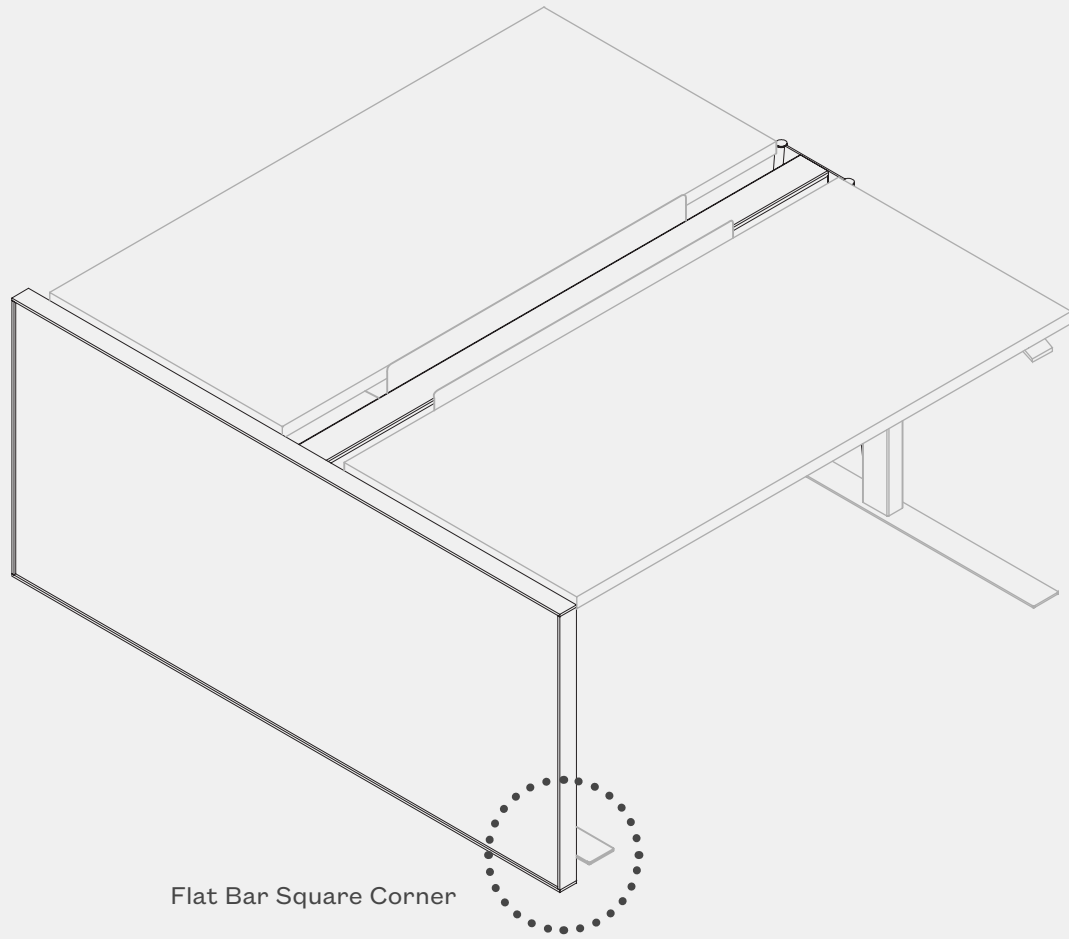
Metal Flat Bar Radius Corner



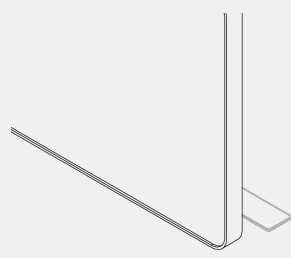
Solid Wood Surround

SWING LOW, NO SURFACE | END PANELS

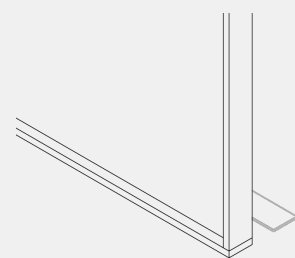
SURROUND STYLES



Metal Square Tube

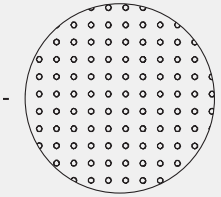
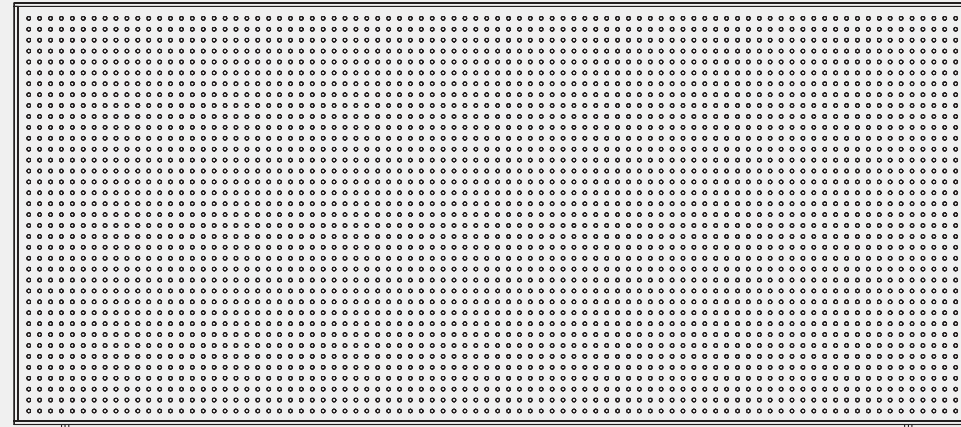


Flat Bar Radius Bar



Solid Wood Surround

INFILL STYLES

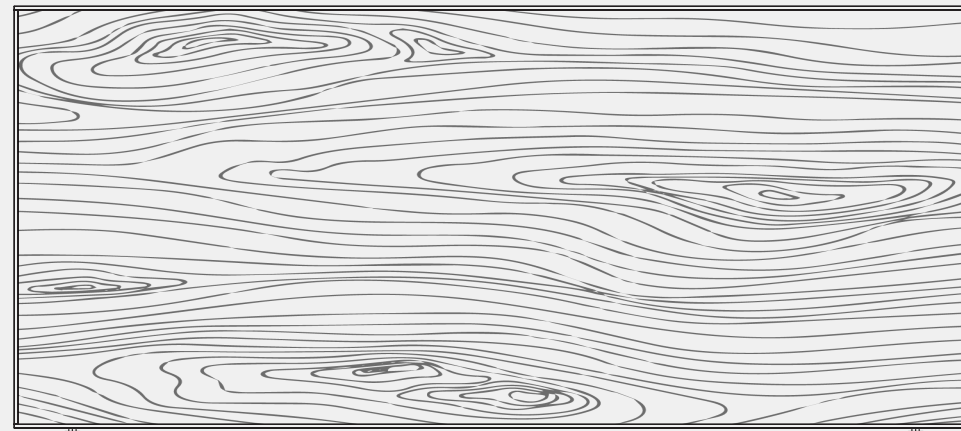


1/4" Dia Hole with 1"x1" spacing on center

Metal - Perforated

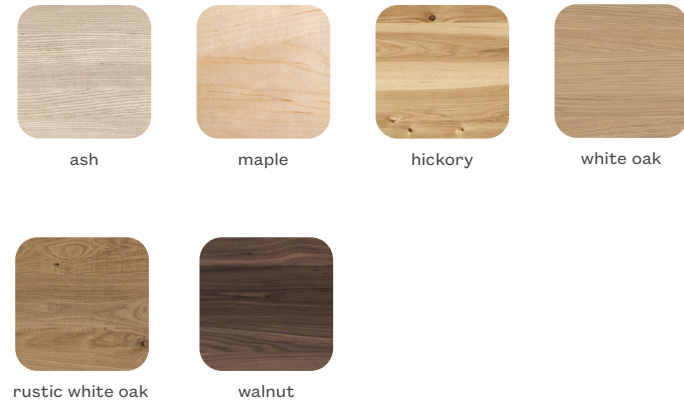


Metal - Solid



Veneer | Laminate | Wrapped Laminate

VENEER

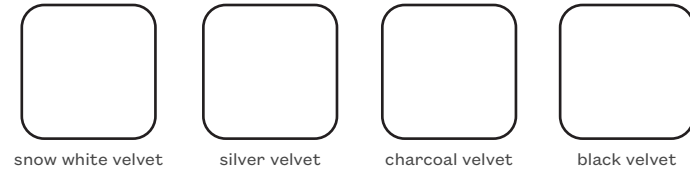


WRAPPED LAMINATE

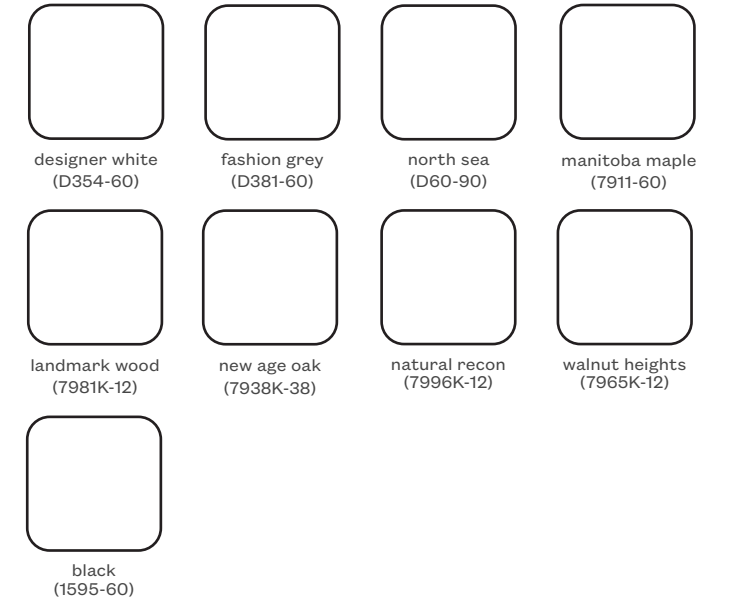
**woodgrains contain texture*



SOFT TOUCH LAMINATE



LAMINATE



METAL

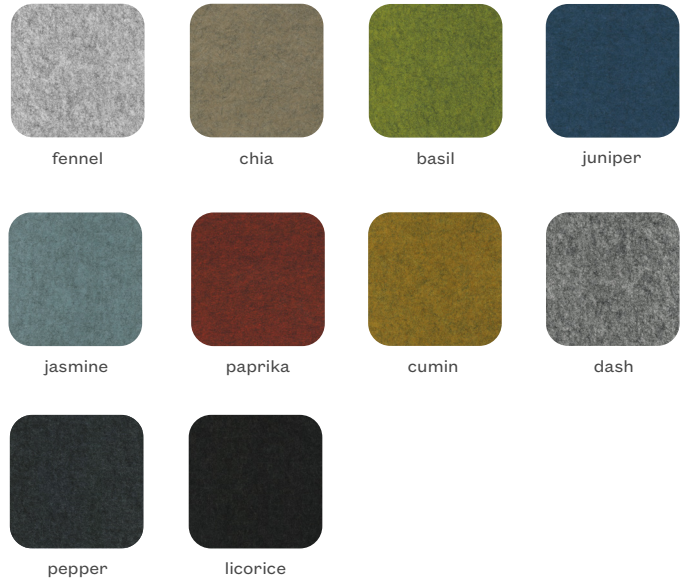


WOOL

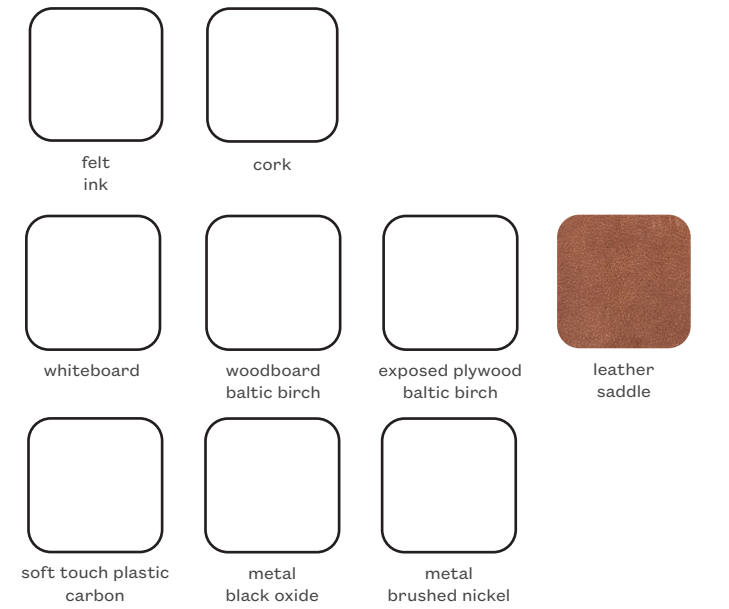
**additional colorways available at a premium*



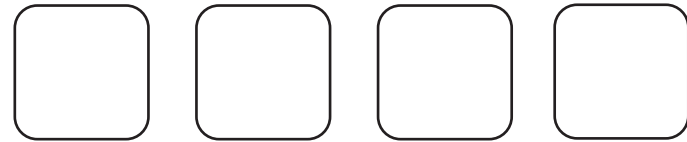
PET



MISCELLANEOUS



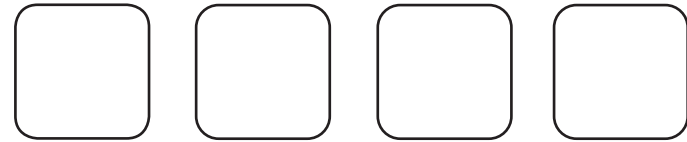
SOFT TOUCH GLASS



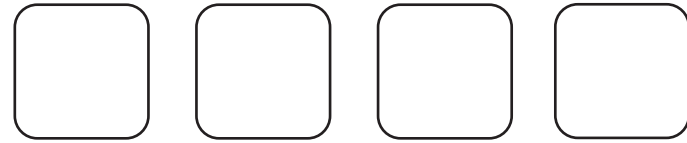
olive storm ash gumby



wave apollo carbon abyss

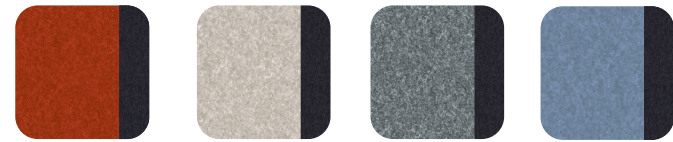


midnight ghost mist sunny

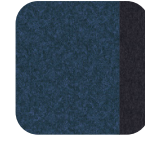


blush rouge salmon fire

BUZZIFELT



orange offwhite stonegrey lightblue



jeans

BIO PLASTIC



sage forest ocean cobalt



clay eggshell ochre blossom



terracotta onyx

SWING NO SURFACE | SUSTAINABILITY

SCS IAQ GOLD

SCS Global Services certified for low VOC emissions with the most transparent indoor air quality (IAQ) standard for furniture and building materials. The Indoor Advantage and Indoor Advantage Gold standard aligns with both ANSI/BIFMA M7.1 and X7.1, and CA 01350. It is recognized by the EPA and GSA, and qualifies for many building rating systems, including LEED v4, BREEAM, WELL Building, and Living Building Challenge.

HPD TESTED

The HPD provides a chemical inventory of a building product and characterizes the level of concern about each ingredient. Most, if not all, of the chemicals in the product are disclosed by Pair, providing greater transparency in selecting products for buildings.

Untethered Power System:

This HPD includes the Pair product lines for workstations: SWING, SWING JR., SIMPLE BEAM, and OLLI. These systems are comparable in product attributes because they include a freestanding beam for power and data distribution. The power system can be used to delineate space and support various modes of individual and collaborative work.

Fabric:

This HPD covers fabric accessories to the Pair Product lines. Traverse from focus work to a collaborative environment in minutes by enhancing your workspace with Sidekicks offering screening and seating solutions designed to fit the needs of any workplace. Includes products: OLLI/SWING, POWER SLEEVE, BYOT POWER SLEEVE, FELT CABLE MANAGER, SWING BEAM MOUNTED SCREEN, SWING MODESTY, OLLI CUSHION, OLLI BUTTERFLY SCREEN, MIX DIVIDER SCREEN, HANGING BOARD, and HANGING SCREEN.

Metal & Wood:

This HPD covers wood and metal accessories to the Pair Product lines. Traverse from focus work to a collaborative environment in minutes by enhancing your workspace with Sidekicks and Elements designed to fit the needs of any workplace. Products included in this category: PLANTER HOOK, OLLI COAT RACK, OLLI FRAME, OLLI MEETING TABLE, STACKABLE CADDY, STACKABLE PLANTER, STACKABLE STORAGE, OLLI PLUG, BAG HOOK, TUCK, MIX INFILLS, SWING END PANEL, FADE CABLE CHASE, and NEST.





madebypair.com

Email hello@madebypair.com for more information.