

Fade.

Clean lines, height-adjustable, and no clutter in sight.

Fade is a tethered, height-adjustable system with integrated cable management and highly customizable privacy. With an optional waterfall edge, Fade exhibits clean lines and a minimal design.



REVISED SEPTEMBER 2023



FADE

CLUSTER SIZE

2PK* | 4PK | 6PK | 8PK | 10PK
**not available with waterfall surface*

DIMENSIONS

Module: 48 | 60 | 72
Overall Depth: 60"D
Surface Thickness: 1" Thickness
Surface Depth: 28"D
Nest Screen Height: 20" Overall (15"H above surface)
Side Screen Height: 48"H | 60"H
Base Height Adjustment: 2-Stage: 27H" - 46.7H" (Excluding Surface)

STYLES

Nest Screen Corner: Square | Radius
Side Screen Corner: Square | Radius
Surface: Waterfall | Non-Waterfall
Surface Corner: Square | Radius
Waterfall Corner: Square | Radius
End Panel Corner: Square

DESIGN DETAILS

Glide: 2" Leveler

FINISHES *(Refer to Pair Palette)*

Surface: Veneer | Laminate*
**available on non-waterfall surfaces only*
Surface Edge Band: Matching | Exposed Baltic Birch Plywood
End Panel: Veneer | Laminate
End Panel Edge Band: Matching | Exposed Baltic Birch Plywood
Nest Screen: PET | Laminate | Veneer
Nest Screen Edge Band: Matching | Exposed Baltic Birch Plywood*
**available on Veneer & Laminate only*
Side Screen: Veneer | Laminate | Writable
Side Screen Edge Band: Matching | Exposed Baltic Birch Plywood
Duplex: Black | White
Base: Metal
Lifting Columns: Midnight Matte
Nest: Metal
Coil: Black | White

PERFECT PAIR-ING

(Refer to Product Brochures)

Crouton Divide
Bag Hook Store
Tuck Work
Partial Crostini Divide



FADE

POWER

Height Adjustment Control:

Duplex:

Circuit Distribution:

Up-Down (default) | Memory

(2) Per User

2PK 2-Circuits | (2) Line 1, (2) Line 2

4PK 2-Circuits | (4) Line 1, (4) Line 2

6PK 3-Circuits | (4) Line 1, (4) Line 2, (4) Line 3

8PK 4-Circuits | (4) Line 1, (4) Line 2, (4) Line 3, (4) Line 4

10PK 4-Circuits | (5) Line 1, (5) Line 2, (5) Line 3, (5) Line 4

3+1 (default) | 2+2

Stamped | Colored

*Controlled duplex not included unless requested

(1) Knockout Per User

2.75"W x 1.375"H can accommodate 4 port data plate

72"L, Metallic Liquid Tight, Hardwired, Straight Coupler

**For additional power information and non-standard options see the Pair Power Understanding Guide*

Circuit Keying:

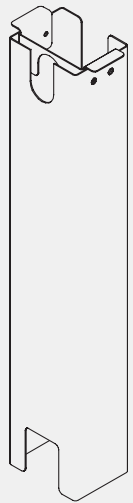
Controlled Circuit Duplex:

Data:

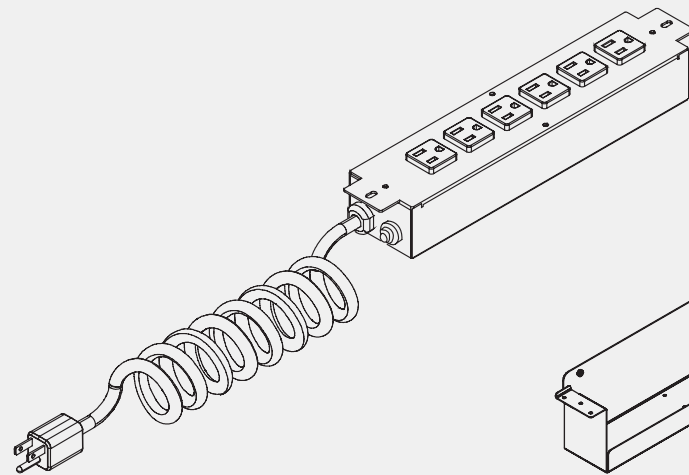
Data Knockout Dimension:

Infeed (UL Listed):

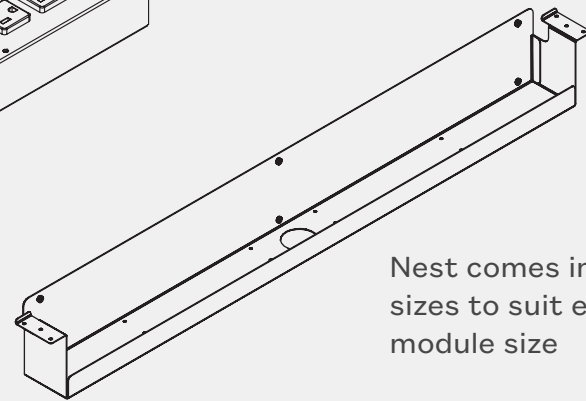
CABLE MANAGEMENT *(Refer to Coil brochure for more information)*



Cable Chase



Coil

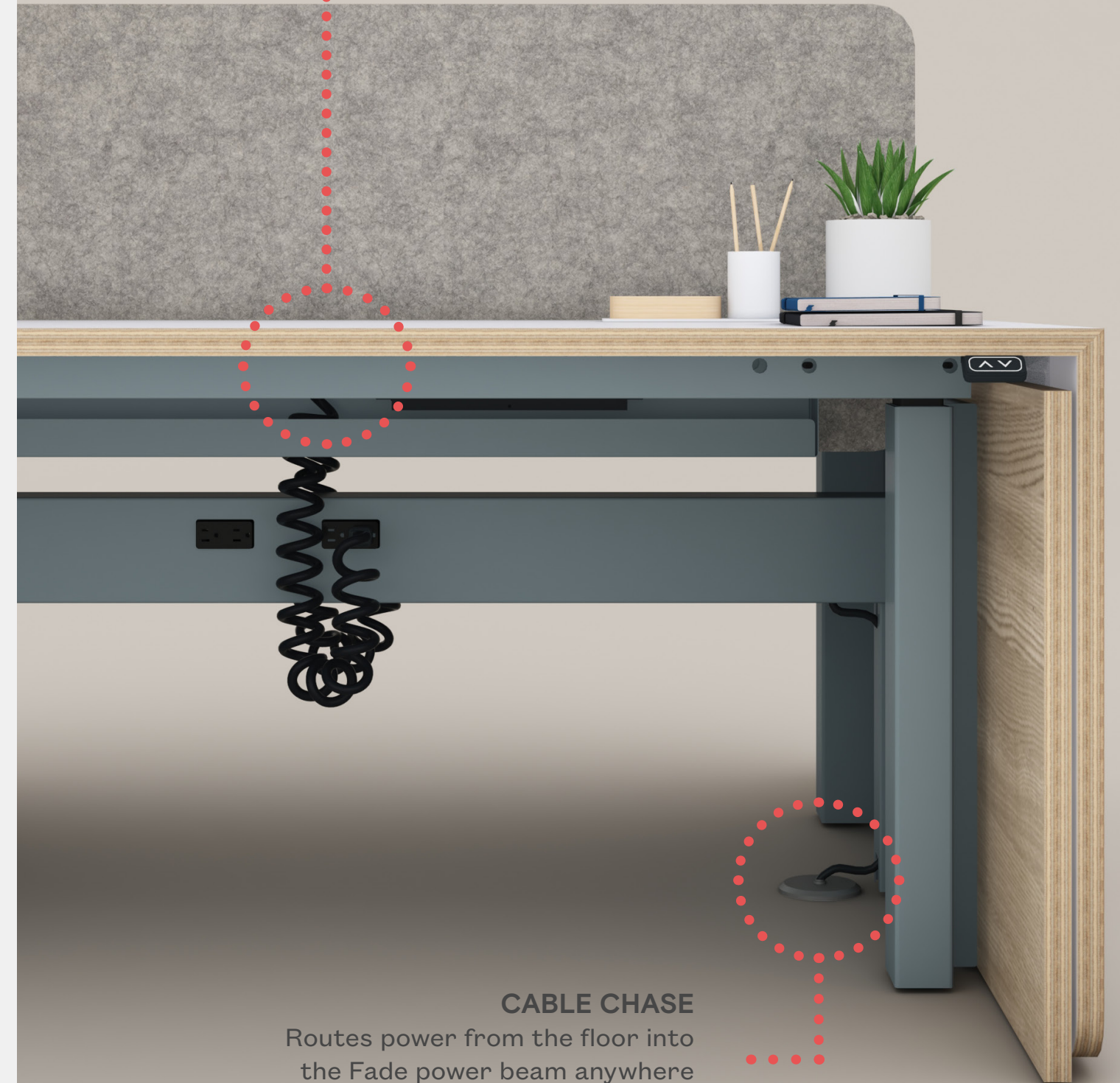


Nest

Nest comes in 2 sizes to suit every module size

STREAMLINED POWER

Cable management made easy. Nest + Coil routes power and keeps cords tidy.

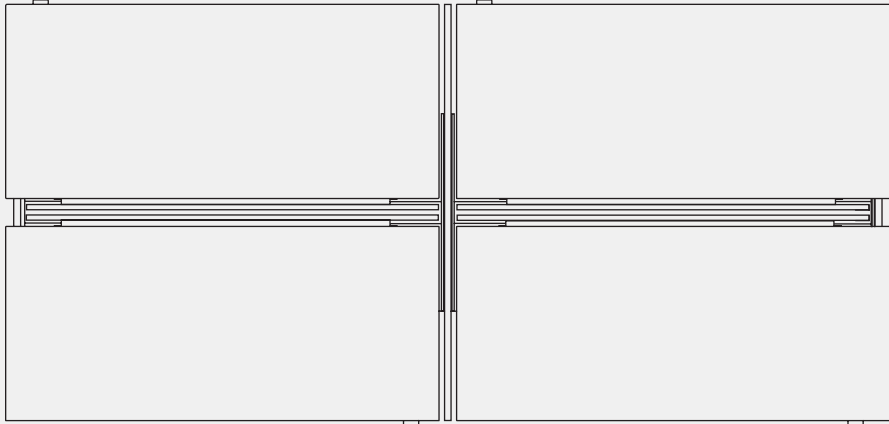


CABLE CHASE
Routes power from the floor into the Fade power beam anywhere throughout the system.

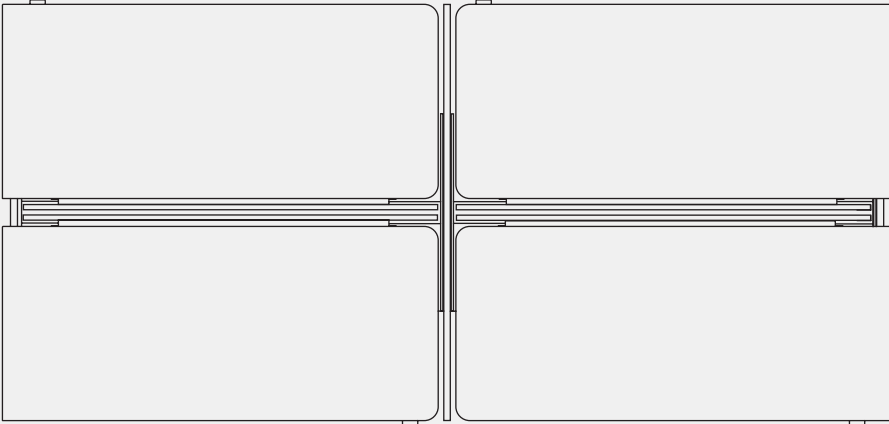


FADE | SURFACES

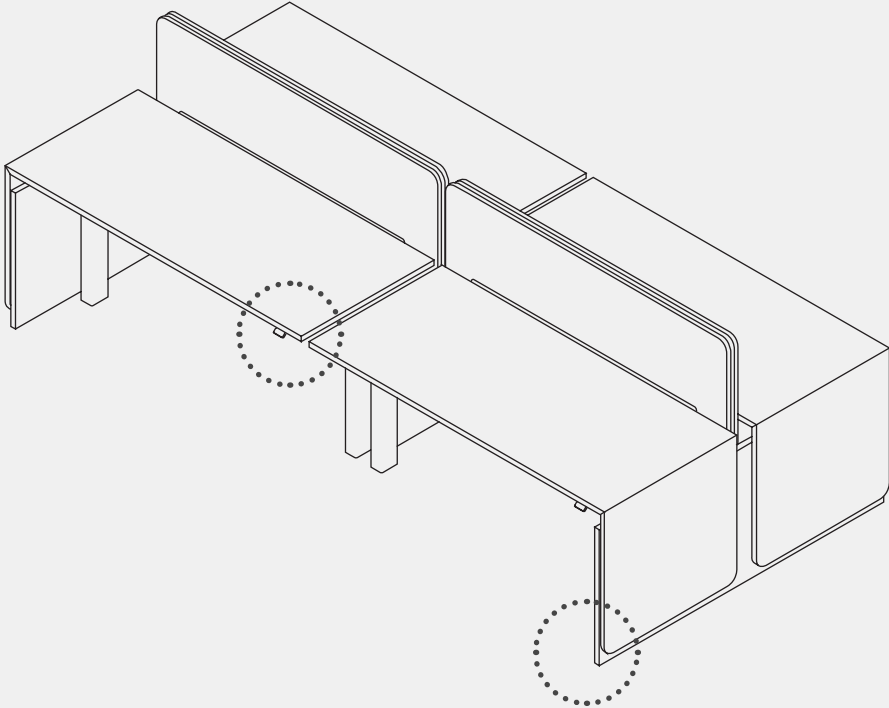
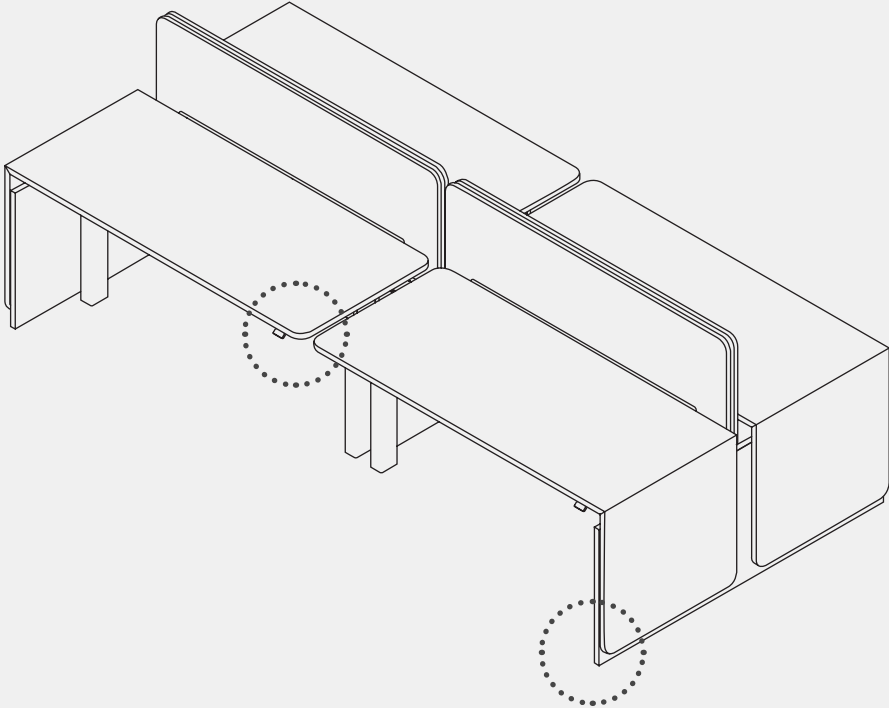
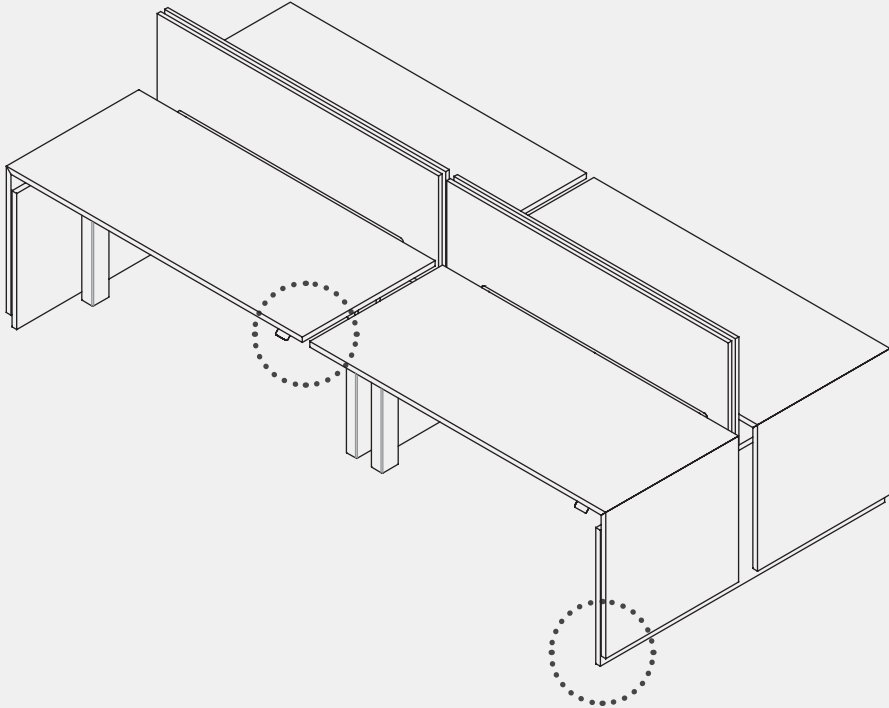
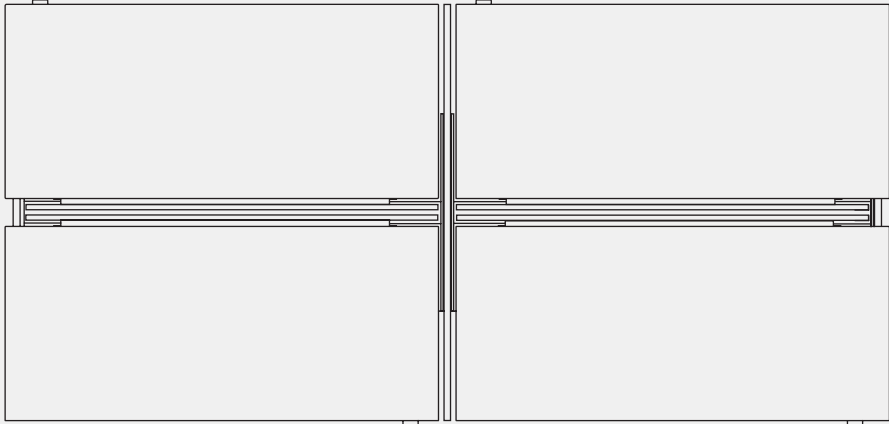
Surface Corner: Square
Waterfall Corner: Square



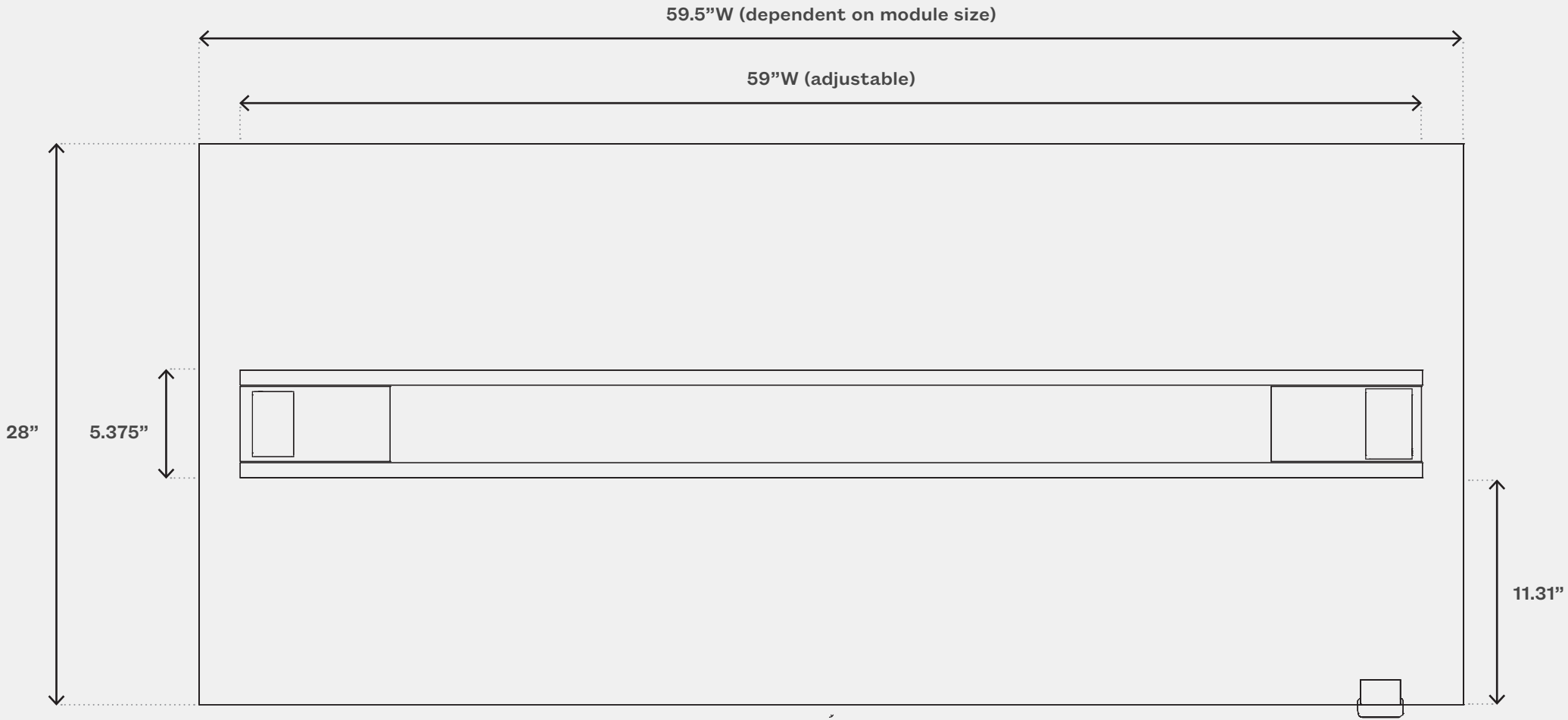
Surface Corner: Radius
Waterfall Corner: Radius

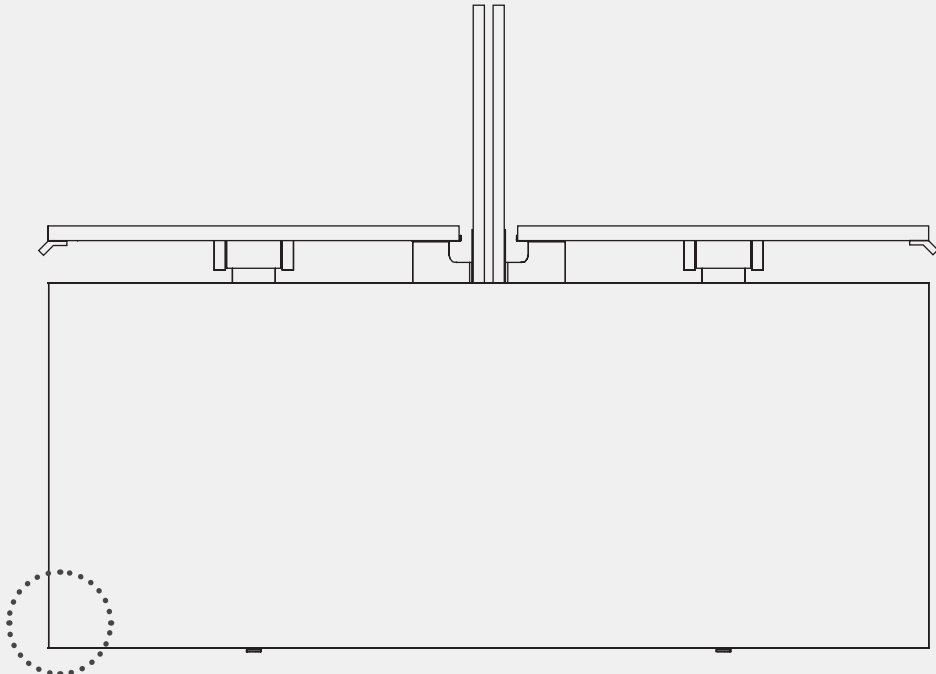


Surface Corner: Square
Waterfall Corner: Radius

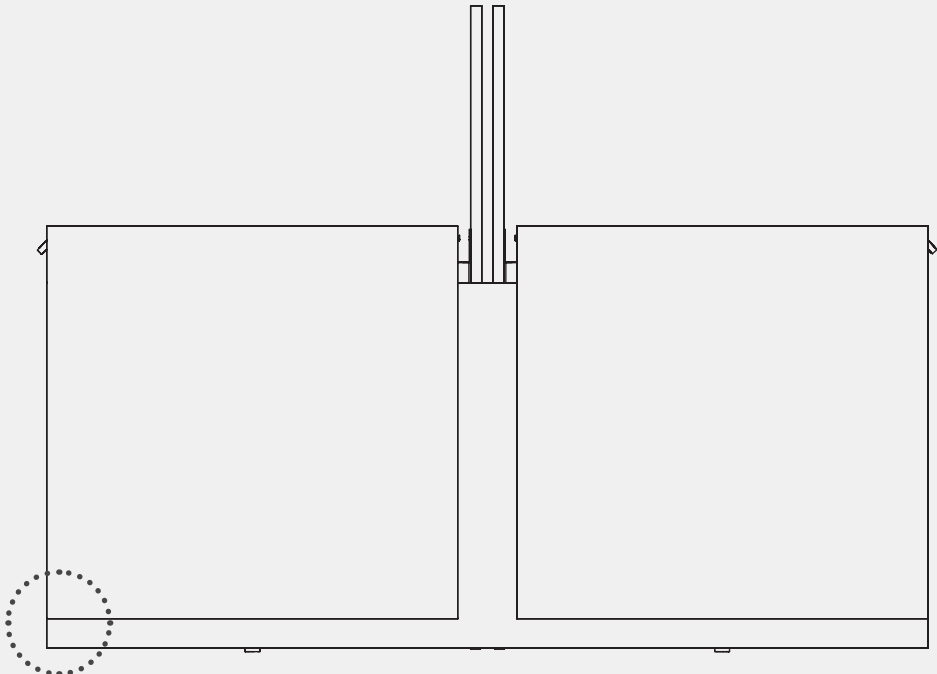


FADE | UNDERSURFACE CLEARANCE

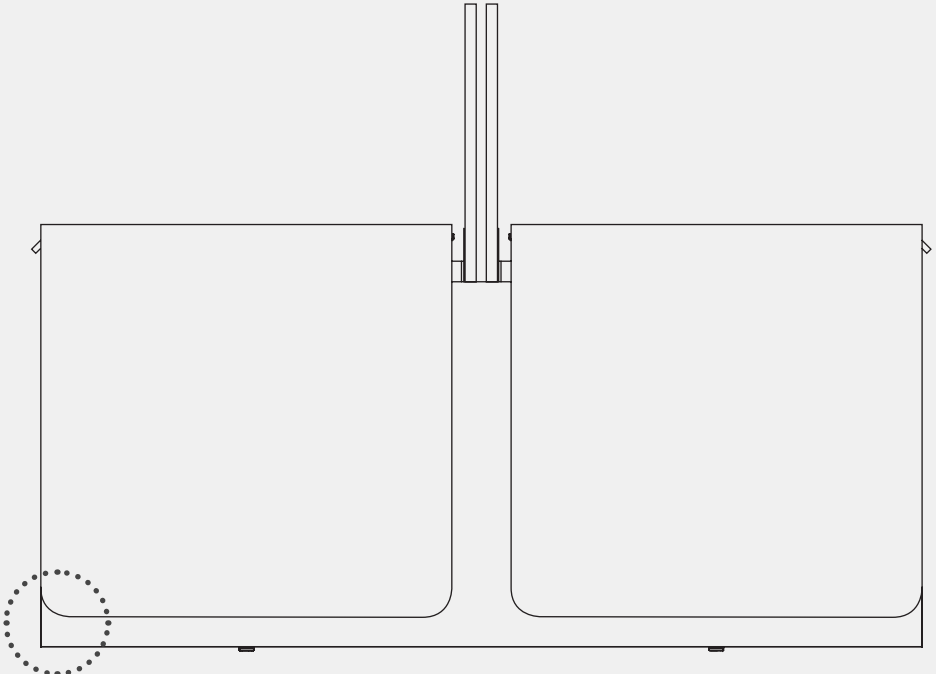




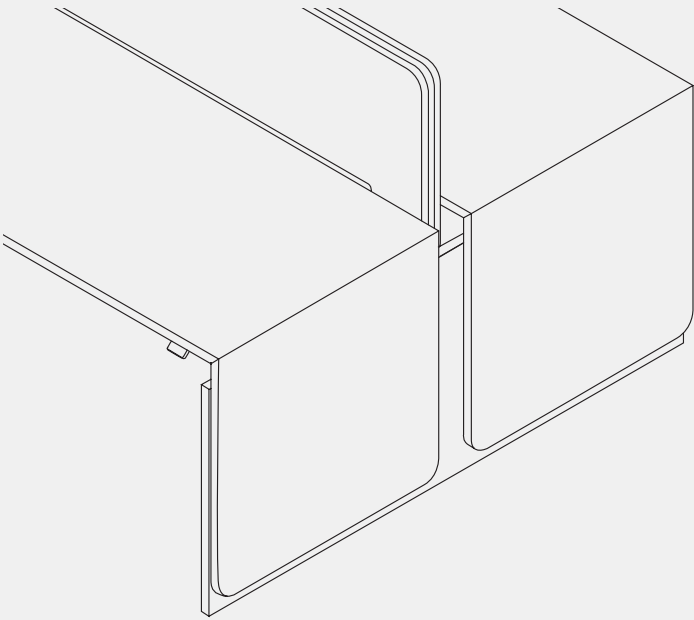
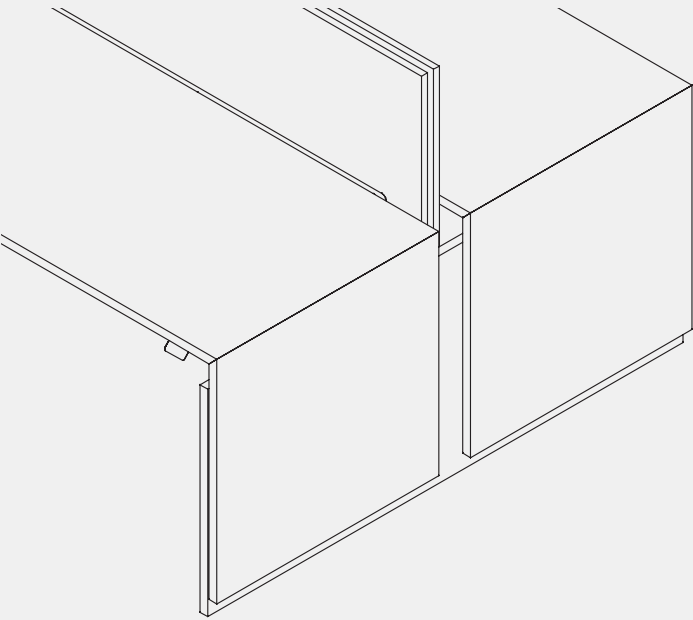
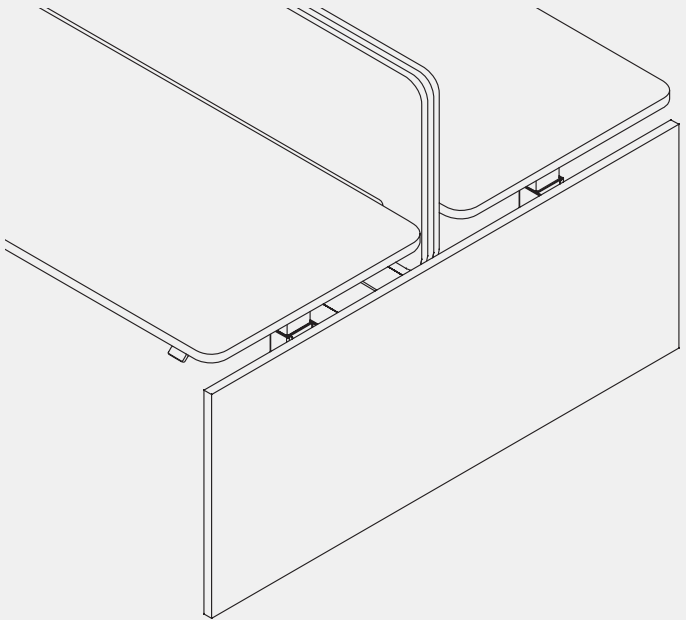
Non-Waterfall

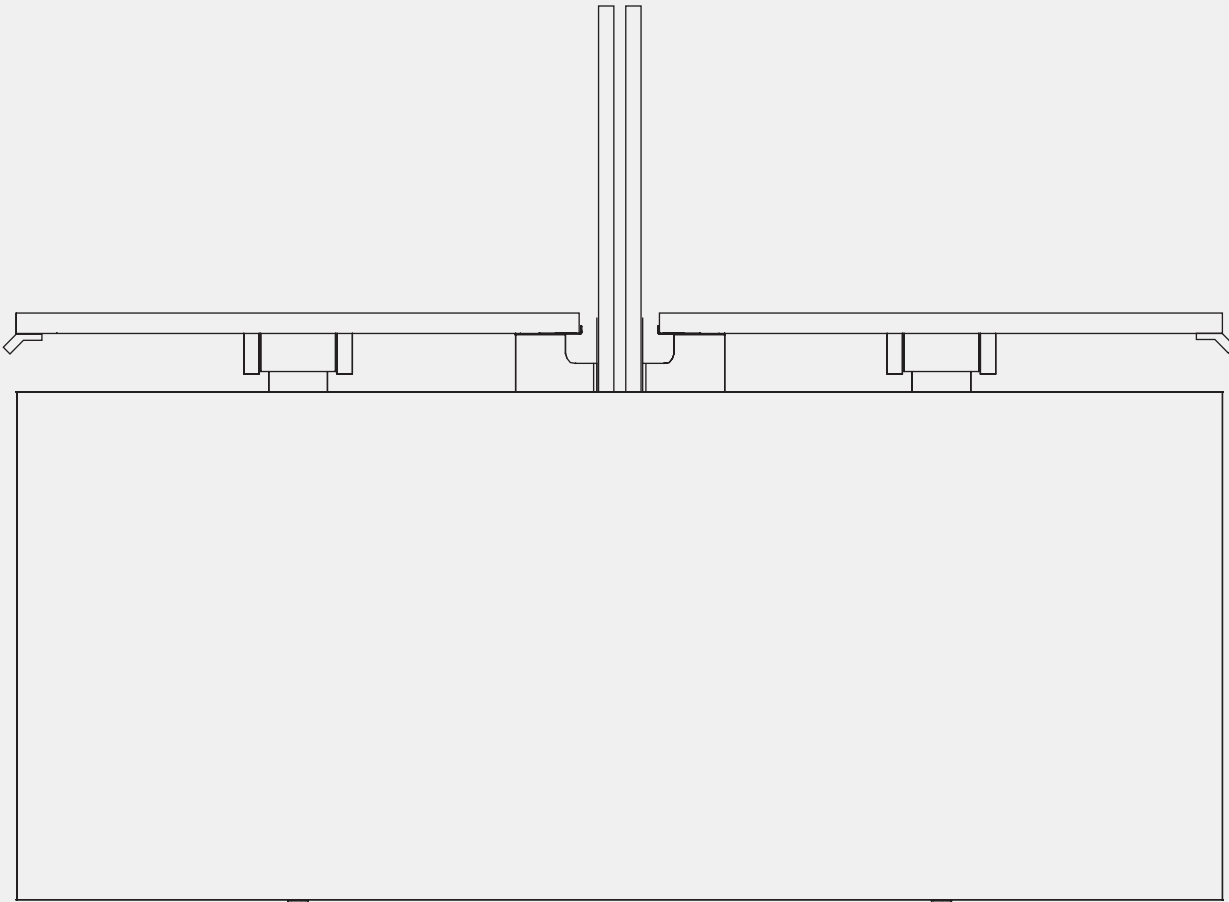


Waterfall - Square



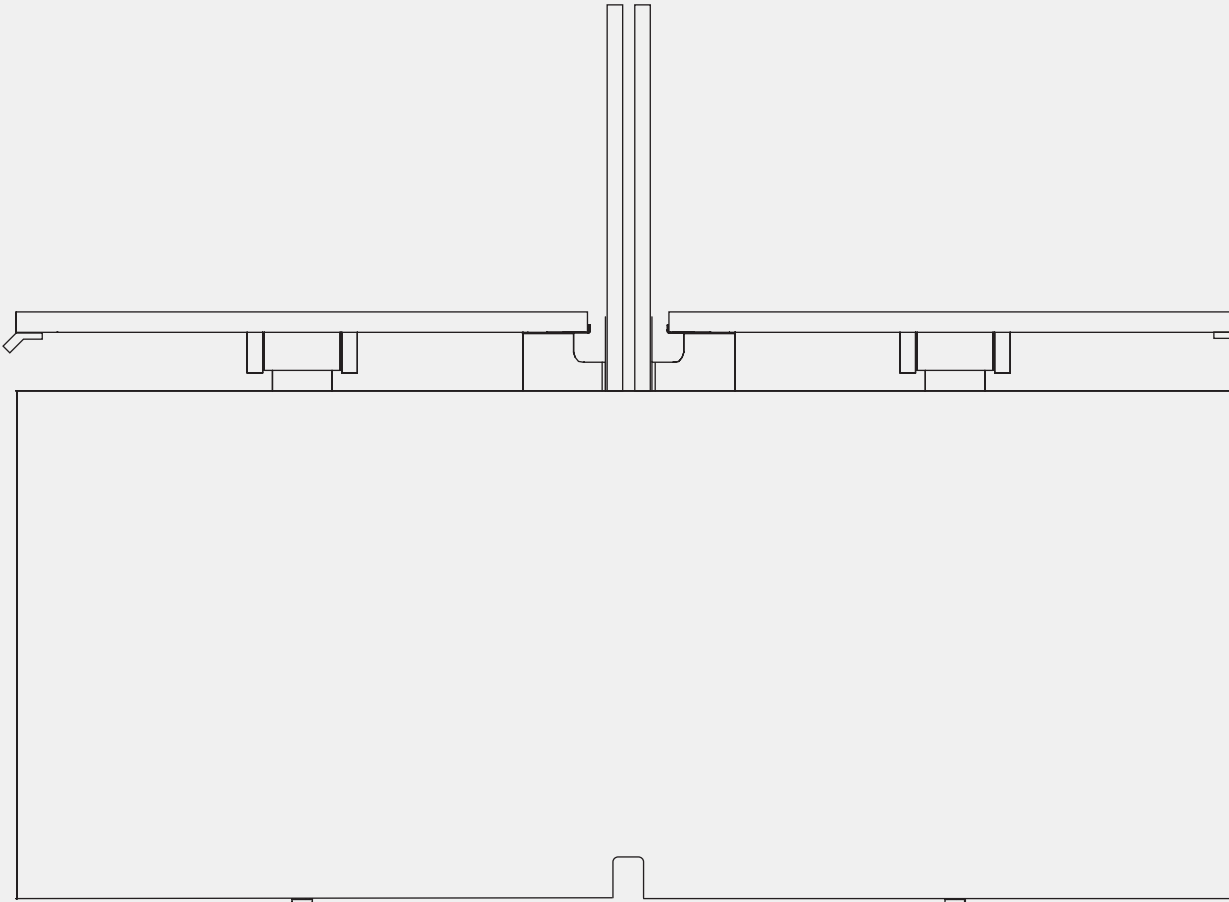
Waterfall - Radius





END PANEL

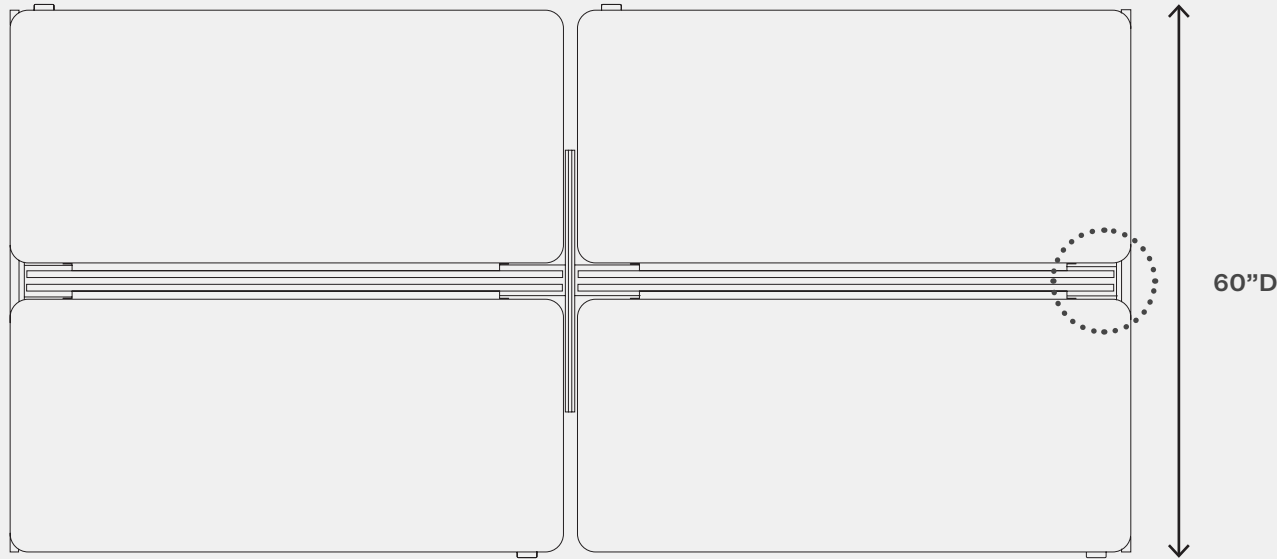
End panel can be specified with or without a power cutout.



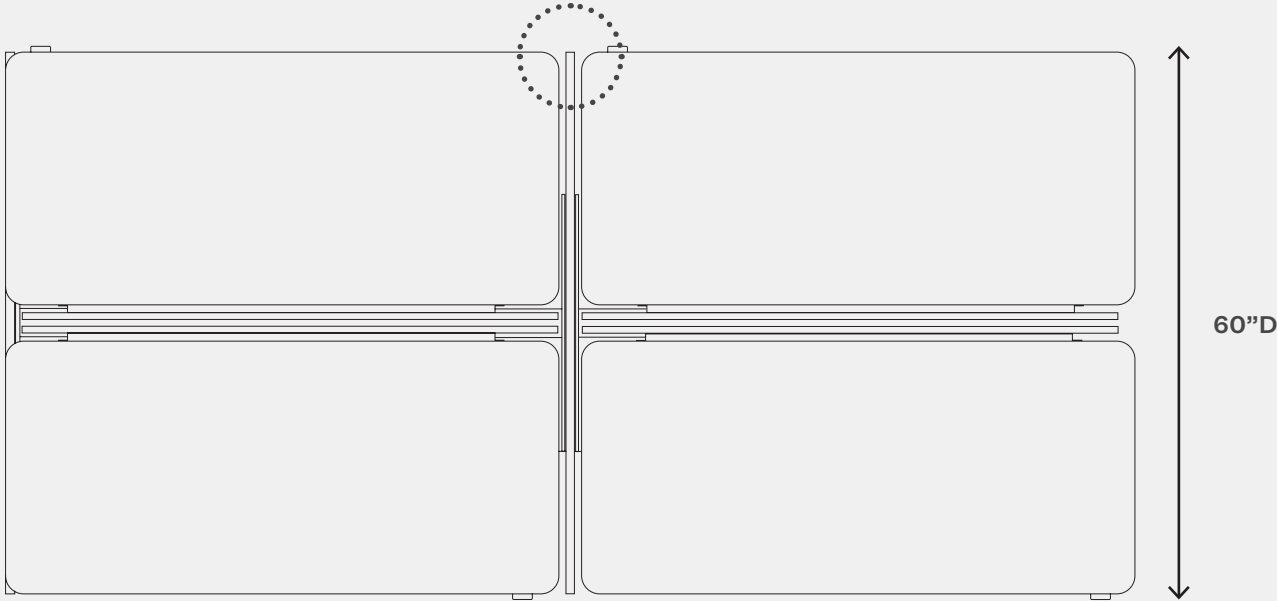
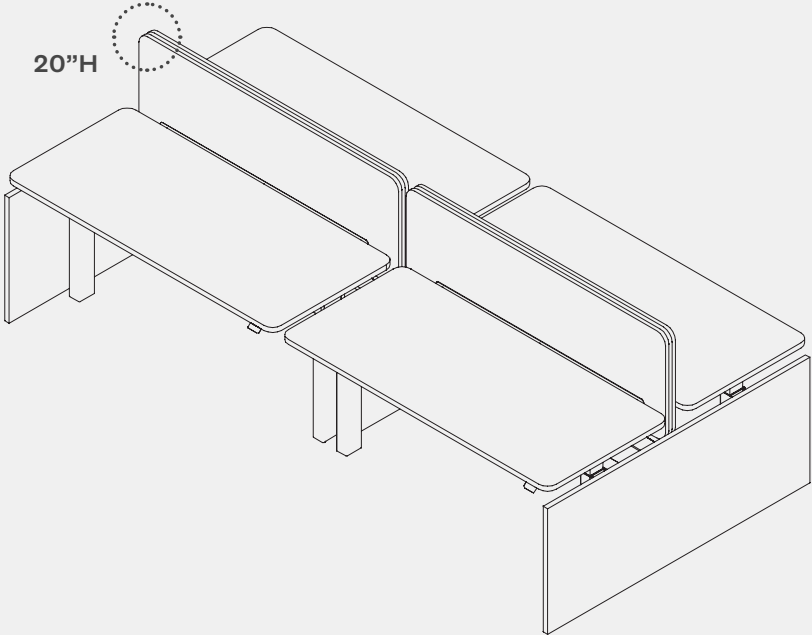
END PANEL - POWER CUTOUT

This allows for easy entry of an infeed that is planned outside of the systems footprint.

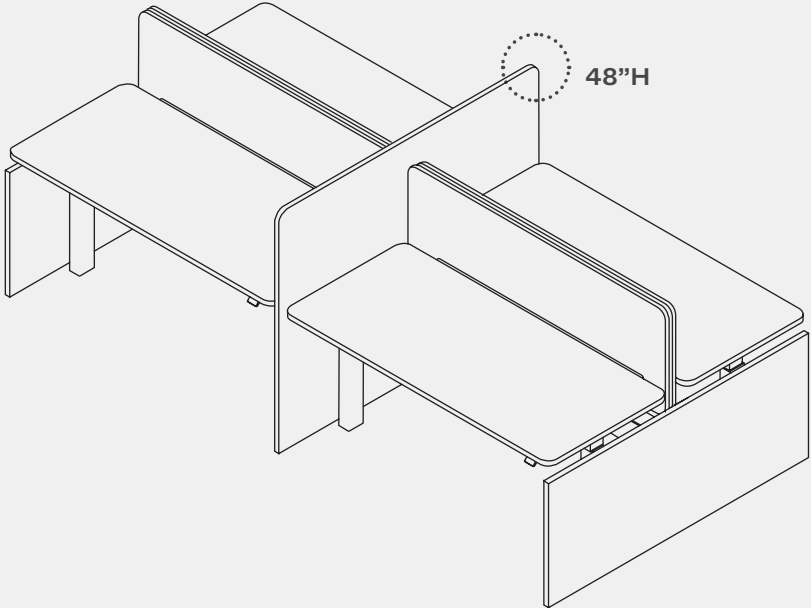
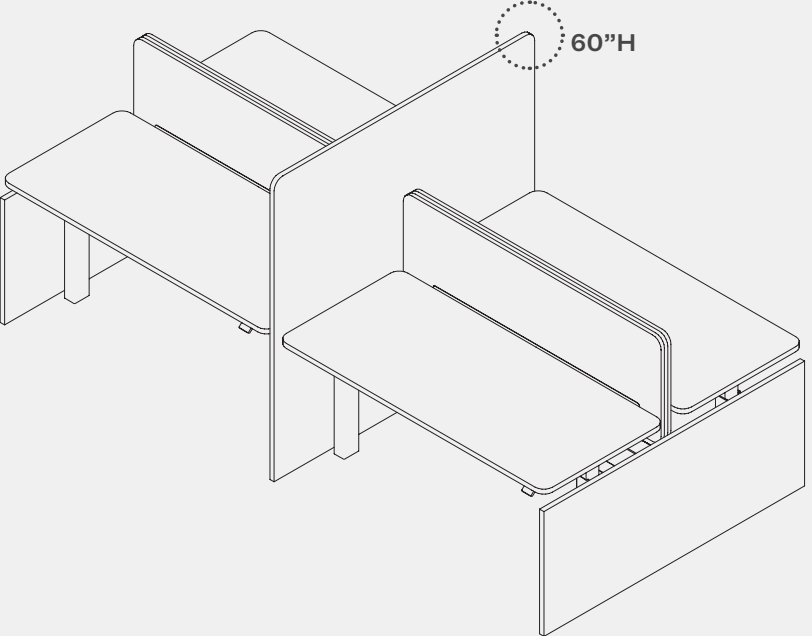
Ideal for planning with power coming from a wall or column.



Nest Screens

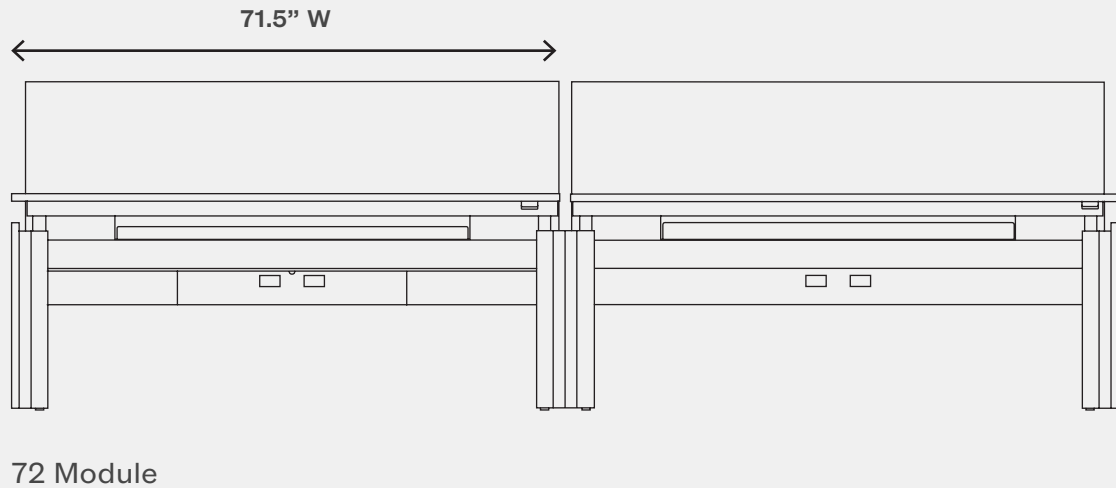
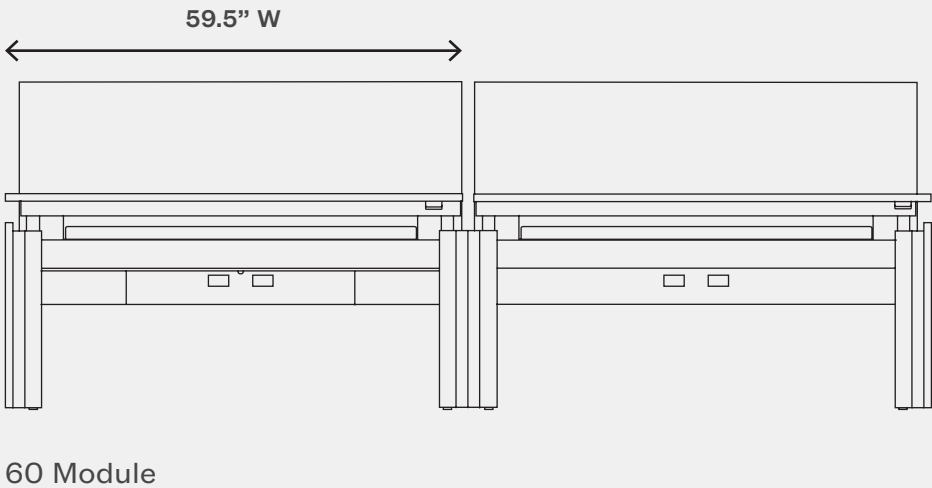
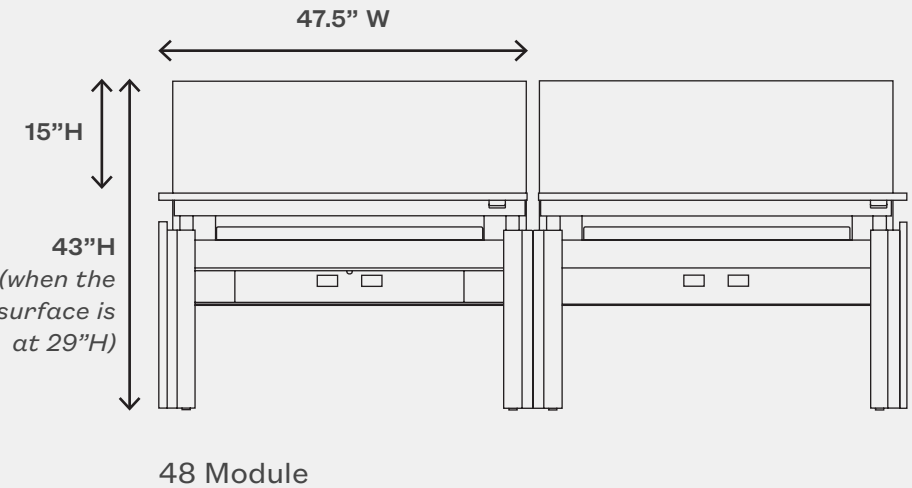
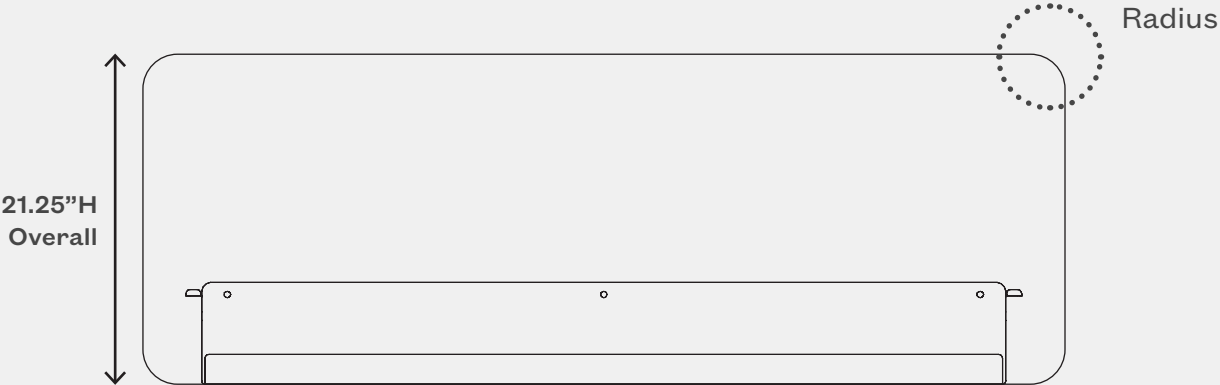
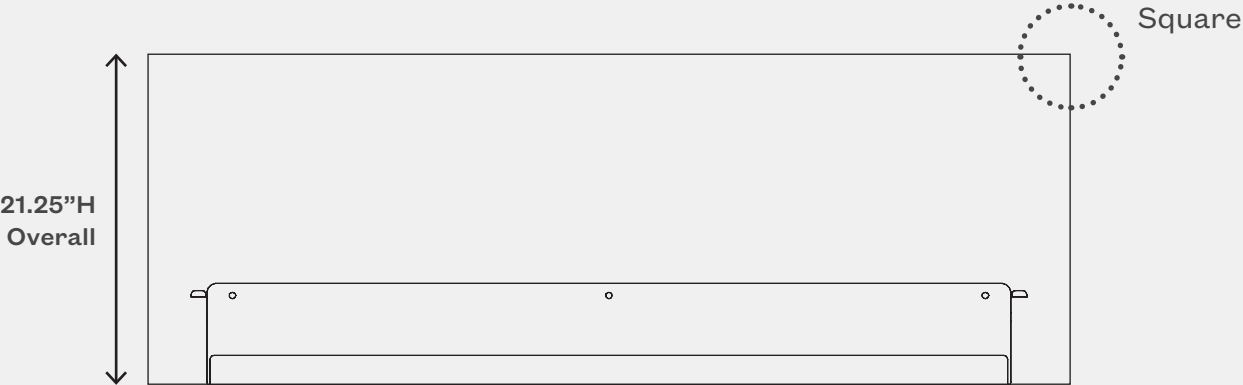


Side Screens

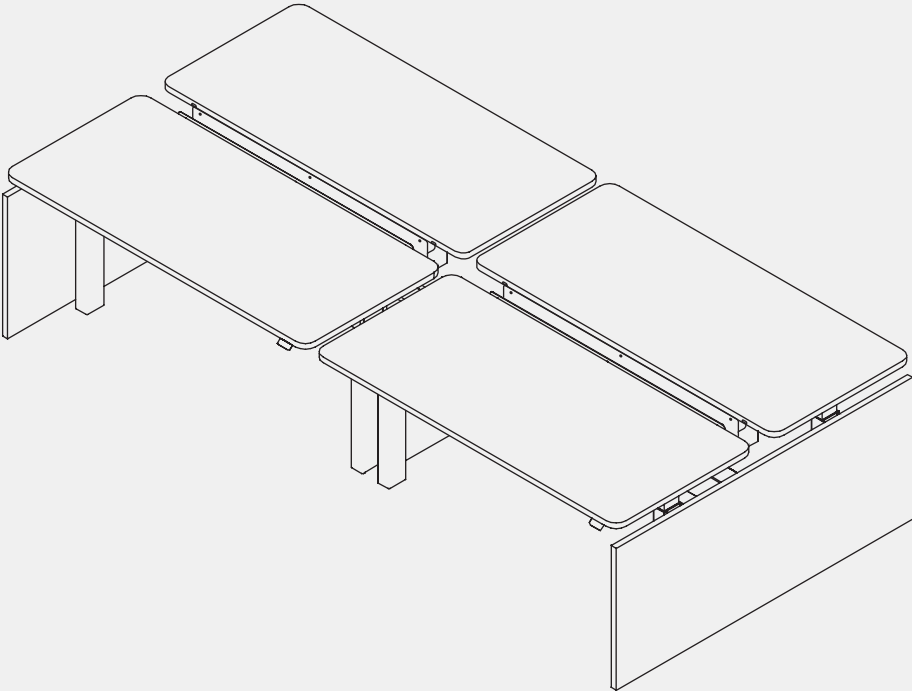


FADE | SCREENS

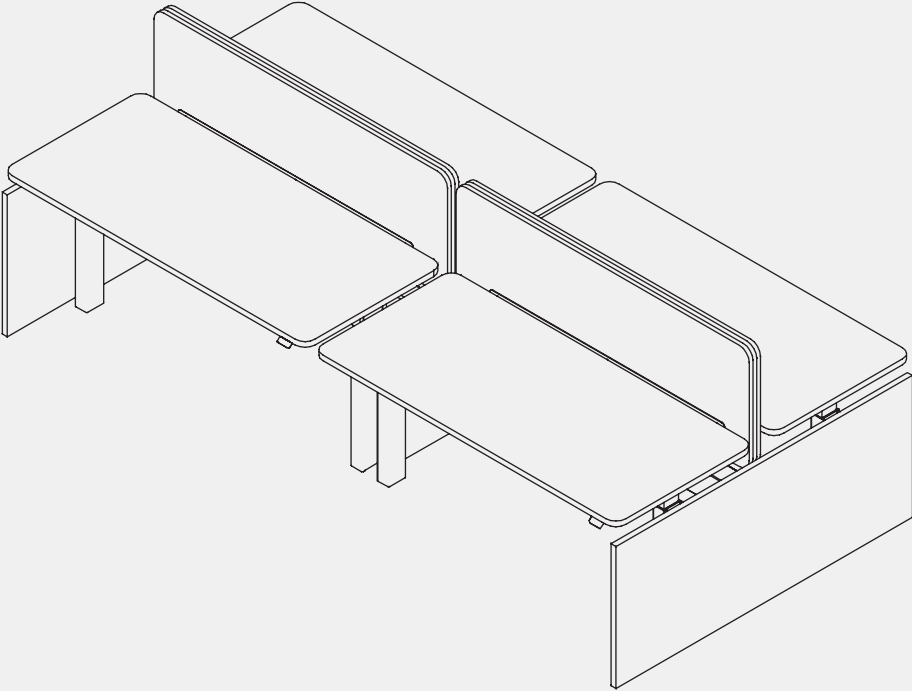
NEST SCREEN STYLES



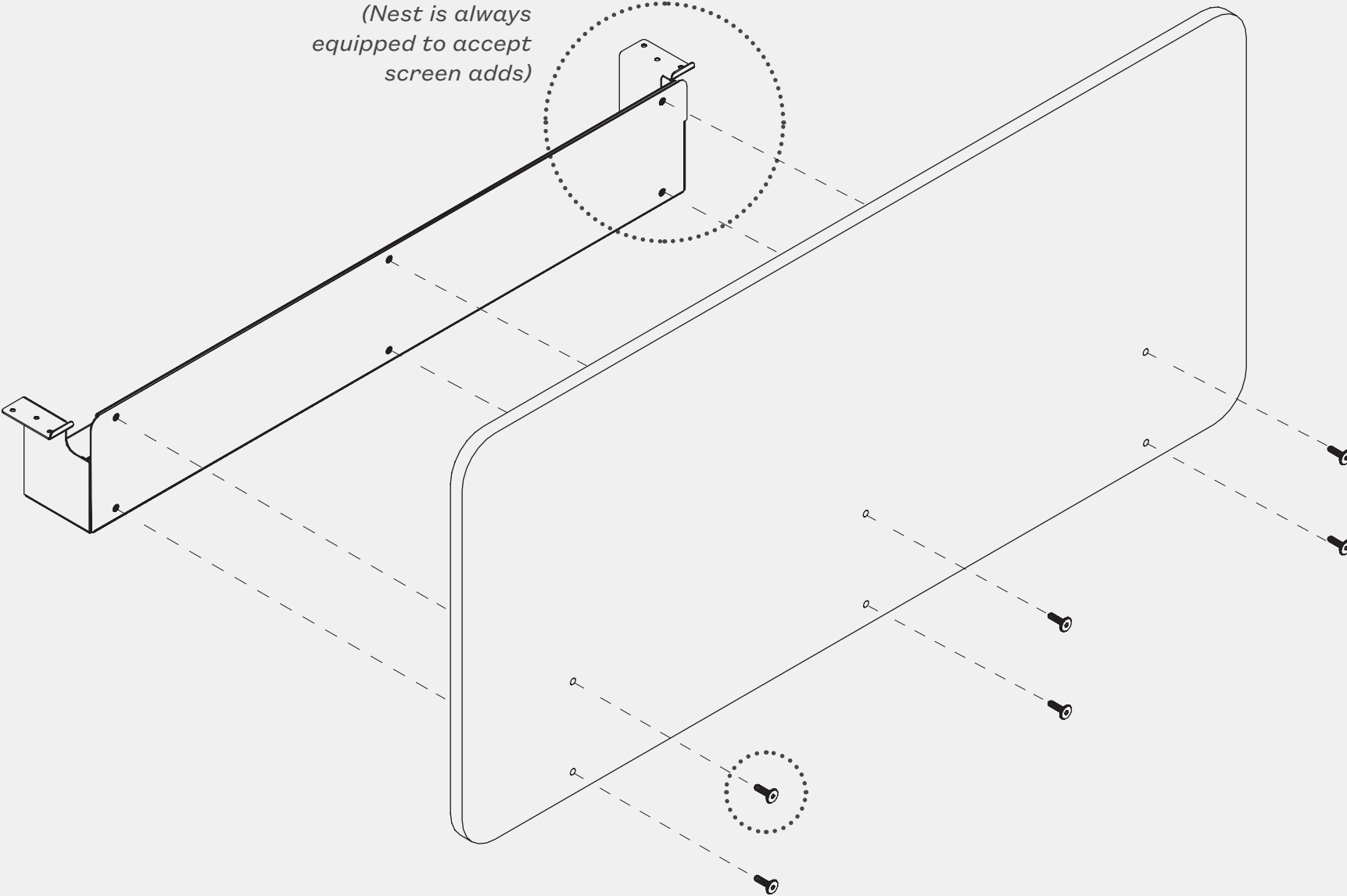
NEST SCREEN DETAILS



Fade and Nest with No Screens



Fade and Nest with Nest Screens

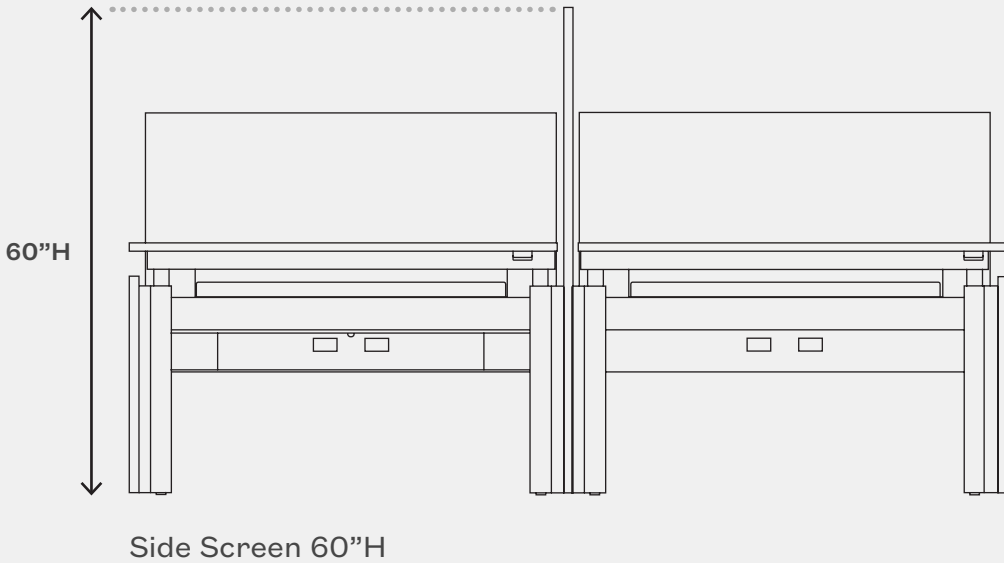
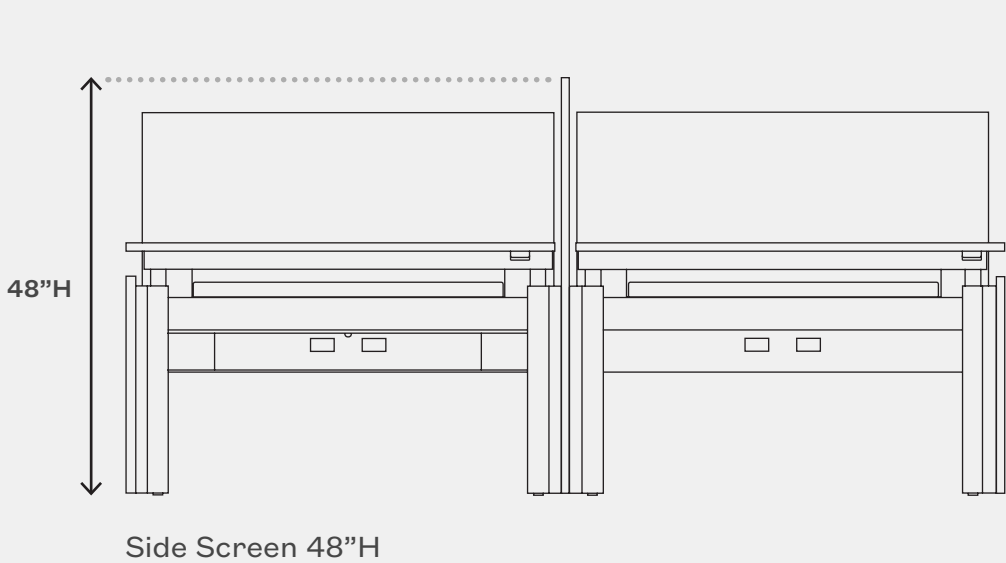
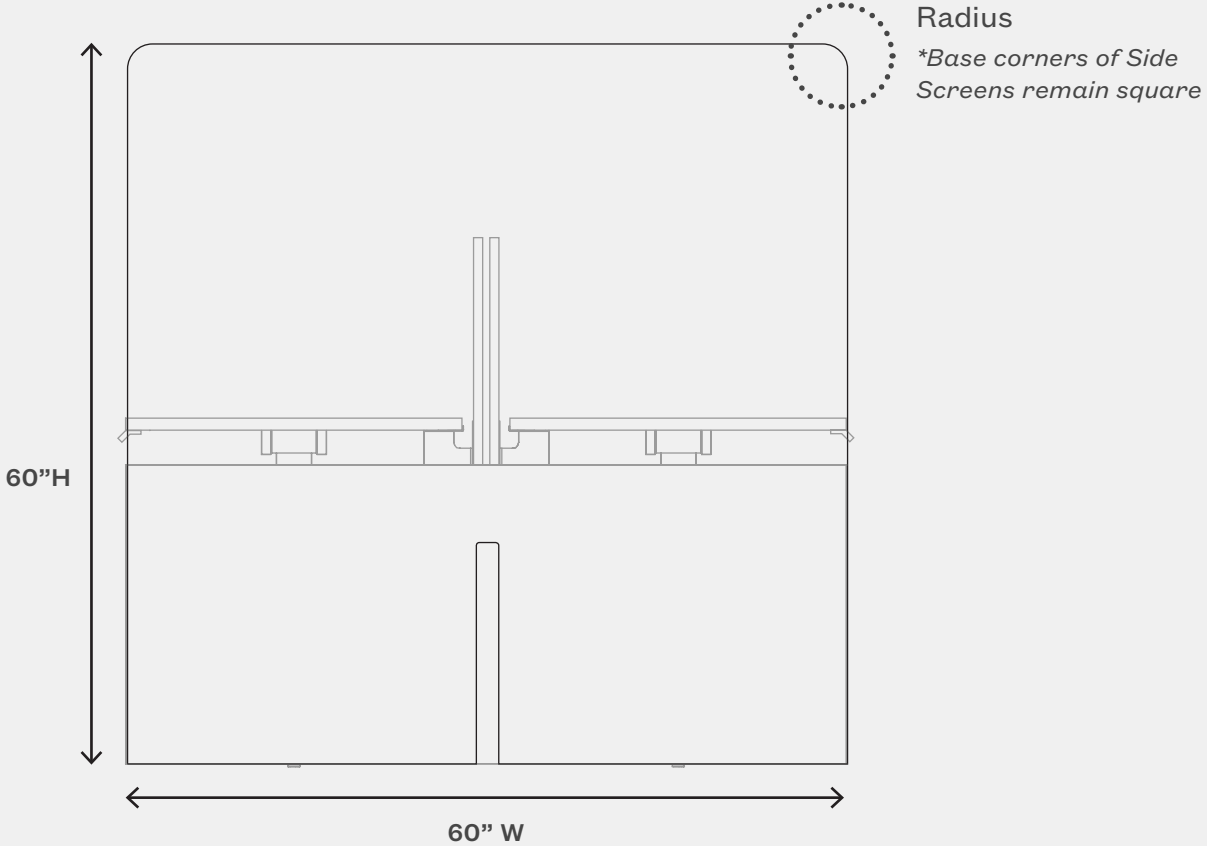
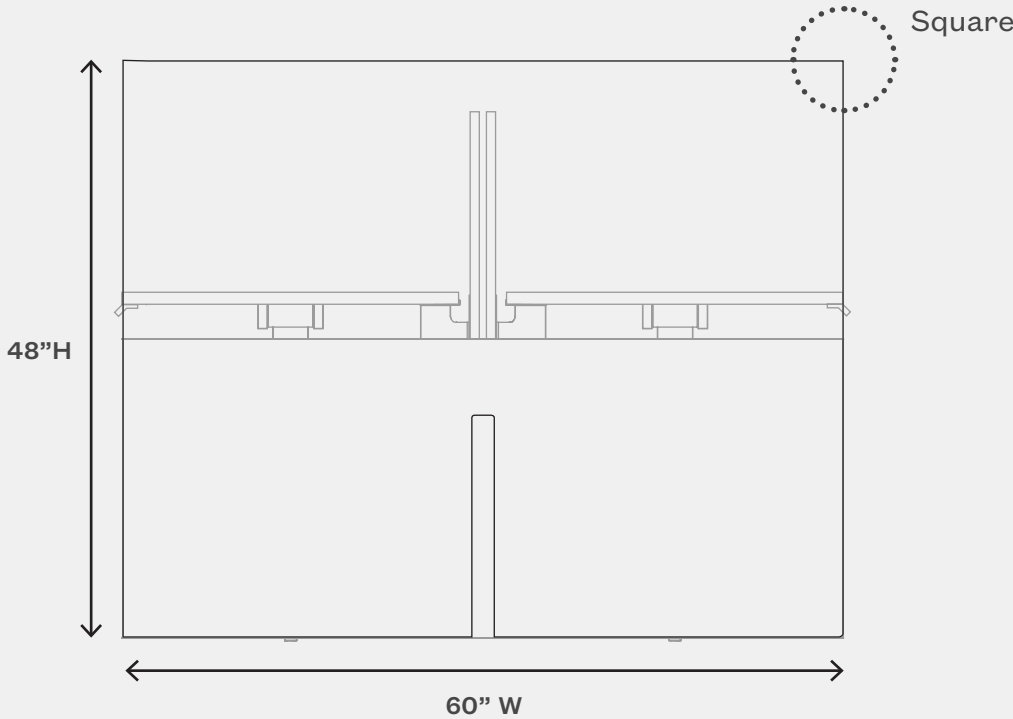


Add or Remove Screens with Simple Hardware

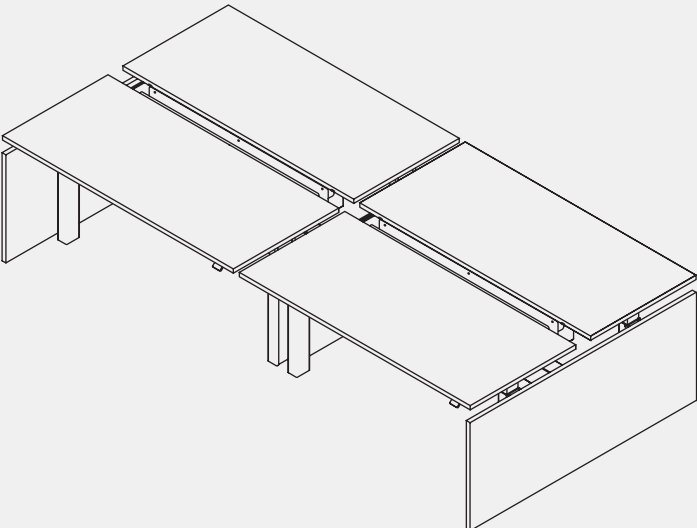
FADE | SCREENS

SIDE SCREEN STYLES

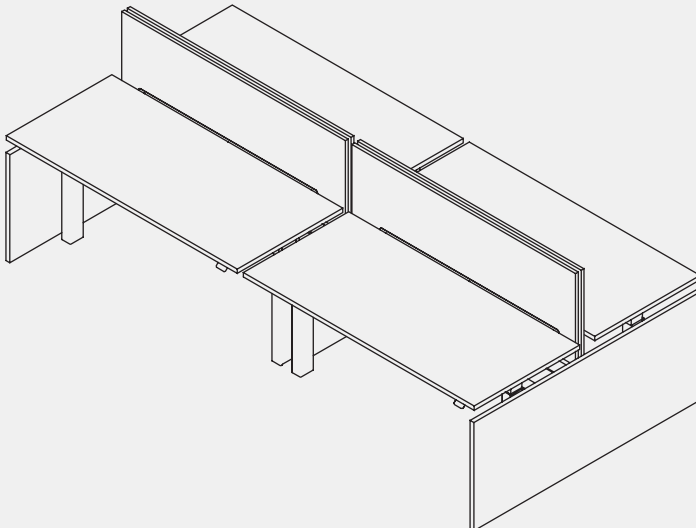
*Side Screen placements not applicable at ends of the cluster



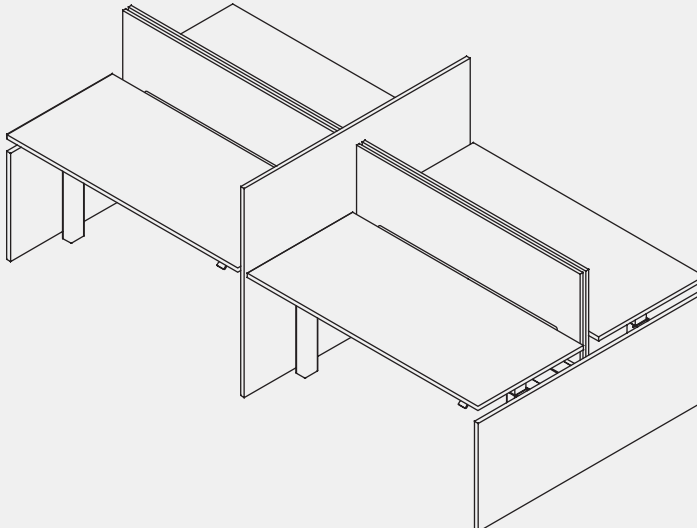
FADE | PRIVACY SPECTRUM



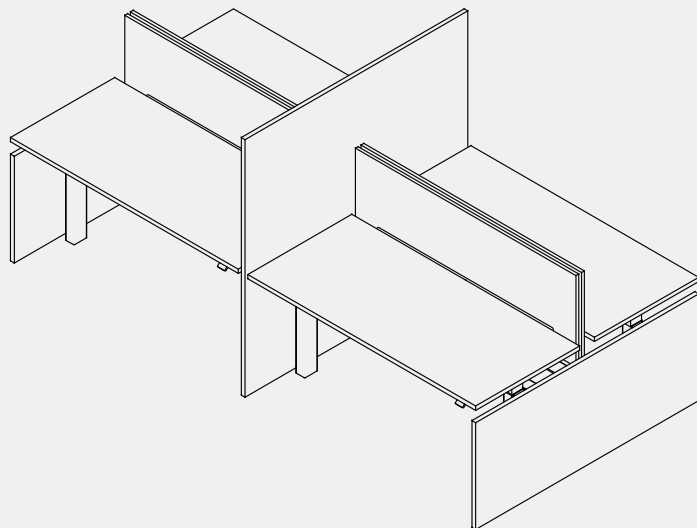
No Screens



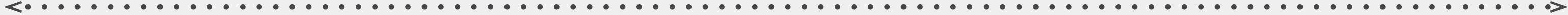
Front Screens



Front Screens
Side Screens 48”H



Front Screens
Side Screens 60”H



Low Privacy

High Privacy

VENEER



ash maple hickory white oak



rustic white oak walnut

WRAPPED LAMINATE

**woodgrains contain texture*



salt smoke karl dusk



nutmeg cocoa

SOFT TOUCH LAMINATE

available on non-waterfall surfaces only



snow white velvet (15501-31) silver velvet (15503-31) charcoal velvet (15504-31) black velvet (15505-31)

LAMINATE

available on non-waterfall surfaces only

**waterfall available in SOLICOR™*



designer white (D354-60)* fashion grey (D381-60) north sea (D90-60) manitoba maple (7911-60)



landmark wood (7981K-12) new age oak (7938K-12) natural recon (7996-12) walnut heights (7965K-12)



black (1595-60)*

METAL

**lifting columns available in midnight matte only*



olive gloss storm gloss ash gloss gumby gloss



wave gloss apollo gloss carbon gloss abyss gloss



midnight gloss midnight matte ghost gloss ghost matte mist gloss sunny gloss



blush gloss rouge gloss salmon gloss fire gloss

WOOL

**additional colorways available at a premium*



chain affix regard append



group affinity work combo

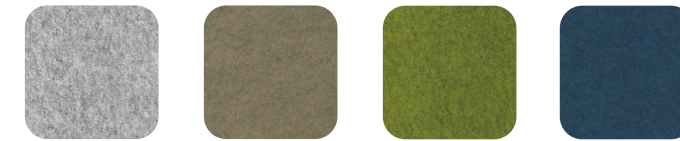


frame relate bracket serendipity

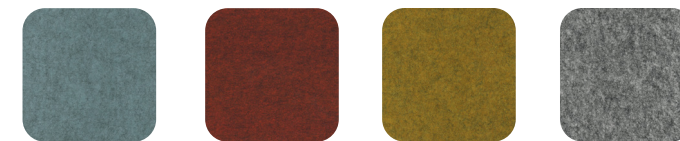


partner mix compound

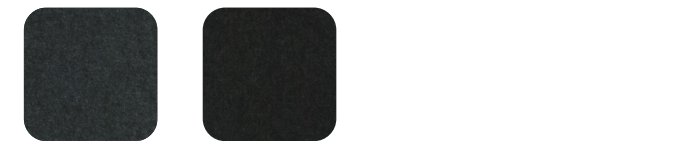
PET



fennel chia basil juniper



jasmine paprika cumin dash



pepper licorice

MISCELLANEOUS



felt ink cork

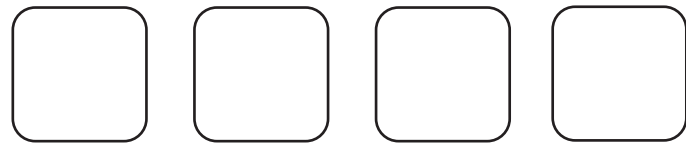


whiteboard woodboard baltic birch exposed plywood baltic birch leather saddle

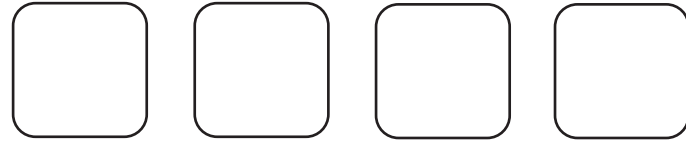


soft touch plastic carbon metal black oxide metal brushed nickel

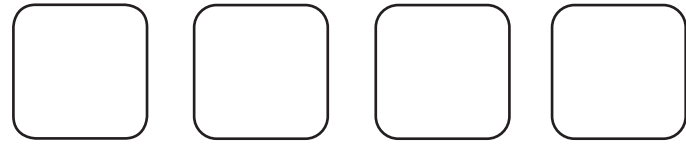
SOFT TOUCH GLASS



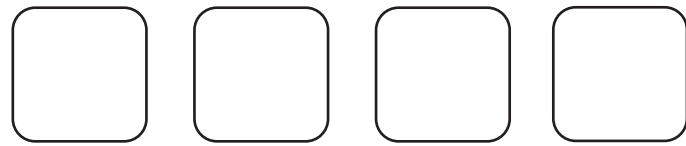
olive storm ash gumby



wave apollo carbon abyss



midnight ghost mist sunny

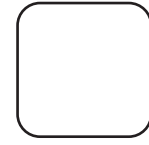


blush rouge salmon fire

BUZZIFELT



orange offwhite stonegrey lightblue



jeans

BIO PLASTIC



sage forest ocean cobalt



clay eggshell ochre blossom



terracotta onyx

FADE | SUSTAINABILITY

SCS IAQ GOLD

SCS Global Services certified for low VOC emissions with the most transparent indoor air quality (IAQ) standard for furniture and building materials. The Indoor Advantage and Indoor Advantage Gold standard aligns with both ANSI/BIFMA M7.1 and X7.1, and CA 01350. It is recognized by the EPA and GSA, and qualifies for many building rating systems, including LEED v4, BREEAM, WELL Building, and Living Building Challenge.

HPD TESTED

The HPD provides a chemical inventory of a building product and characterizes the level of concern about each ingredient. Most, if not all, of the chemicals in the product are disclosed by Pair, providing greater transparency in selecting products for buildings.

Untethered Power System:

This HPD includes the Pair product lines for workstations: SWING, SWING JR., SIMPLE BEAM, and OLLI. These systems are comparable in product attributes because they include a freestanding beam for power and data distribution. The power system can be used to delineate space and support various modes of individual and collaborative work.

Fabric:

This HPD covers fabric accessories to the Pair Product lines. Traverse from focus work to a collaborative environment in minutes by enhancing your workspace with Sidekicks offering screening and seating solutions designed to fit the needs of any workplace. Includes products: OLLI/SWING, POWER SLEEVE, BYOT POWER SLEEVE, FELT CABLE MANAGER, SWING BEAM MOUNTED SCREEN, SWING MODESTY, OLLI CUSHION, OLLI BUTTERFLY SCREEN, MIX DIVIDER SCREEN, HANGING BOARD, and HANGING SCREEN.

Metal & Wood:

This HPD covers wood and metal accessories to the Pair Product lines. Traverse from focus work to a collaborative environment in minutes by enhancing your workspace with Sidekicks and Elements designed to fit the needs of any workplace. Products included in this category: PLANTER HOOK, OLLI COAT RACK, OLLI FRAME, OLLI MEETING TABLE, STACKABLE CADDY, STACKABLE PLANTER, STACKABLE STORAGE, OLLI PLUG, BAG HOOK, TUCK, MIX INFILLS, SWING END PANEL, FADE CABLE CHASE, and NEST.





Email hello@madebypair.com for more information.