

# Saltine.

A crisp thin screen that's user adjustable to fit your privacy needs. Saltine provides above and below coverage in multiple materials. Add to Saltine's functionality by selecting tackable PET. For custom material exploration, reach out to your Pair representative.

## DIMENSIONS

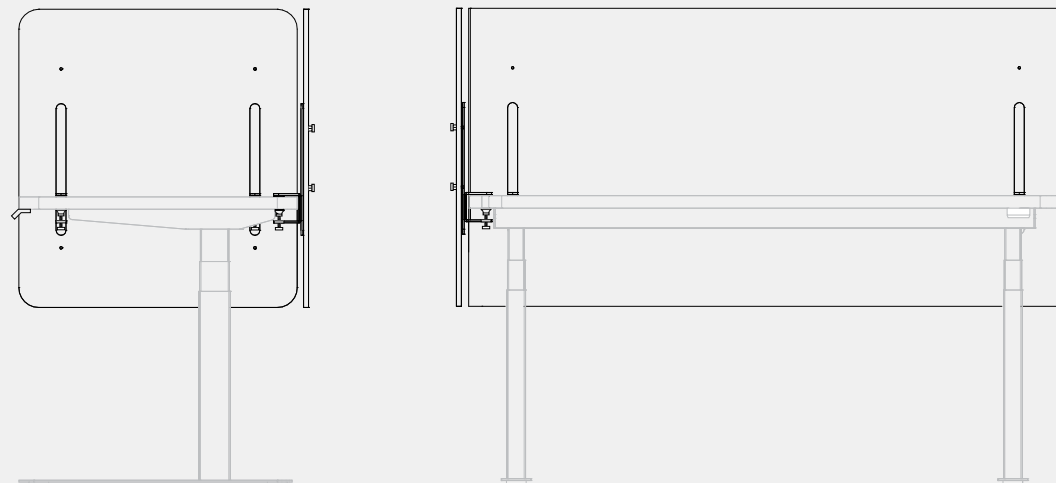
Front Screen Width:	47.5"W   53.5"W   59.5"W   65.5"W   71.5"W
Side Screen Width:	28"W
Screen Thickness:	18mm (PET)
Overall Height:	30"H
Above Surface Height:	12.5" - 24.5"H (6" increment adjustments)

## STYLES

Corner:	Square   Radius
---------	-----------------

## FINISHES *(Refer to Pair Palette)*

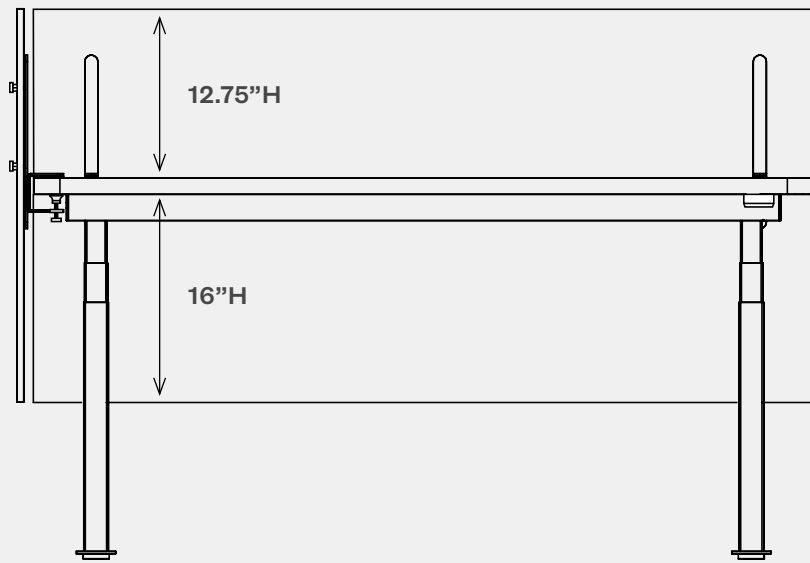
Screen:	PET
Bracket:	Metal
Exterior Hardware:	Black



radius shown

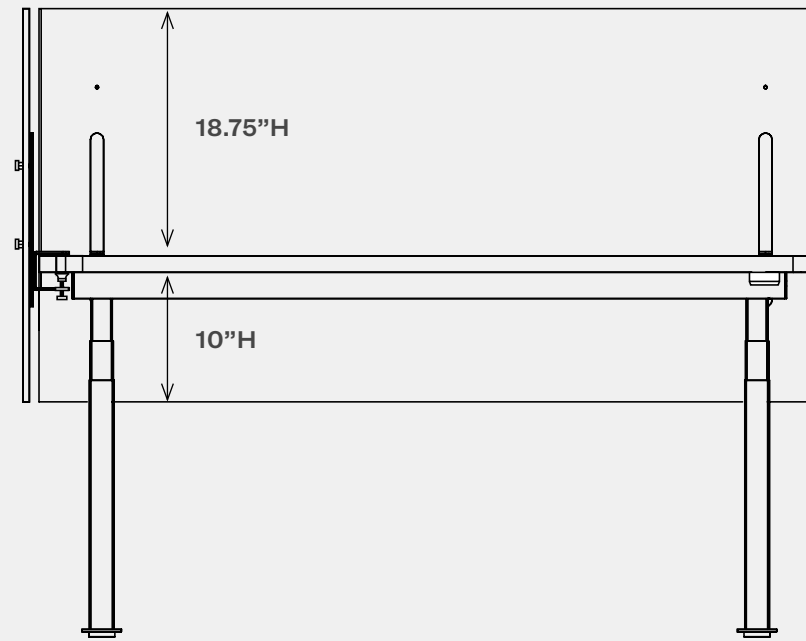


SALTINE | HEIGHTS

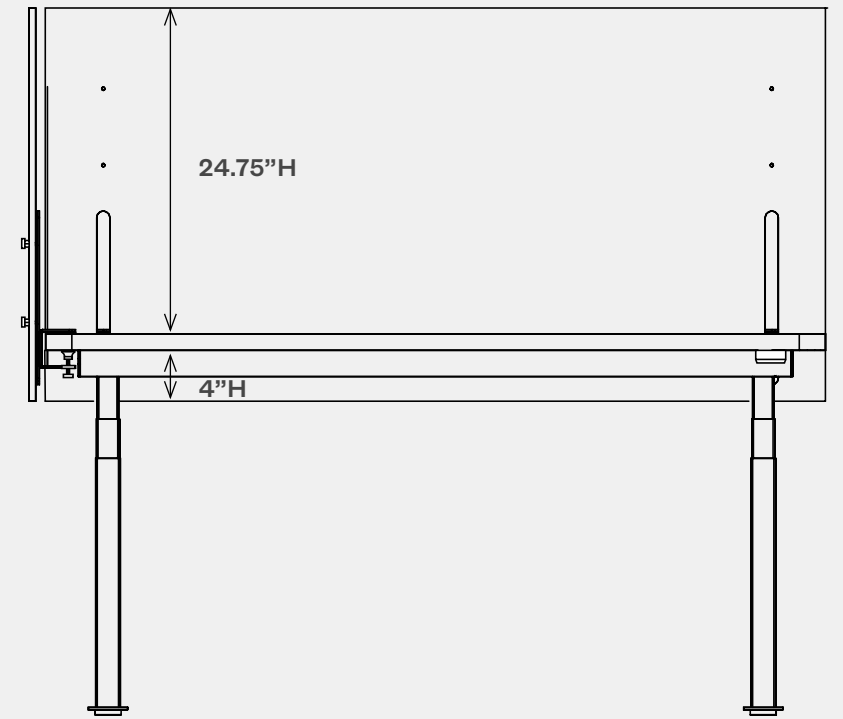


Low

*\*Dimensions based on Belay surface thickness of 1.25"*



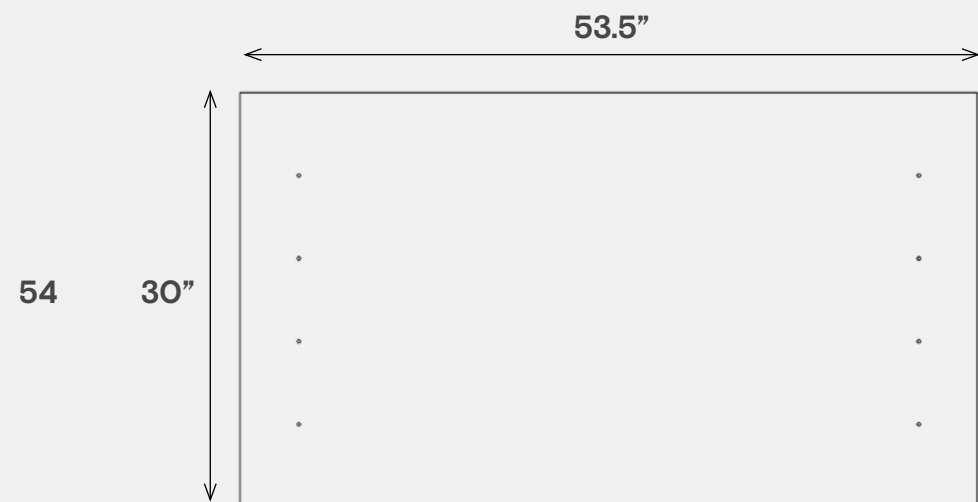
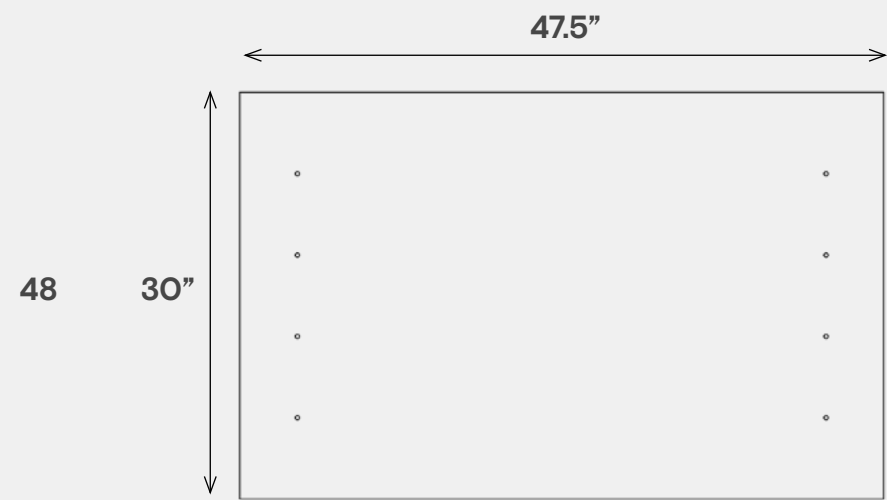
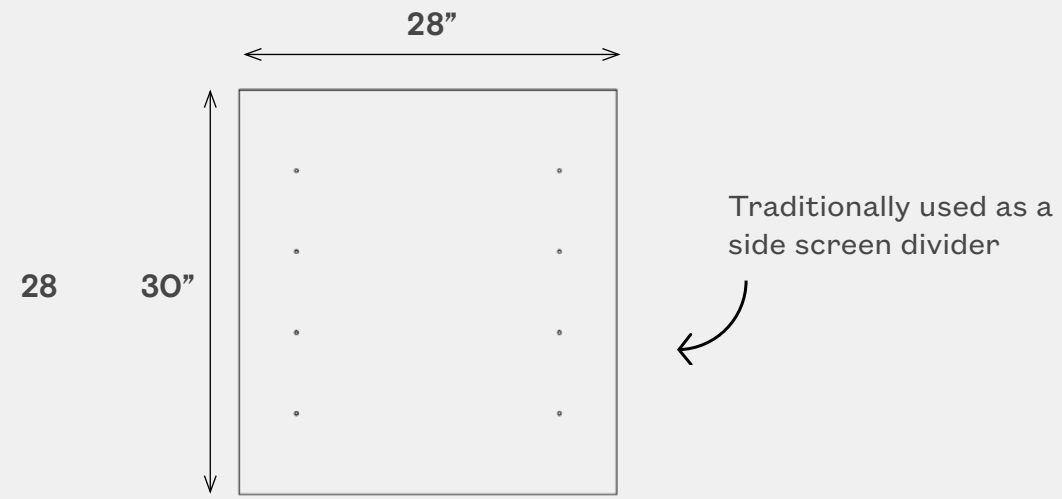
Mid



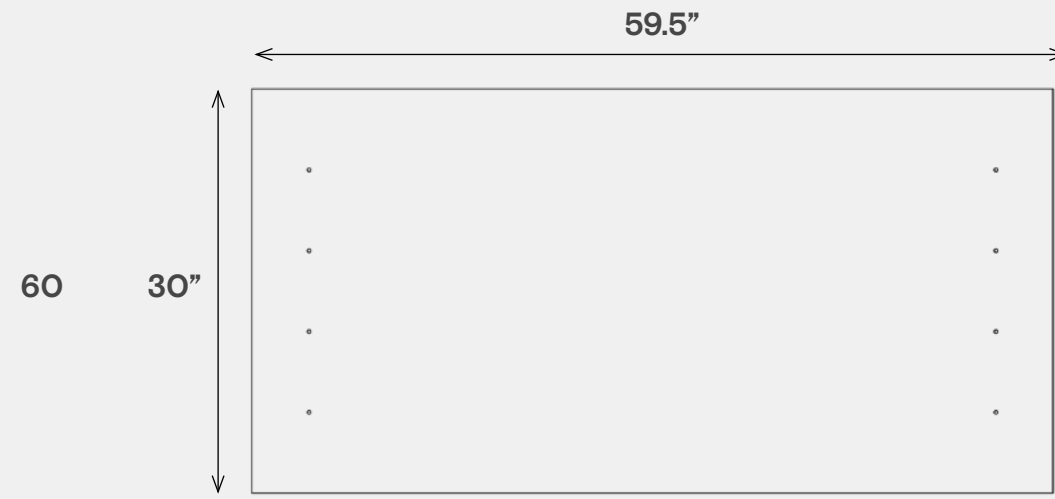
High

SALTINE | DIMENSIONS

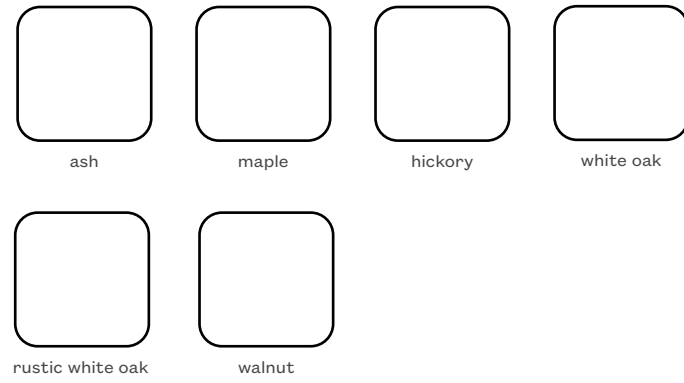
Module



Module

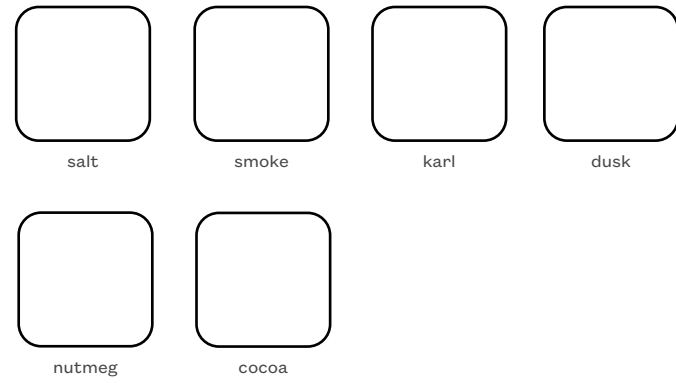


## VENEER



## WRAPPED LAMINATE

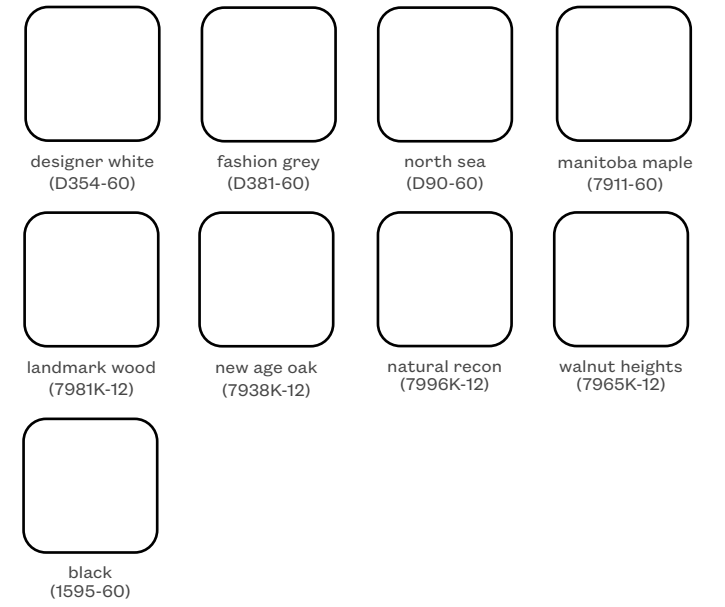
*\*woodgrains contain texture*



## SOFT TOUCH LAMINATE



## LAMINATE

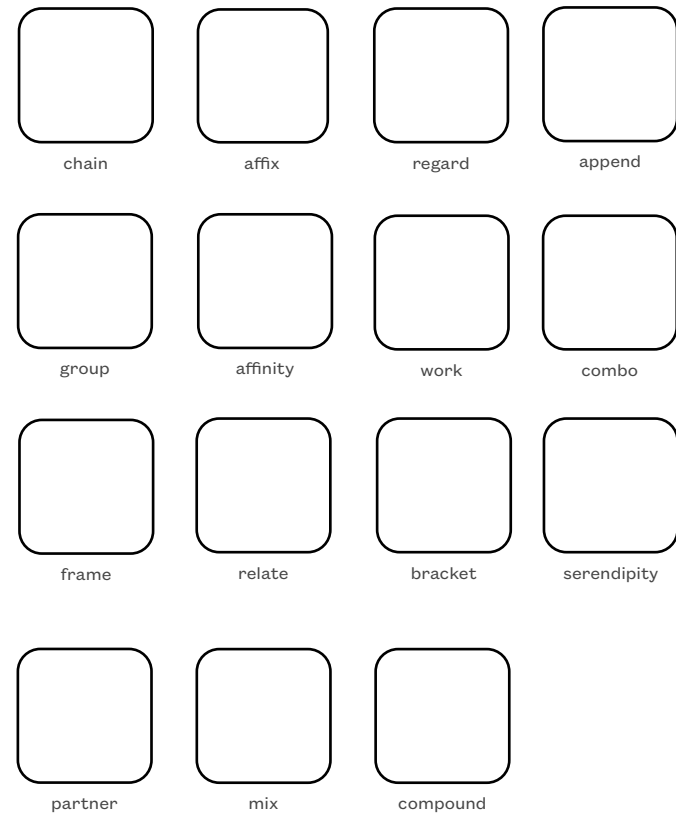


## METAL

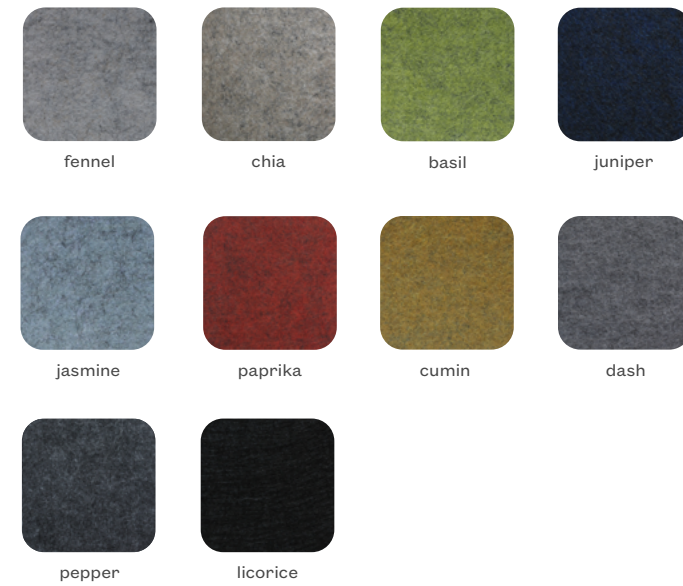


## WOOL

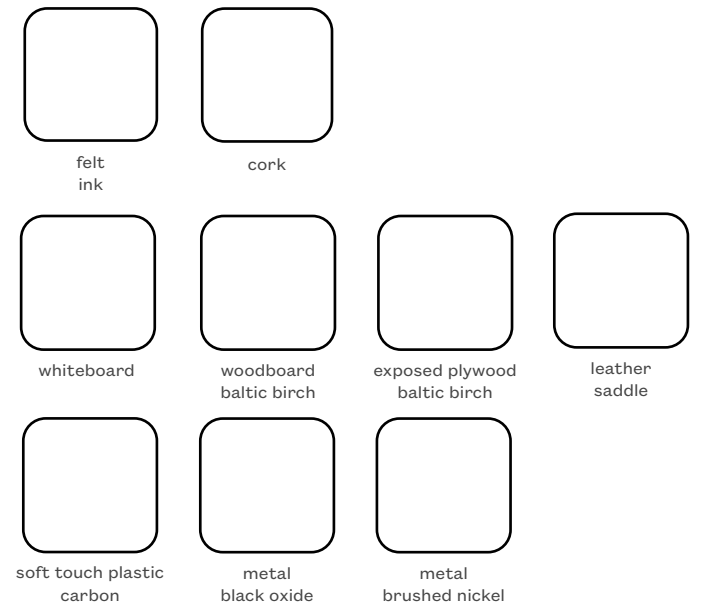
*\*additional colorways available at a premium*



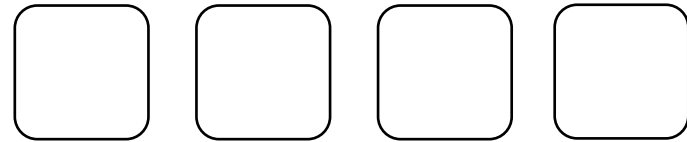
## PET



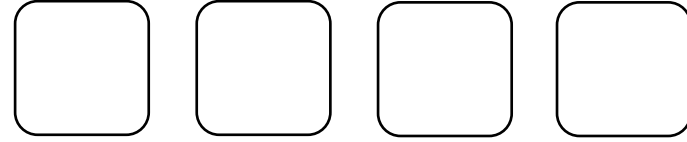
## MISCELLANEOUS



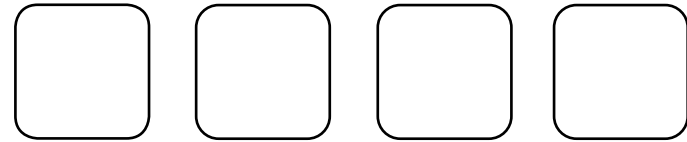
SOFT TOUCH GLASS



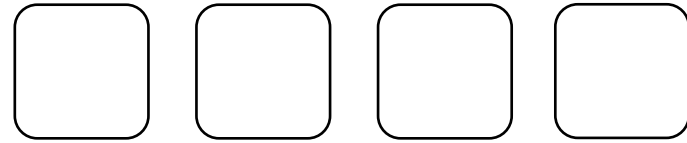
olive storm ash gumby



wave apollo carbon abyss

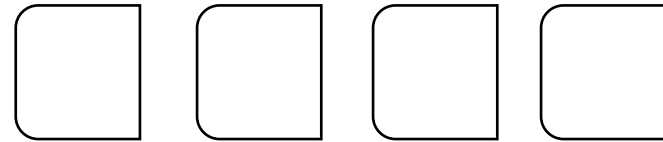


midnight ghost mist sunny

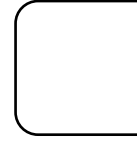


blush rouge salmon fire

BUZZIFELT



orange offwhite stonegrey lightblue



jeans

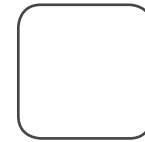
BIO PLASTIC



sage forest ocean navy



clay eggshell ochre blossom



terracotta

## SCS IAQ GOLD

SCS Global Services certified for low VOC emissions with the most transparent indoor air quality (IAQ) standard for furniture and building materials. The Indoor Advantage and Indoor Advantage Gold standard aligns with both ANSI/BIFMA M7.1 and X7.1, and CA 01350. It is recognized by the EPA and GSA, and qualifies for many building rating systems, including LEED v4, BREEAM, WELL Building, and Living Building Challenge.

## HPD TESTED

The HPD provides a chemical inventory of a building product and characterizes the level of concern about each ingredient. Most, if not all, of the chemicals in the product are disclosed by Pair, providing greater transparency in selecting products for buildings.

### Untethered Power System:

This HPD includes the Pair product lines for workstations: SWING, SWING JR., SIMPLE BEAM, and OLLI. These systems are comparable in product attributes because they include a freestanding beam for power and data distribution. The power system can be used to delineate space and support various modes of individual and collaborative work.

### Fabric:

This HPD covers fabric accessories to the Pair Product lines. Traverse from focus work to a collaborative environment in minutes by enhancing your workspace with Sidekicks offering screening and seating solutions designed to fit the needs of any workplace. Includes products: OLLI/SWING, POWER SLEEVE, BYOT POWER SLEEVE, FELT CABLE MANAGER, SWING BEAM MOUNTED SCREEN, SWING MODESTY, OLLI CUSHION, OLLI BUTTERFLY SCREEN, MIX DIVIDER SCREEN, HANGING BOARD, and HANGING SCREEN.

### Metal & Wood:

This HPD covers wood and metal accessories to the Pair Product lines. Traverse from focus work to a collaborative environment in minutes by enhancing your workspace with Sidekicks and Elements designed to fit the needs of any workplace. Products included in this category: PLANTER HOOK, OLLI COAT RACK, OLLI FRAME, OLLI MEETING TABLE, STACKABLE CADDY, STACKABLE PLANTER, STACKABLE STORAGE, OLLI PLUG, BAG HOOK, TUCK, MIX INFILLS, SWING END PANEL, FADE CABLE CHASE, and NEST.





**madebypair.com**

Email [hello@madebypair.com](mailto:hello@madebypair.com) for more information.