

# Swing.

Not your average workstation.

More than a power source, Swing is a platform for creativity. Designed with accessories and customization in mind, Swing makes work feel a lot like a home with a workspace you control.



REVISED MARCH 2024



## SWING

## CLUSTER SIZE

2PK | 4PK | 6PK | 8PK | 10PK

## DIMENSIONS

Module: 48 | 54 | 60 | 66 | 72  
Heights: Low (29"H) | Bar (42"H) | High (60"H)  
Overall Depth: 14"D  
Shared Surface: 11.5"D x 0.75"H

## DESIGN DETAILS

Glide: 1.5" Leveler

## POWER

Duplex: (2) per user  
Circuit Distribution: 2PK 2-Circuits | (2) Line 1, (2) Line 2  
4PK 2-Circuits | (4) Line 1, (4) Line 2  
6PK 3-Circuits | (4) Line 1, (4) Line 2, (4) Line 3  
8PK 4-Circuits | (4) Line 1, (4) Line 2, (4) Line 3, (4) Line 4  
10PK 4-Circuits | (5) Line 1, (5) Line 2, (5) Line 3, (5) Line 4

Circuit Keying:  
Controlled Circuit Duplex

3+1 (default) | 2+2  
Stamped | Colored  
*\*Controlled duplex not included unless requested*  
Data: (1) knockout for data per user  
Data Knockout Dimension: 2.75"W x 1.375"H can accommodate 4 data port plate  
Infeed (UL Listed): 72"L, Metallic Liquid Tight, Hardwired, Straight Coupler

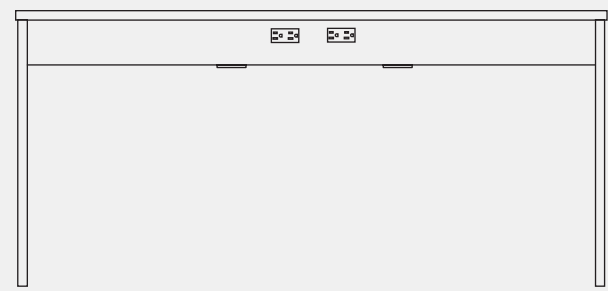
*\*For additional power information and non-standard options see the Pair Power Understanding Guide*

## FINISHES *(Refer to Pair Palette)*

Shared Surface: Veneer | Laminate | Wrapped Laminate  
Shared Surface Edgeband: Exposed Baltic Birch Plywood  
Base | Frame: Metal  
Duplex: Black | White

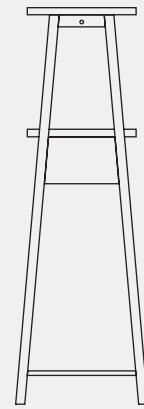


SWING | HEIGHTS



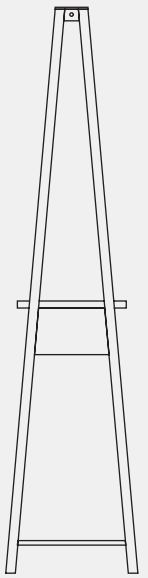
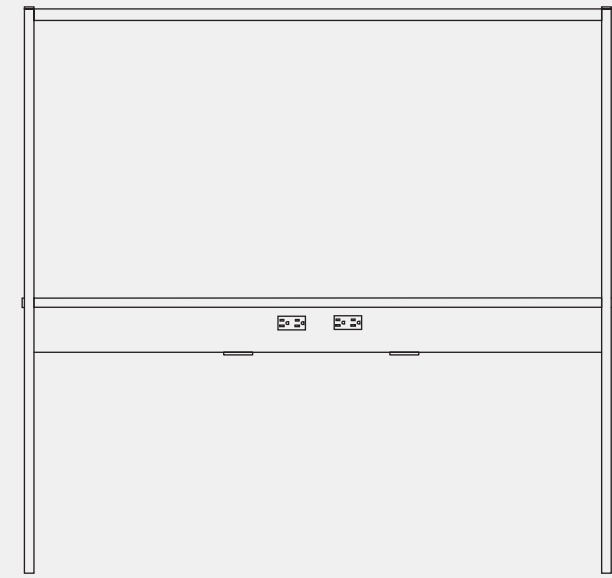
29" H

Swing - Low



42" H

Swing - Bar



60" H

Swing - High

## SWING | SIDEKICKS

### FINISHES

### HANGING ELEMENTS

Shared Surface:	Veneer   Laminate   Wrapped Laminate
Shared Surface Edgeband:	Baltic Birch Exposed Plywood
Base   Frame:	Metal
Hanging Screen:	Wool   PET   BuzziFelt
Hanging Screen Stitching:	Charcoal Grey
Hanging Board:	Whiteboard   Writable Baltic Birch
Hanging Board Edgeband:	Baltic Birch Exposed Plywood
Marker Cup:	Metal (to match frame)
Modesty:	Wool (metal to match base)

### SIDEKICKS

Stackable Storage:	Metal
Stackable Planter:	Metal (liner not included)
Stackable Caddy:	Metal
Planter Hook:	Metal (to match frame)
End Panel (UL Listed):	Metal   Veneer   Laminate   Wrapped Laminate
Power Infeed sleeve:	Wool

### PERFECT PAIR-ING

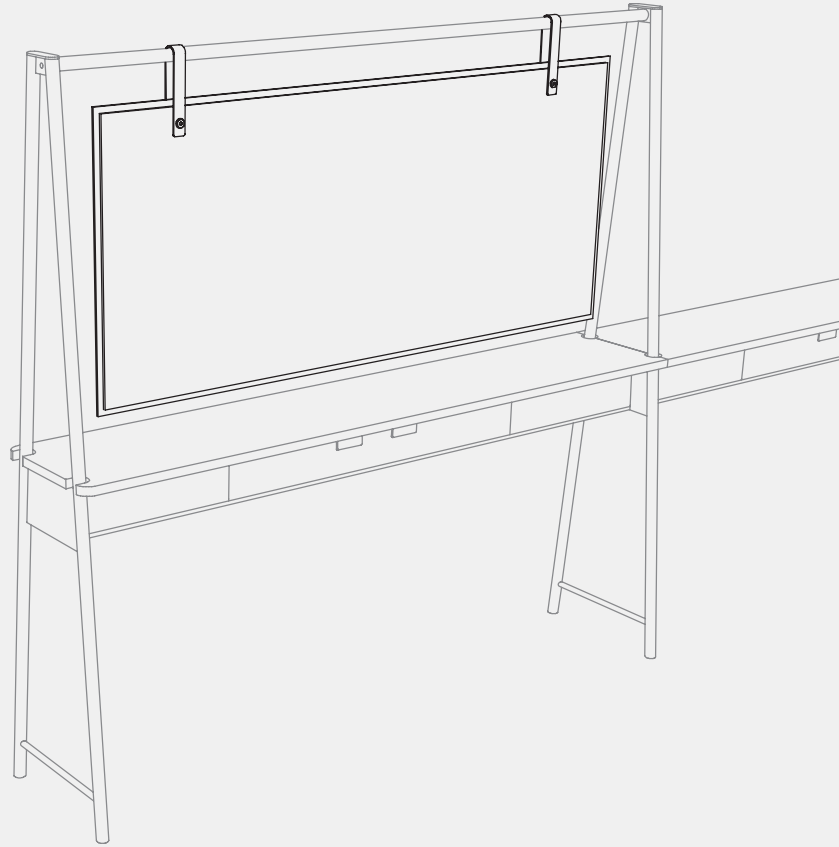
*(Refer to Product Brochures)*

Belay	Work
-------	------

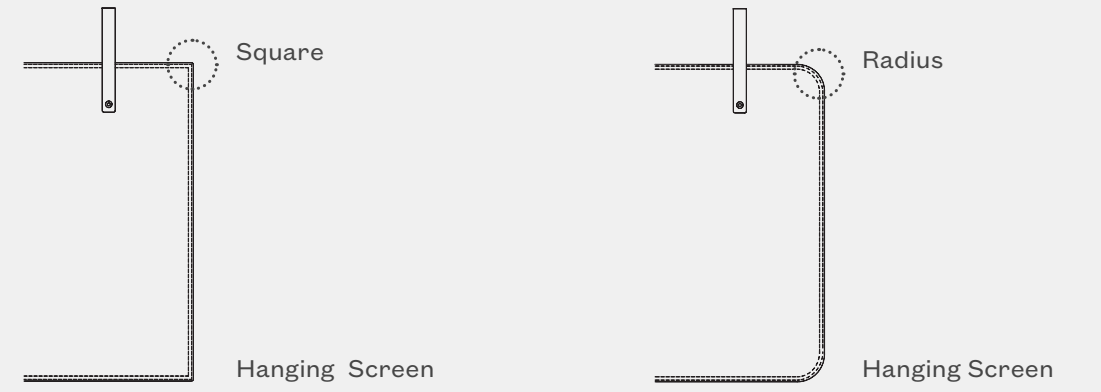


**SWING | SIDEKICKS**

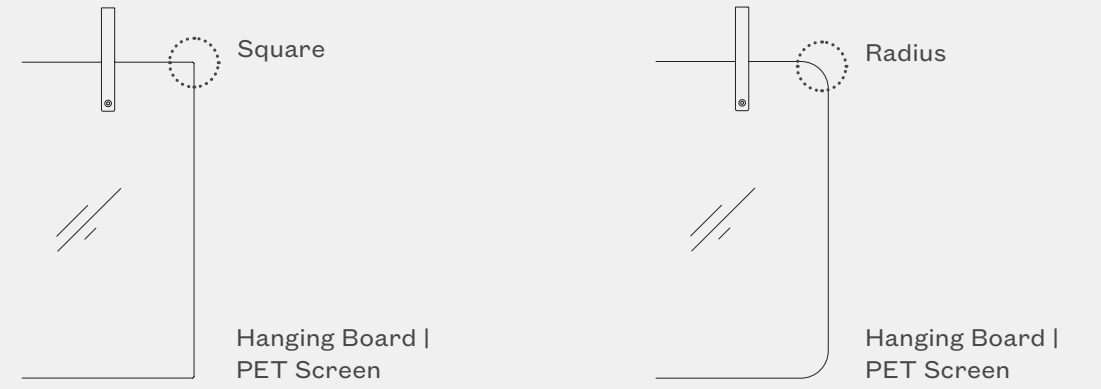
**Hanging Screen**  
 Module: 48 | 54 | 60 | 66 | 72



**Hanging Screen Details**

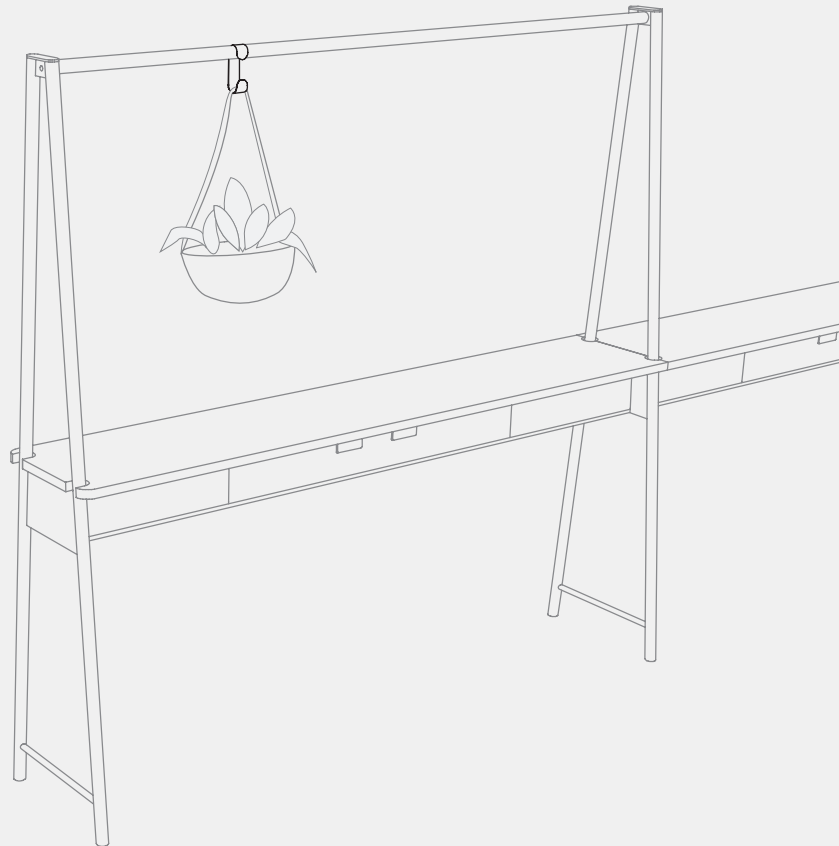
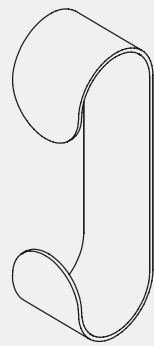


**Hanging Board Details**

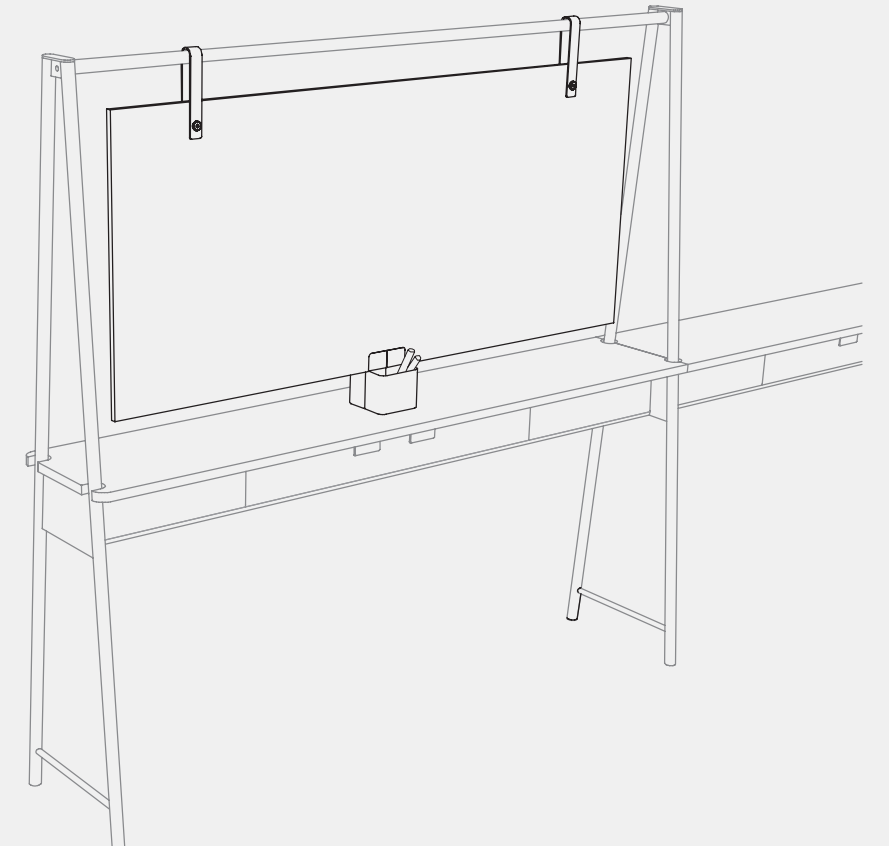


**Planter Hook**  
 Dimensions: 1"W x 4"H

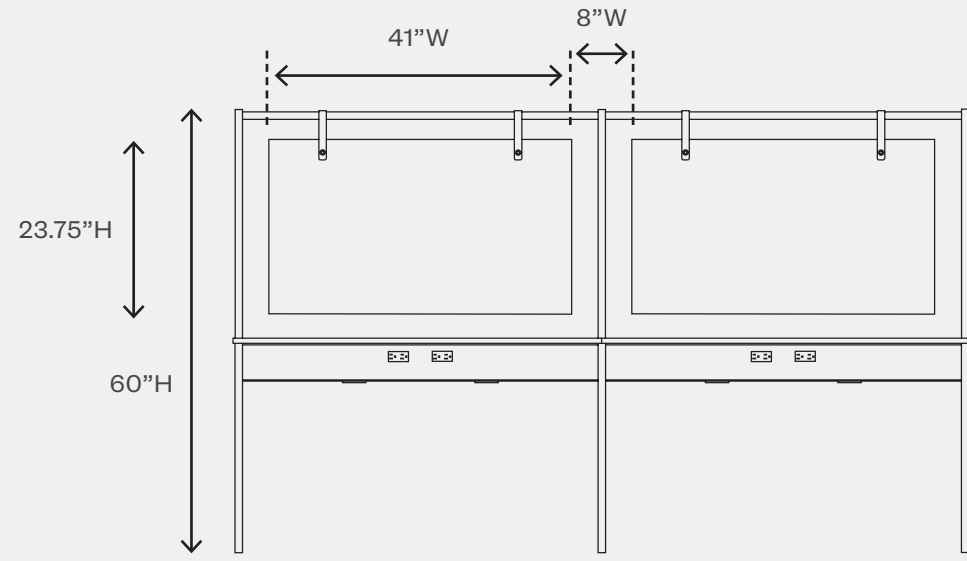
*\*Hanging planter not included*



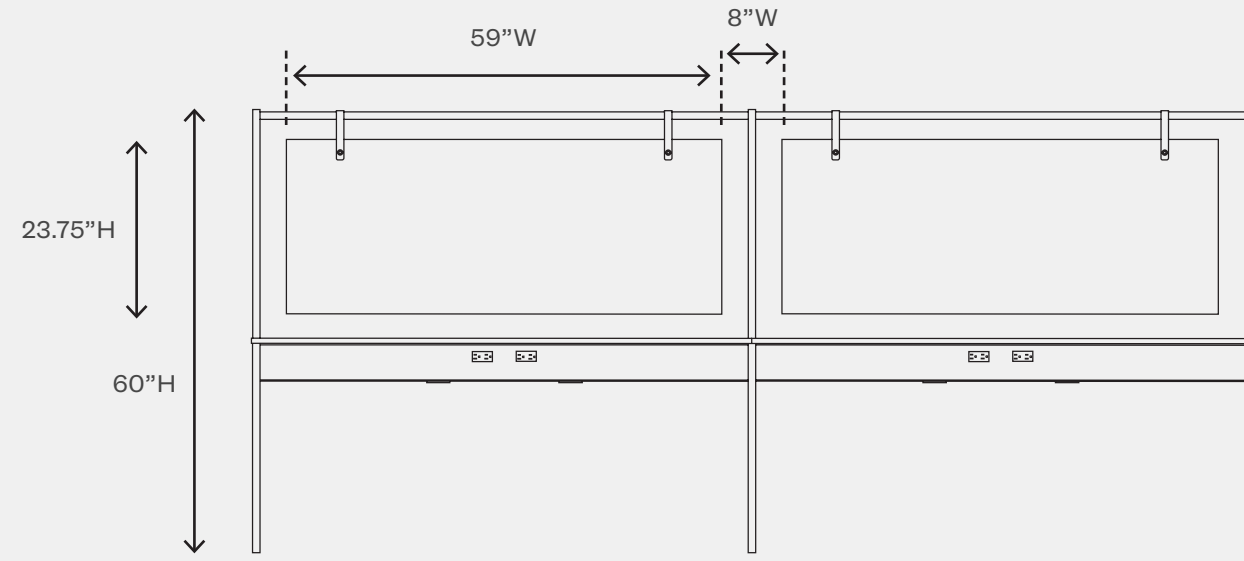
**Hanging Board**  
 Module: 48 | 54 | 60 | 66 | 72  
 60"H AFF



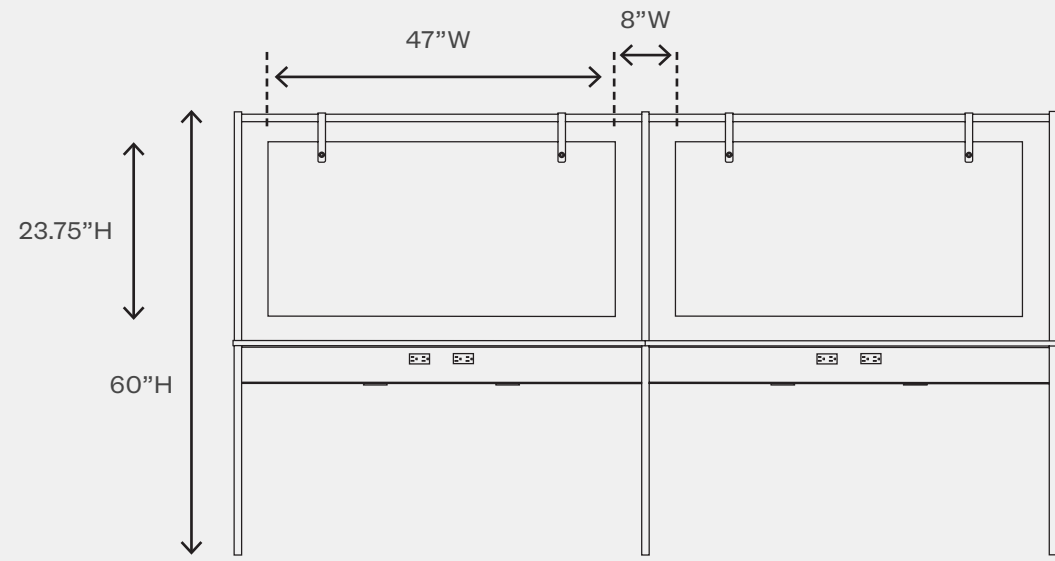
SWING | SCREENS - HIGH



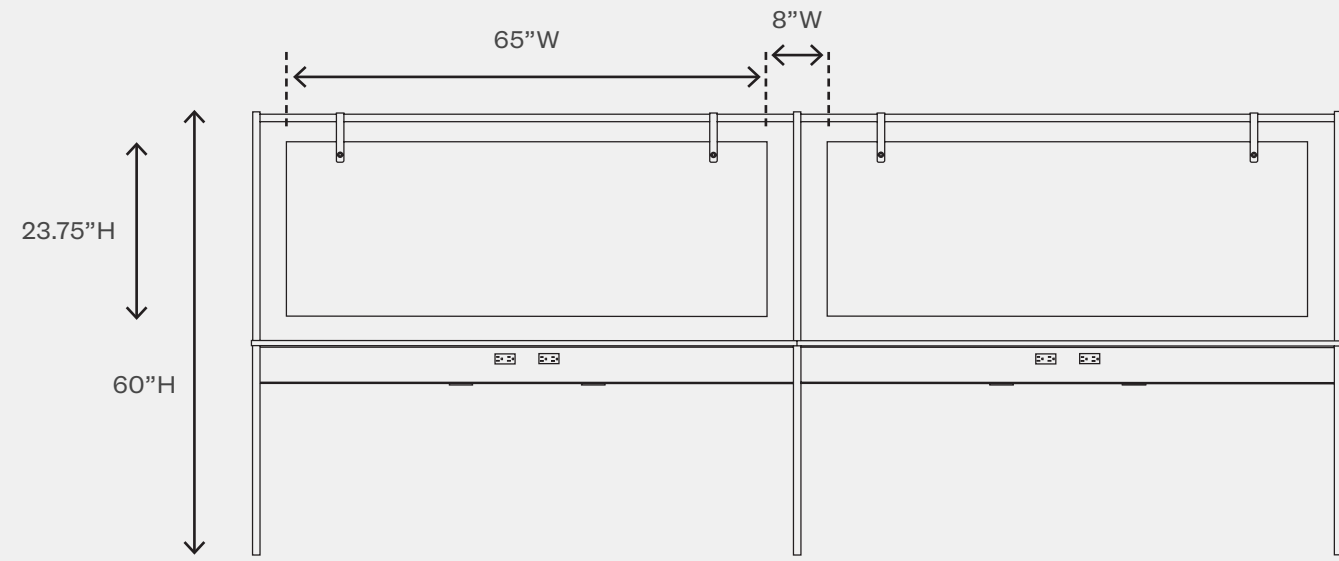
Module 48



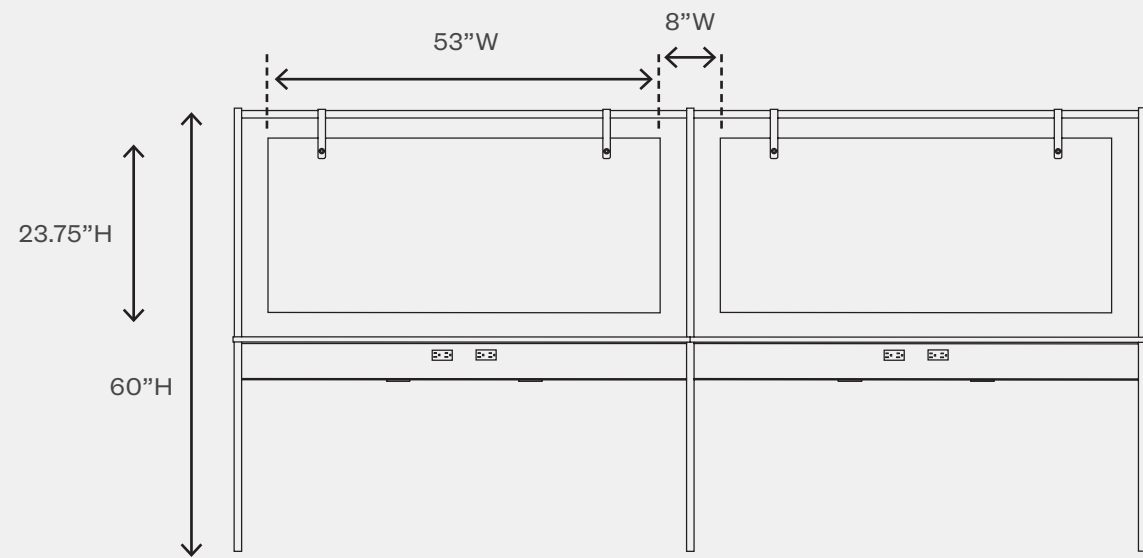
Module 66



Module 54

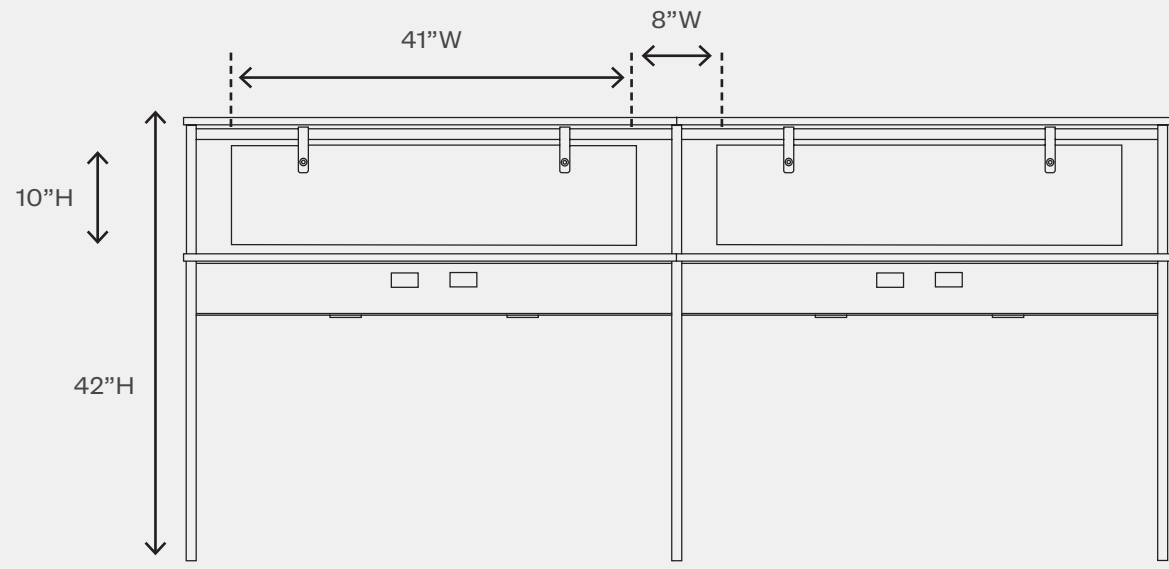


Module 72

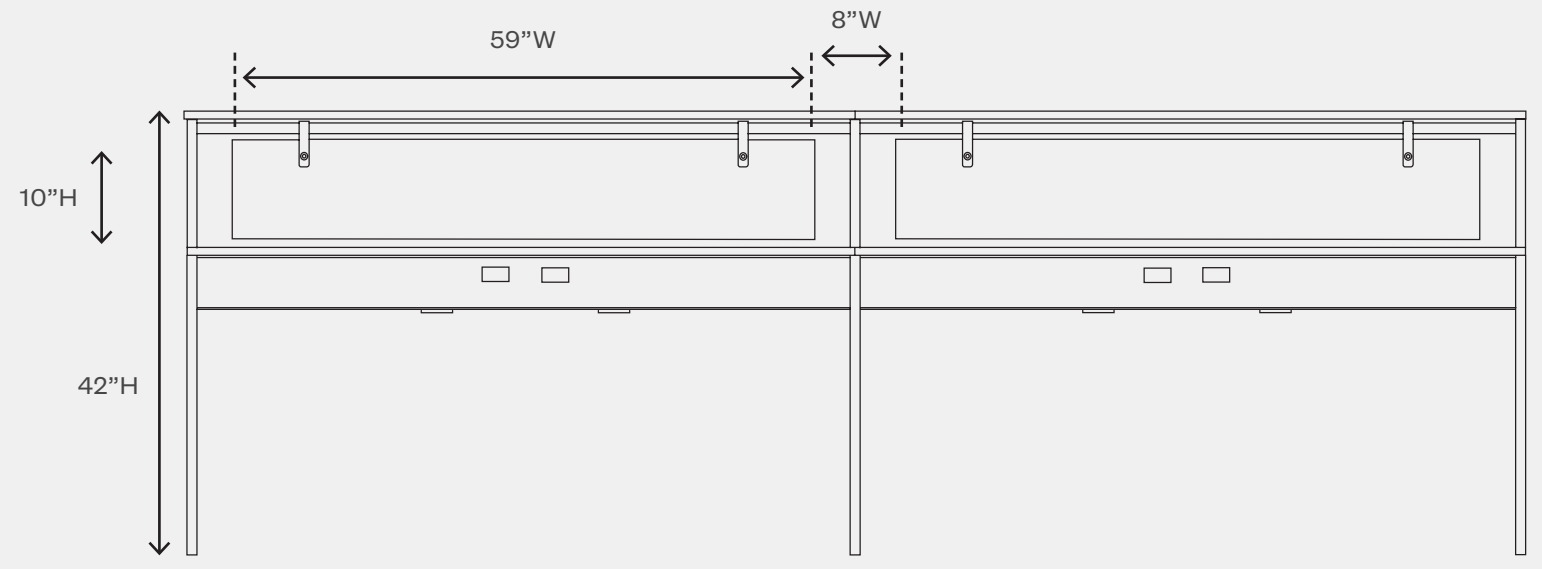


Module 60

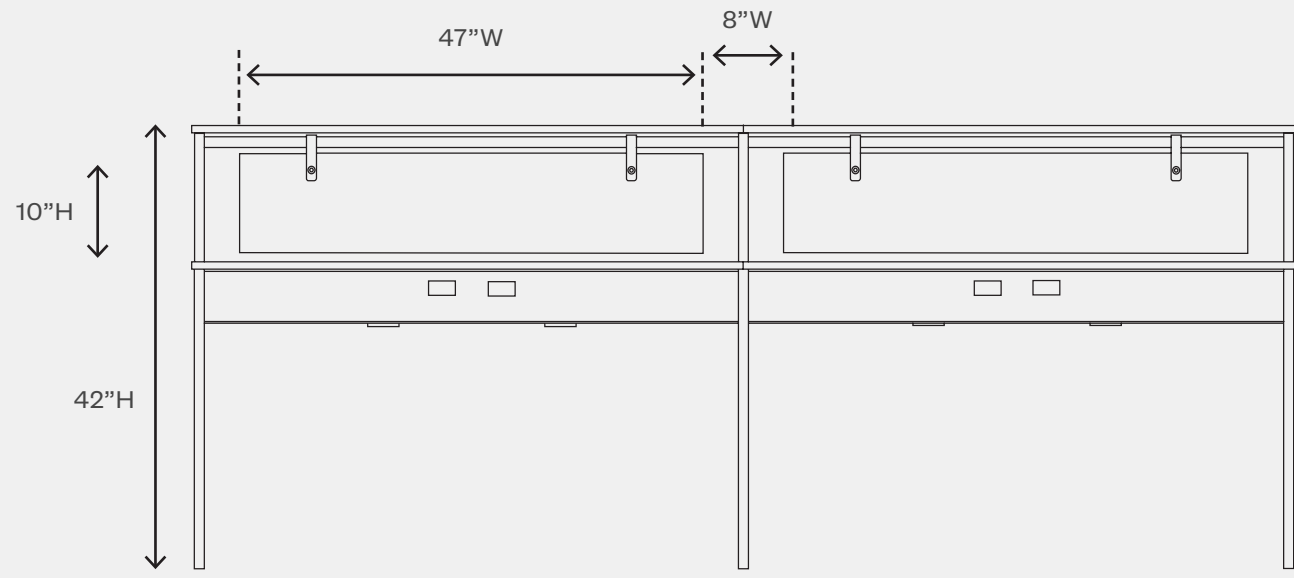
SWING | SCREENS - BAR



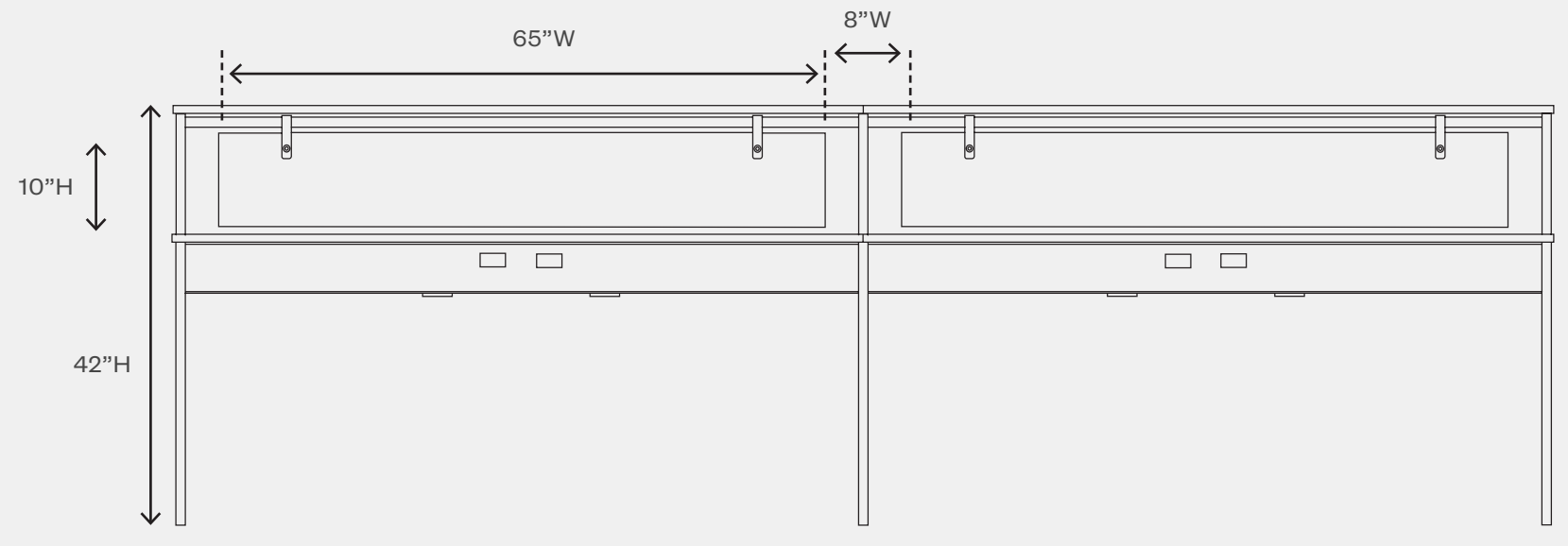
Module 48



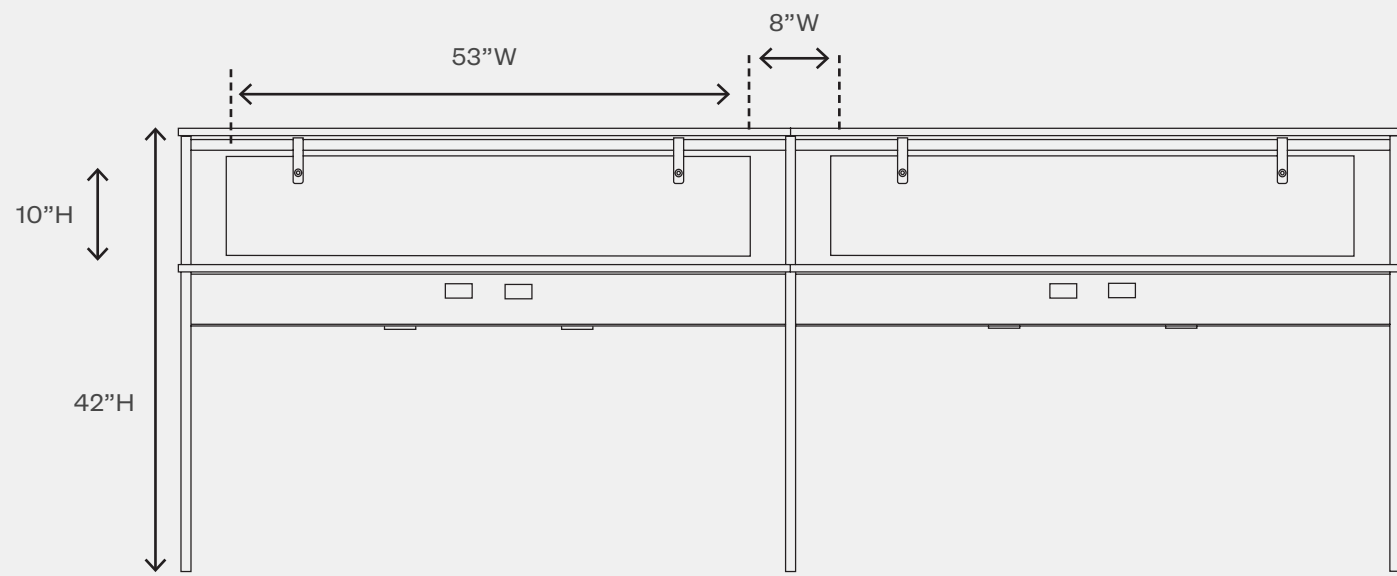
Module 66



Module 54

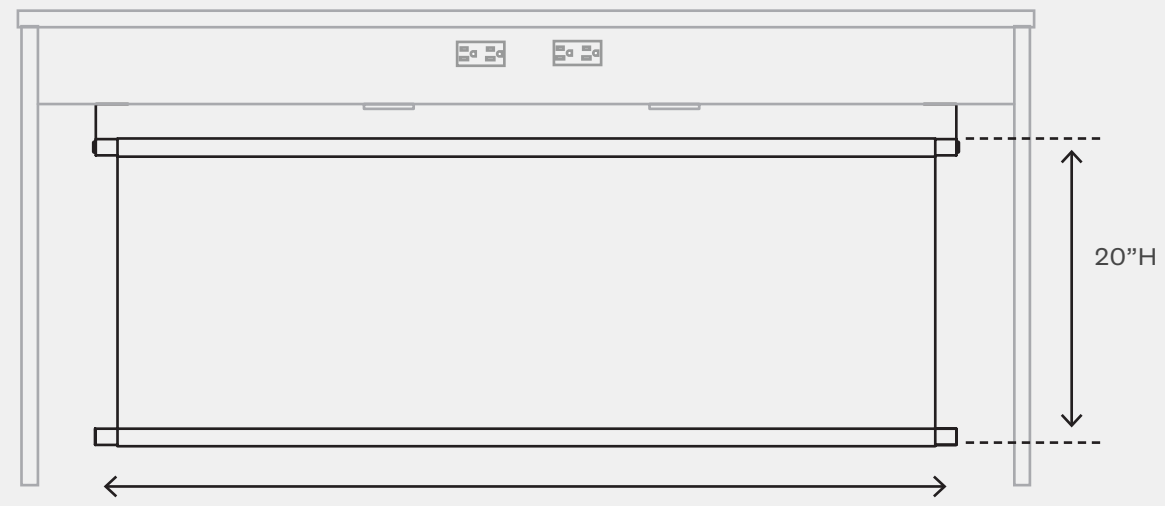


Module 72



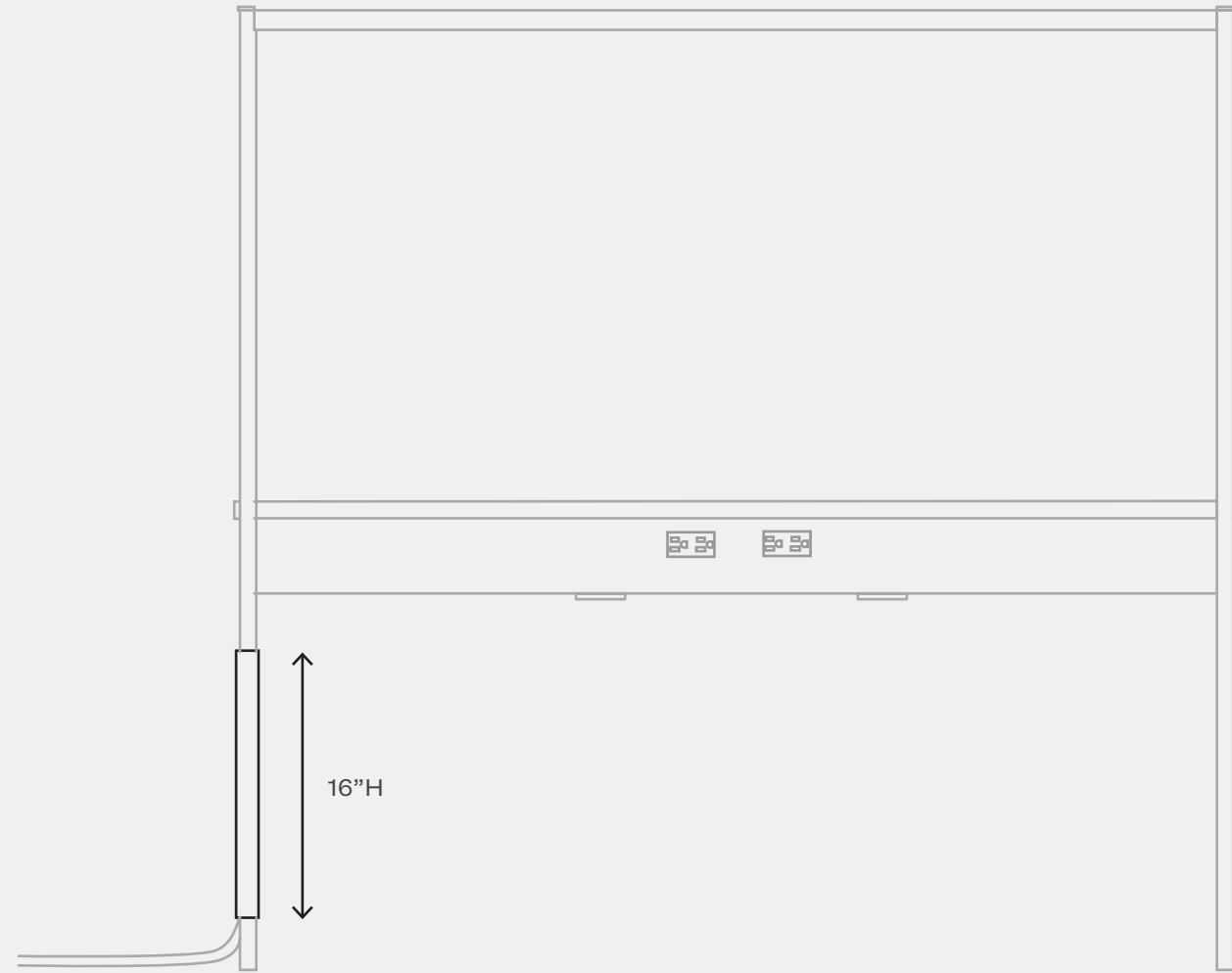
Module 60





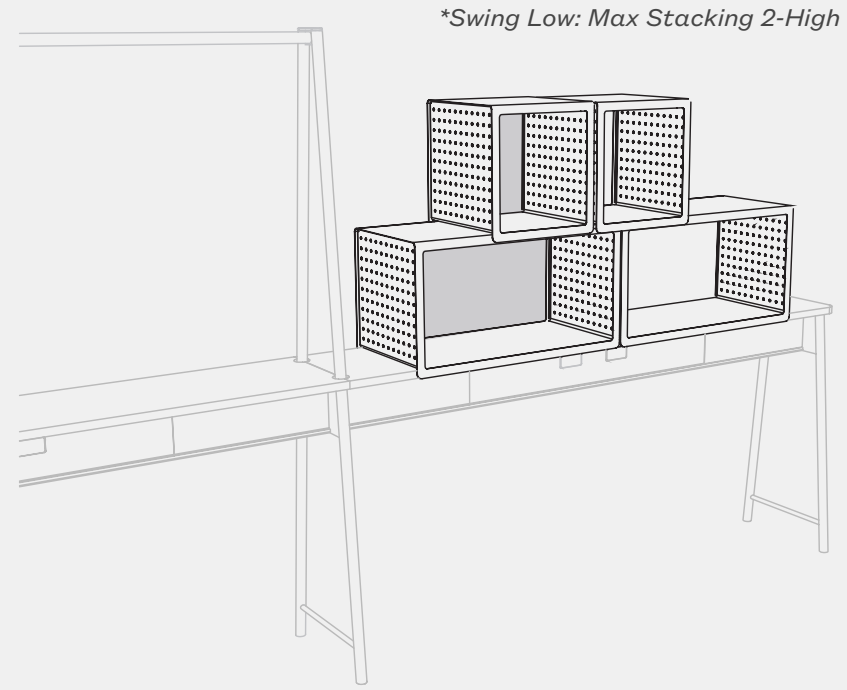
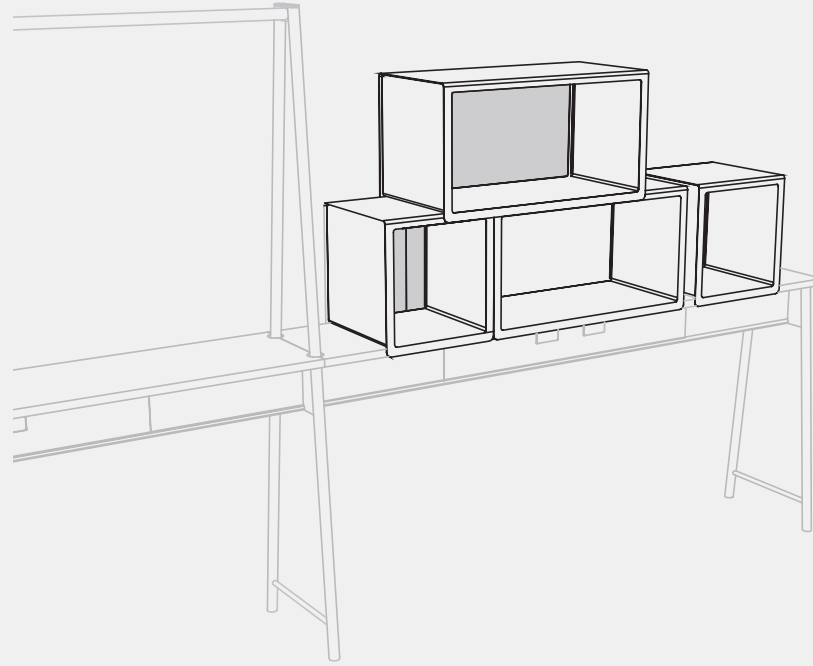
Swing Modesty

Module



Power Infeed Sleeve

SWING | SIDEKICKS



Stackable Storage

1x1 Open Solid  
Dimensions: 12"W x 11.75"D x 12.75"H

1x2 Open Solid  
Dimensions: 23.75"W x 11.75"D x 12.75"H

1x1 Enclosed Solid  
Dimensions: 12"W x 11.75"D x 12.75"H

1x2 Enclosed Solid  
Dimensions: 23.75"W x 11.75"D x 12.75"H

1x1 Open Perforated  
Dimensions: 12"W x 11.75"D x 12.75"H

1x2 Open Perforated  
Dimensions: 23.75"W x 11.75"D x 12.75"H

1x1 Enclosed Perforated  
Dimensions: 12"W x 11.75"D x 12.75"H

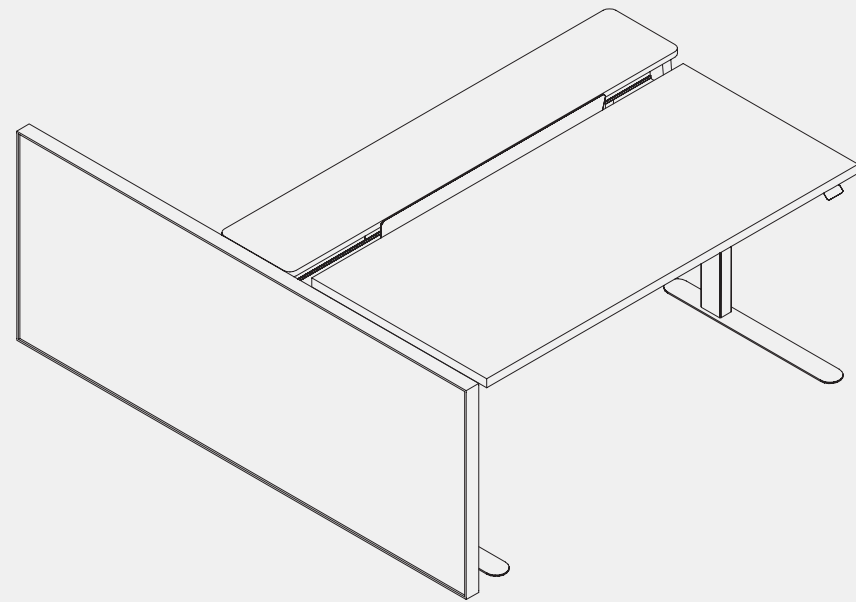
1x2 Enclosed Perforated  
Dimensions: 23.75"W x 11.75"D x 12.75"H

Stackable Planter  
Dimensions: 23.75"W x 11.75"D x 7"H  
*\*Liner Not Included*

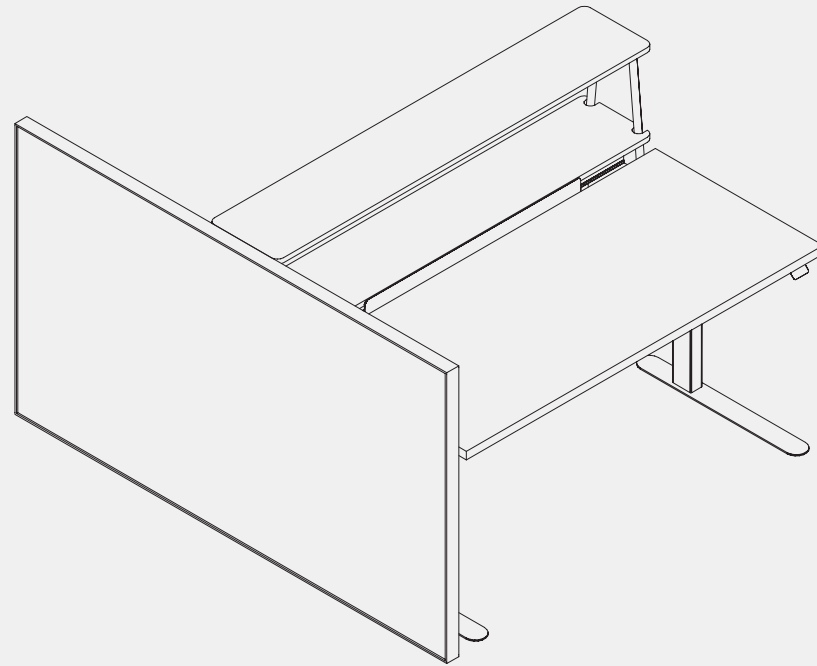
Stackable Caddy  
Dimensions: 7"W x 11.75"D x 4.25"H

SWING | END PANELS

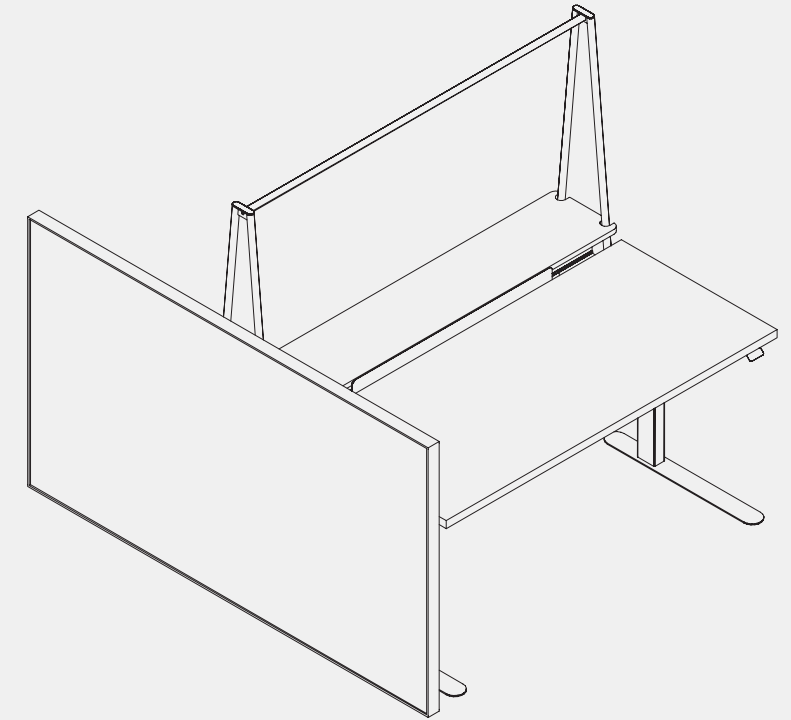




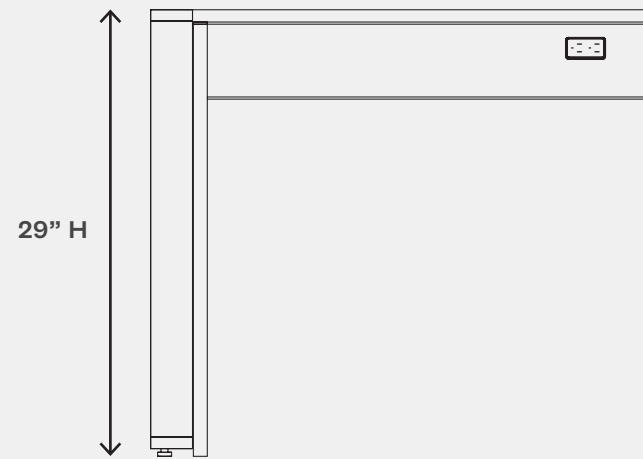
Swing Low



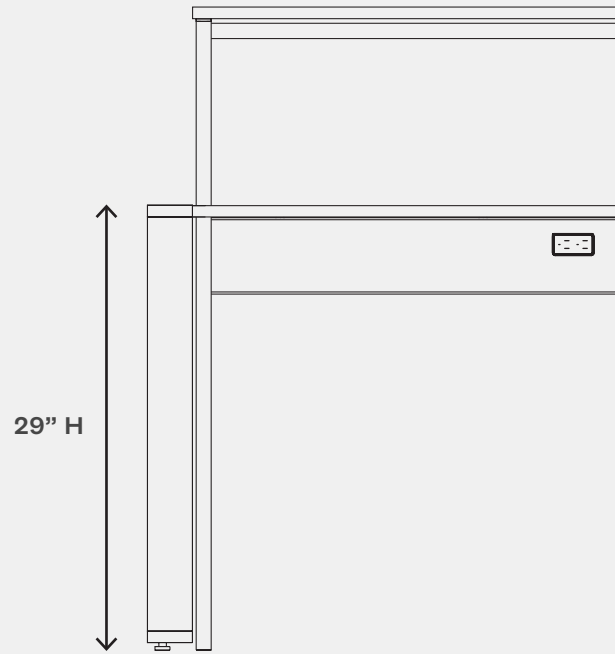
Swing Bar



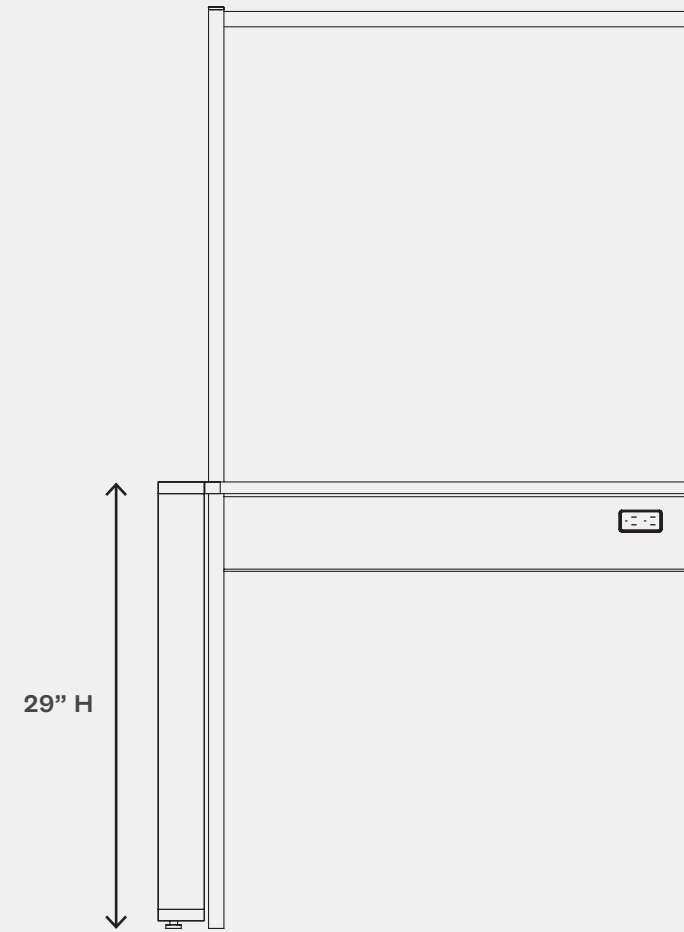
Swing High



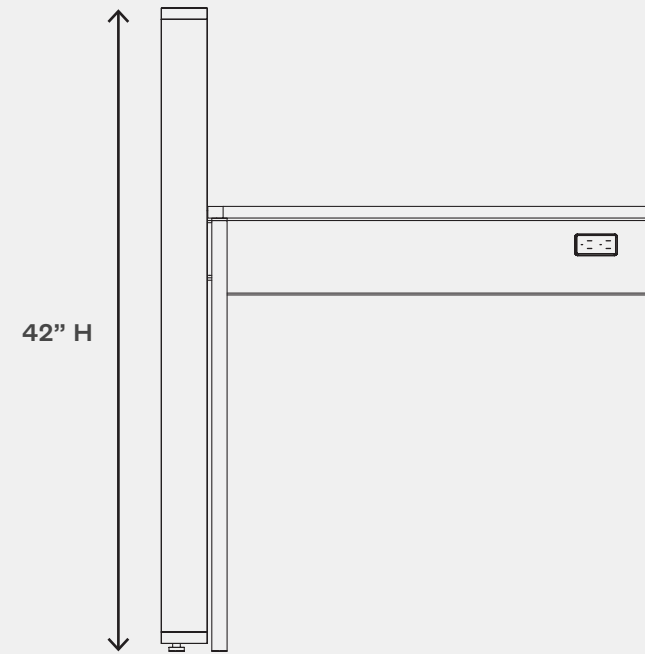
End Panel - 29"H  
On Swing Low



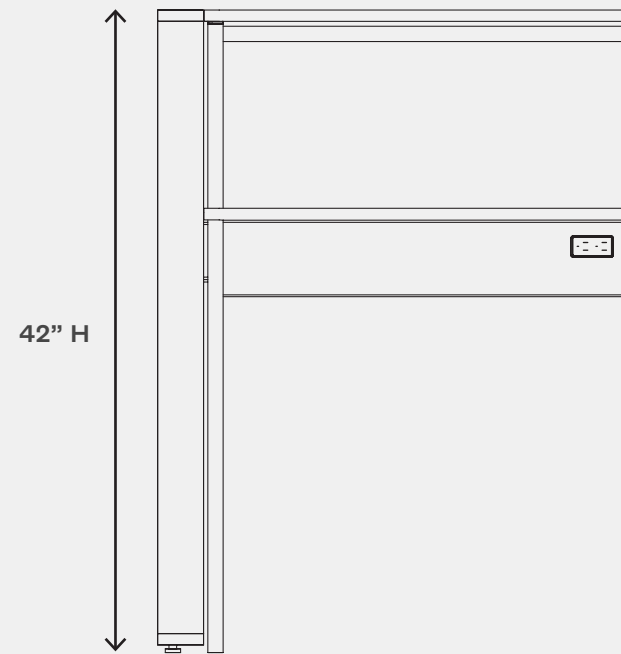
End Panel - 29"H  
On Swing Bar



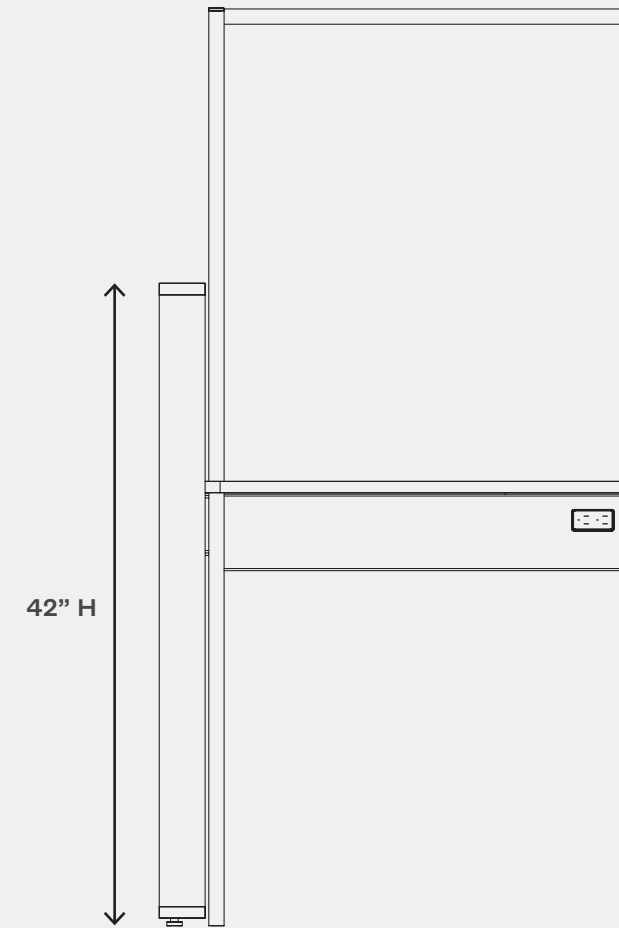
End Panel - 29"H  
On Swing High



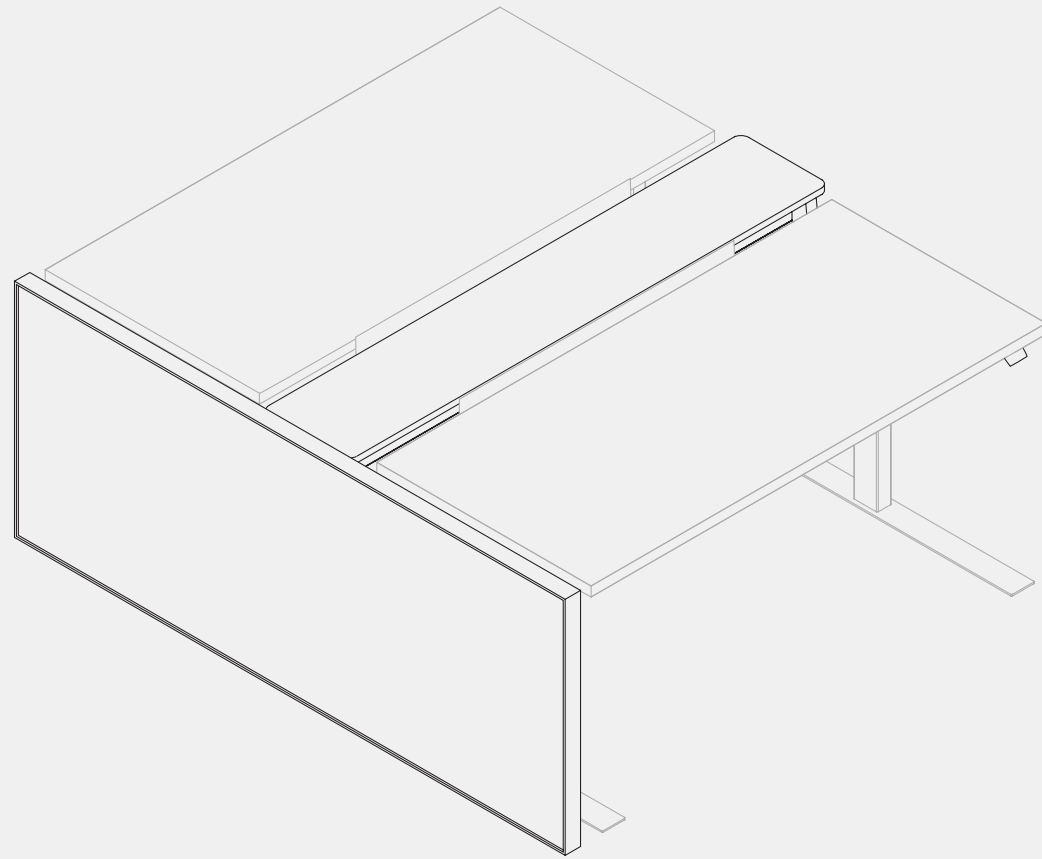
End Panel - 42"H  
On Swing Low



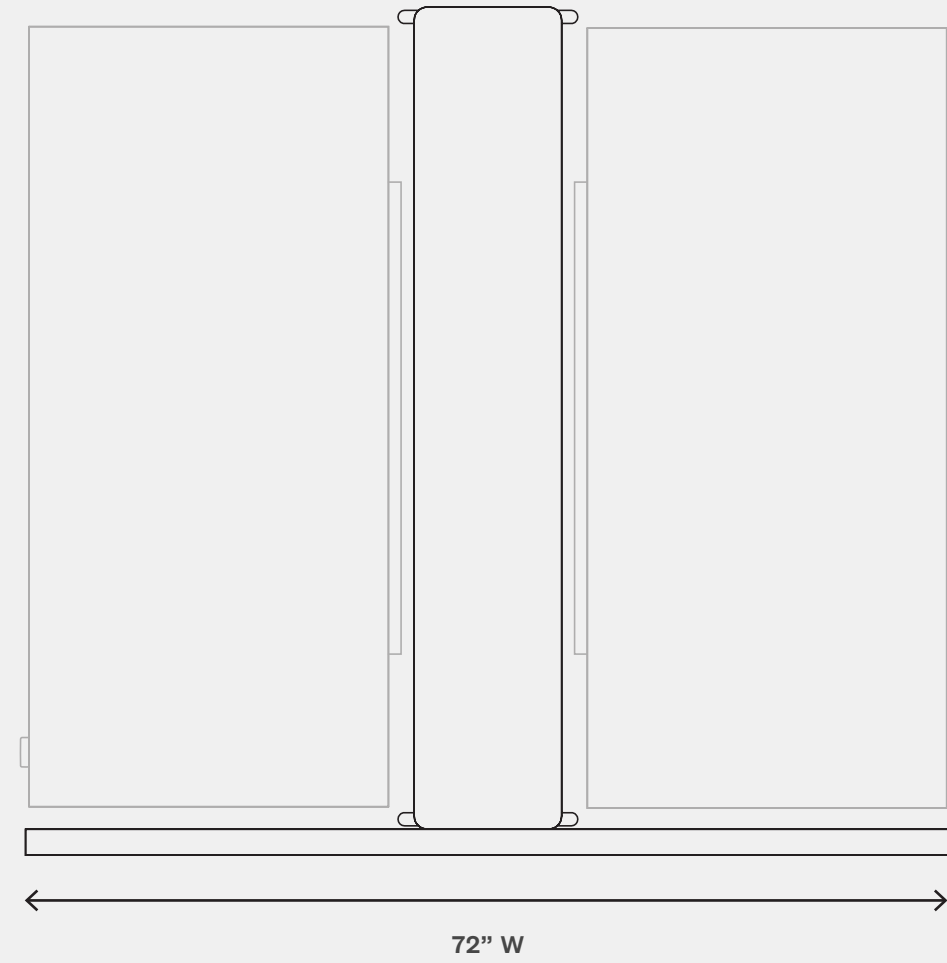
End Panel - 42"H  
On Swing Bar



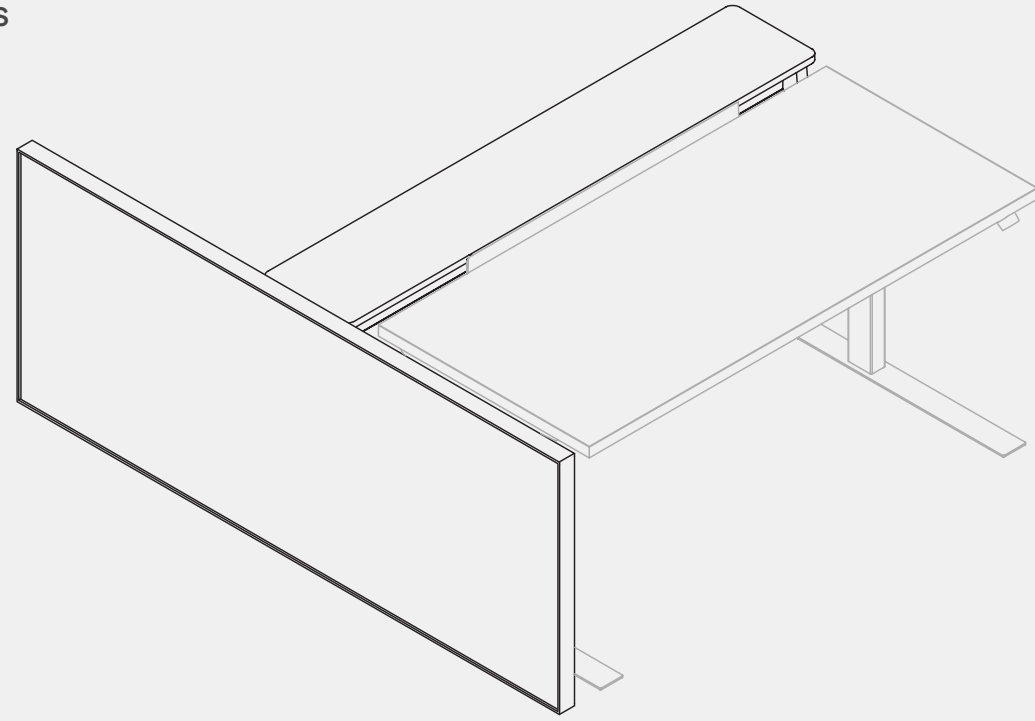
End Panel - 42"H  
On Swing High



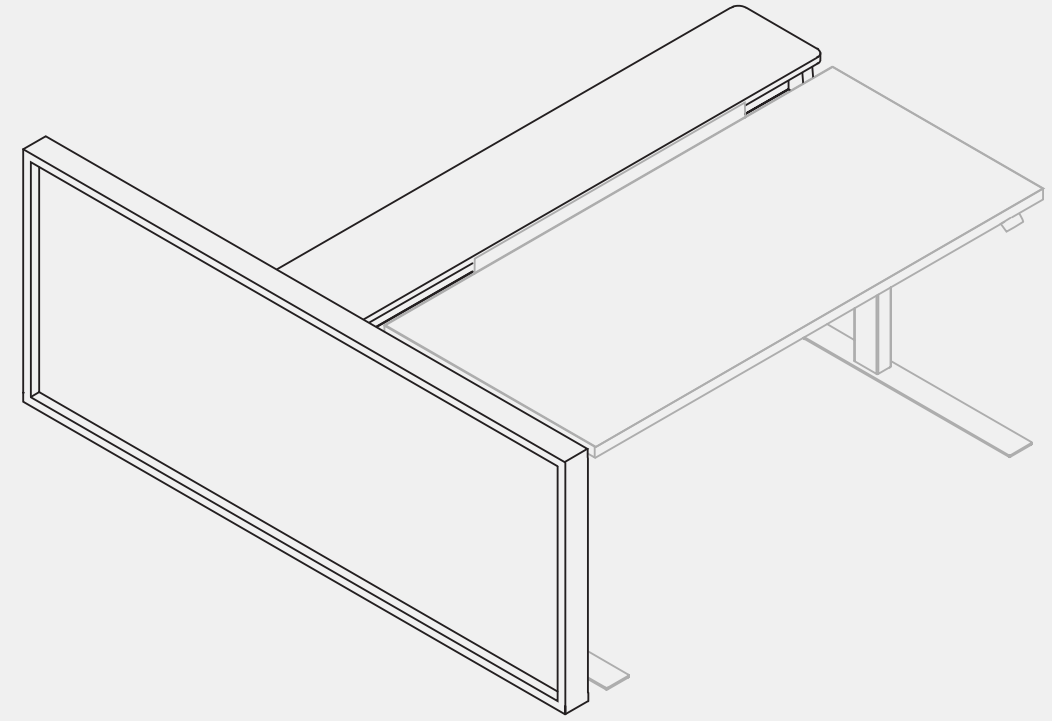
72"W for Swing with shared surface  
Shown with 28"D Belay + Tuck



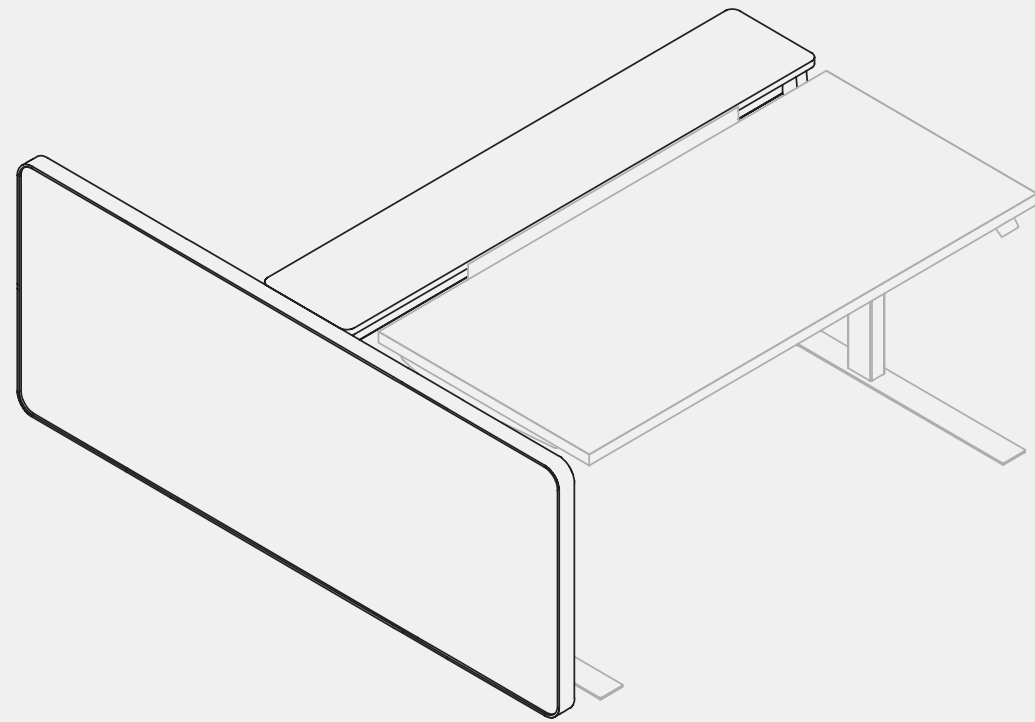
SURROUND STYLES



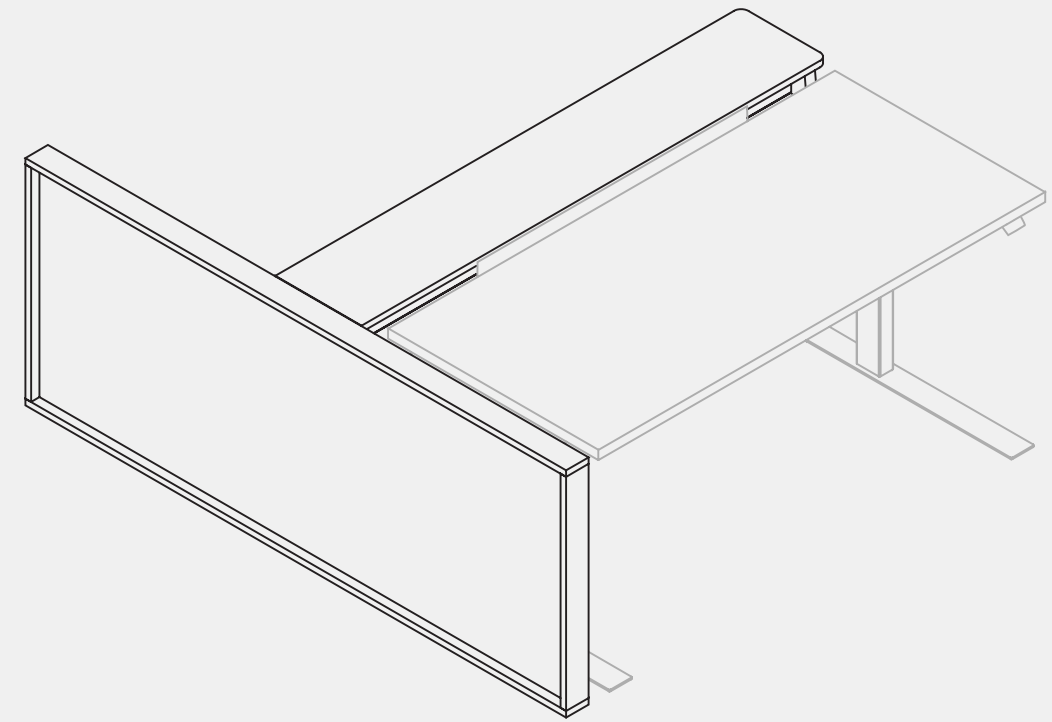
Metal Flat Bar Square Corner



Metal Tube Square

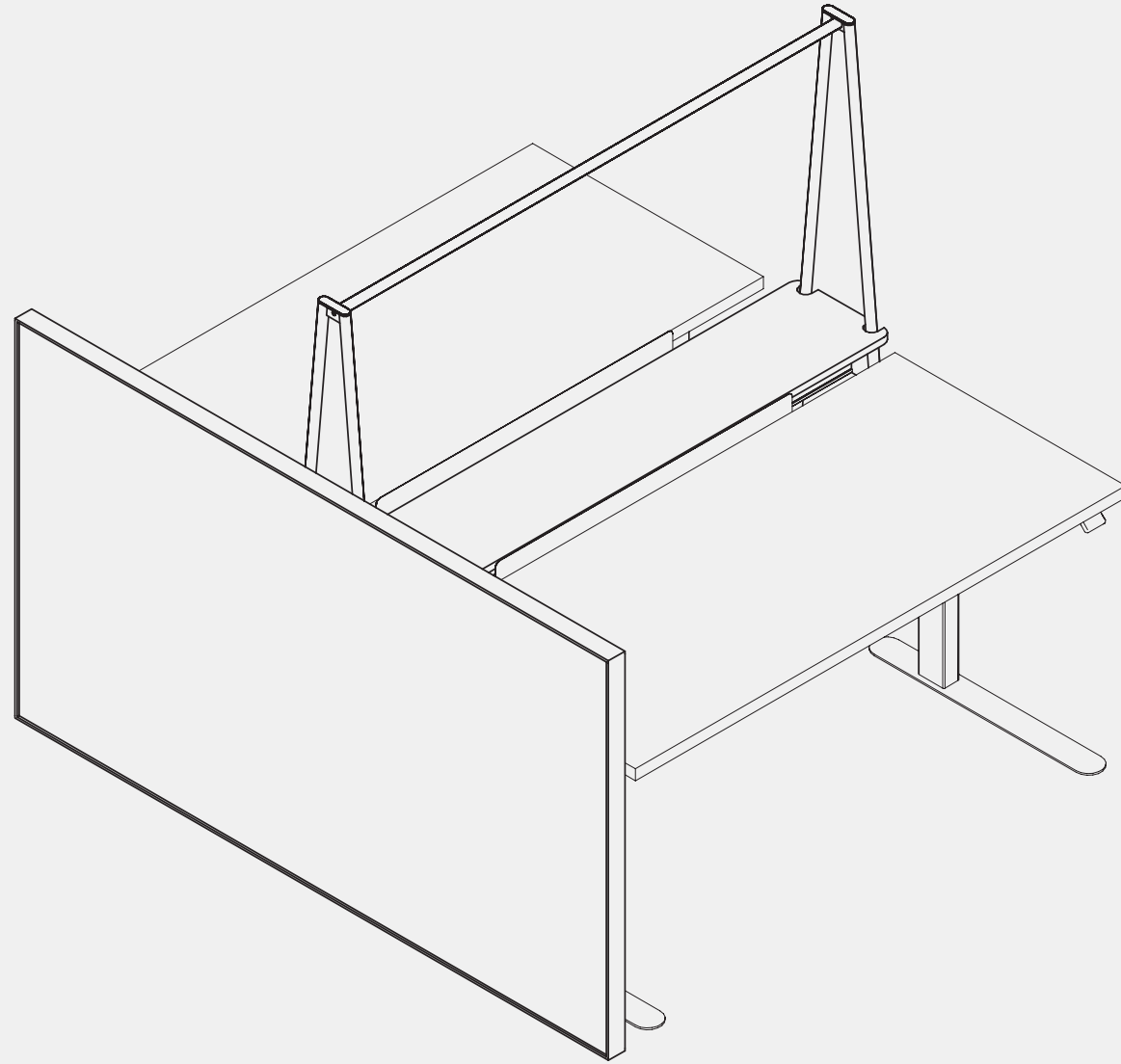


Metal Flat Bar Radius Corner

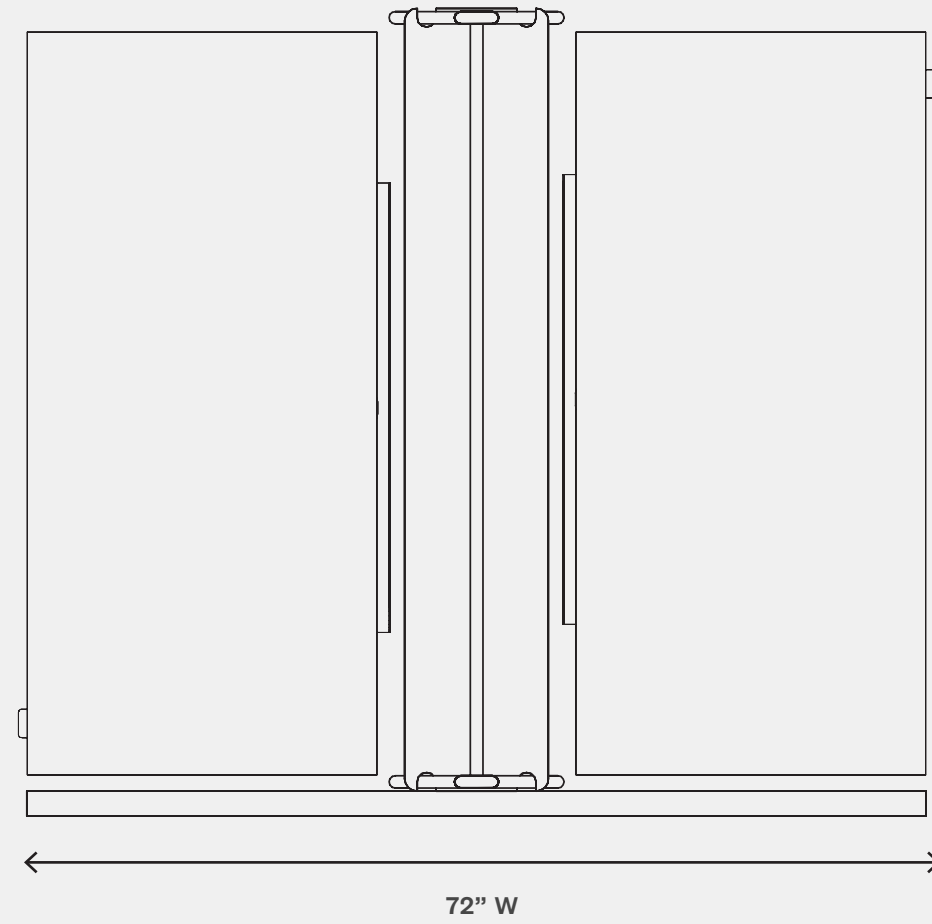


Solid Wood Surround



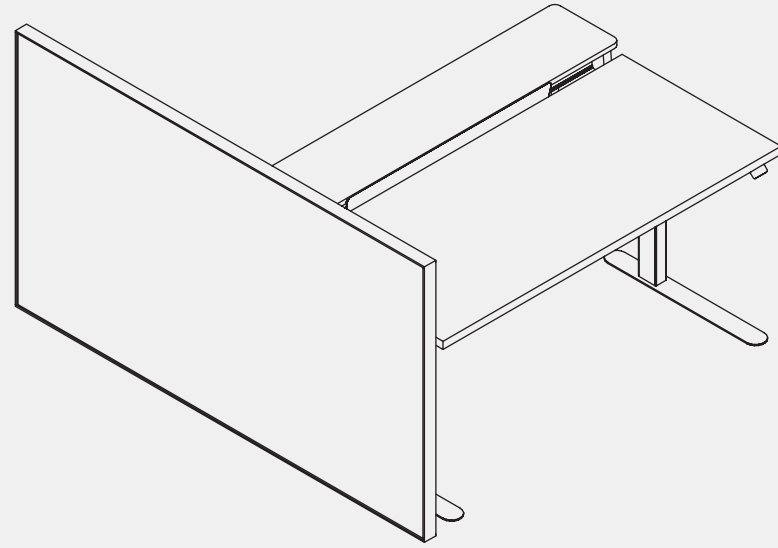


72"W for Swing with shared surface  
Shown with 28"D Belay + Tuck

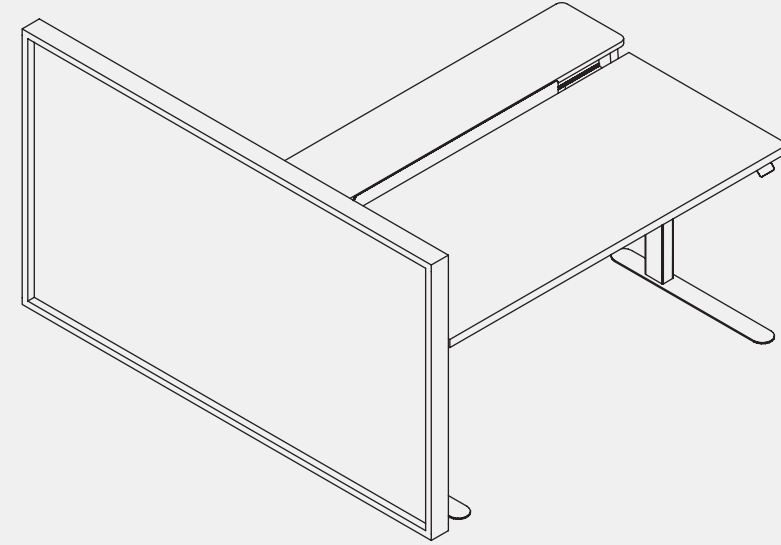


72" W

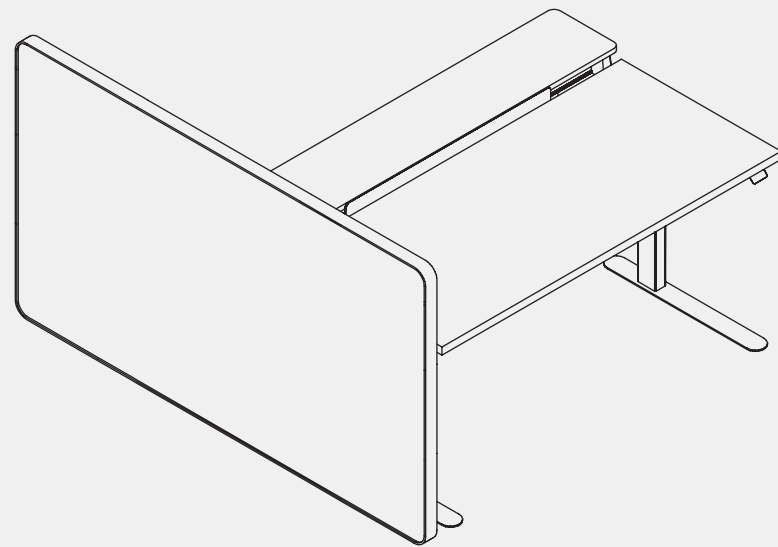
SURROUND STYLES



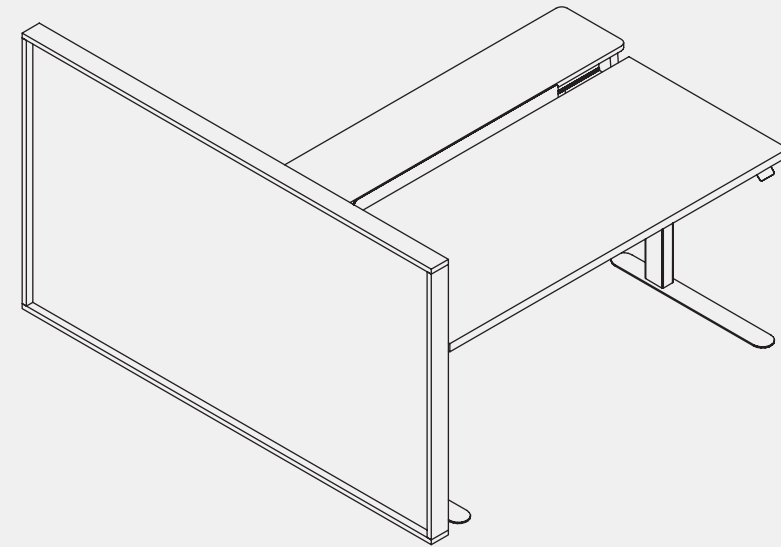
Metal Flat Bar Square Corner



Metal Tube Square

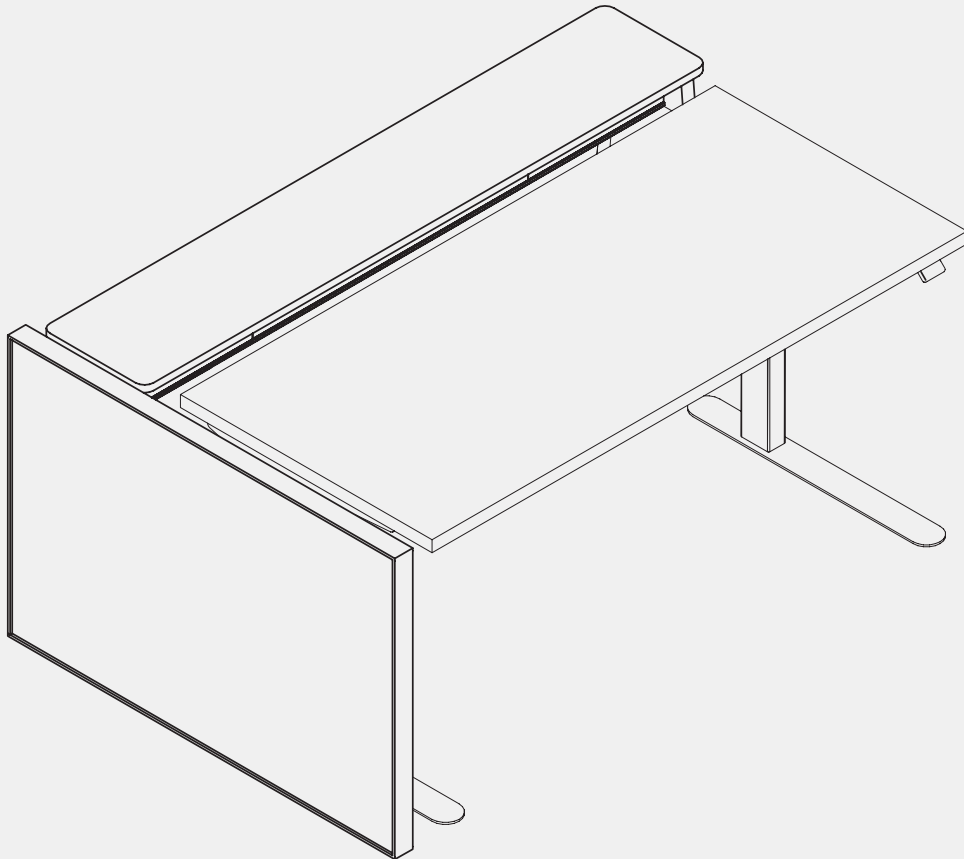


Metal Flat Bar Radius Corner

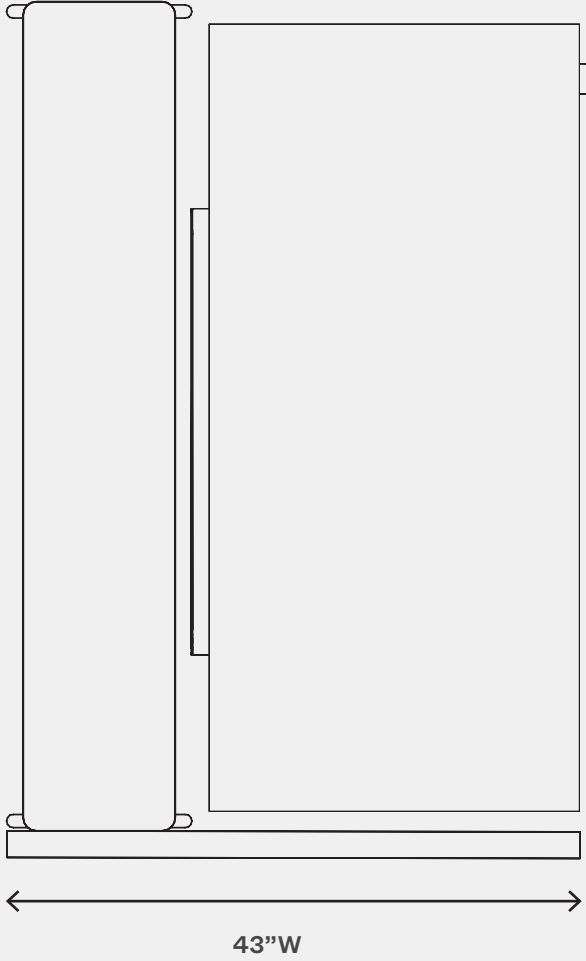


Solid Wood Surround

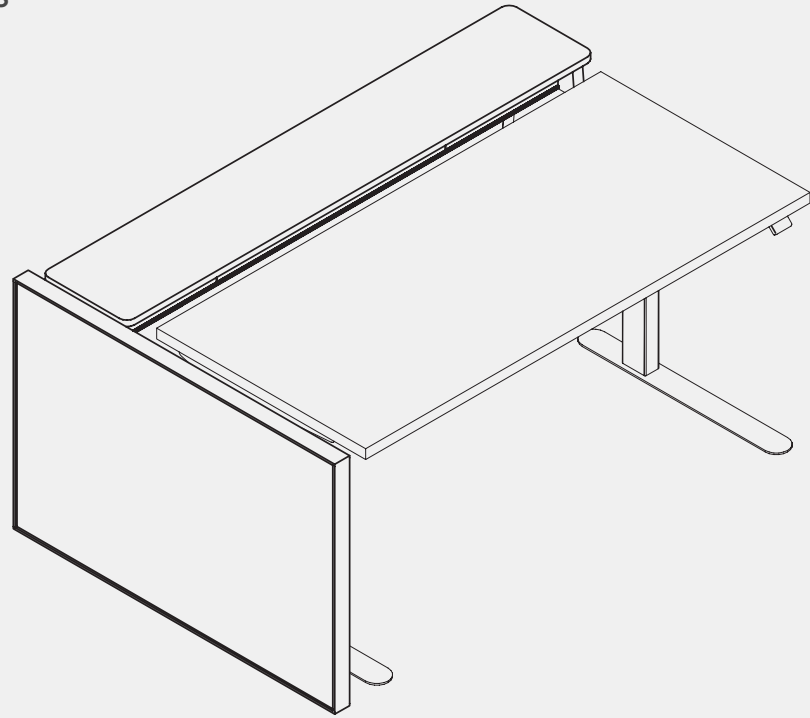
SWING | SINGLE-SIDED END PANELS | 29"H



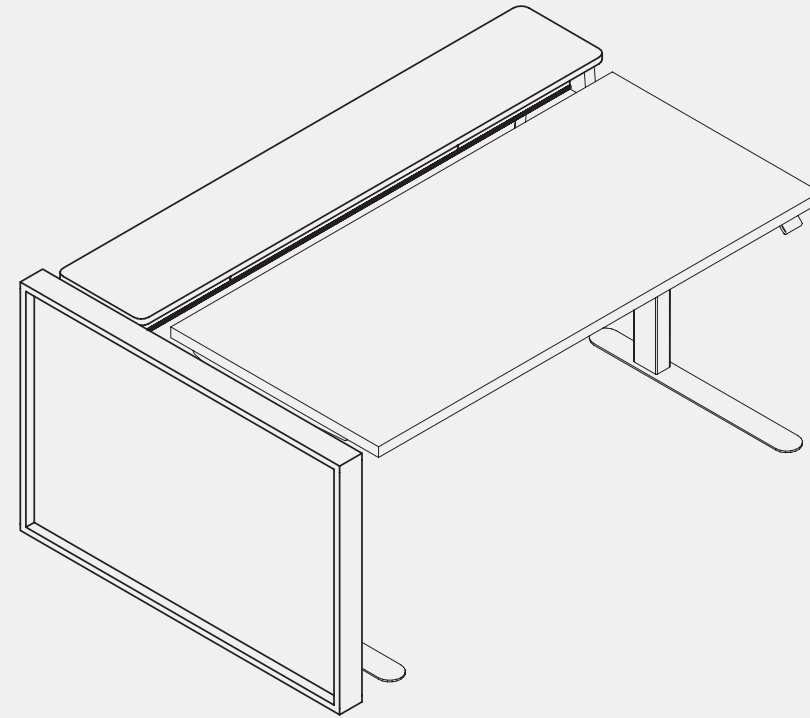
43"W x 29"H for Swing with shared surface  
Shown with 28"D Belay + Tuck



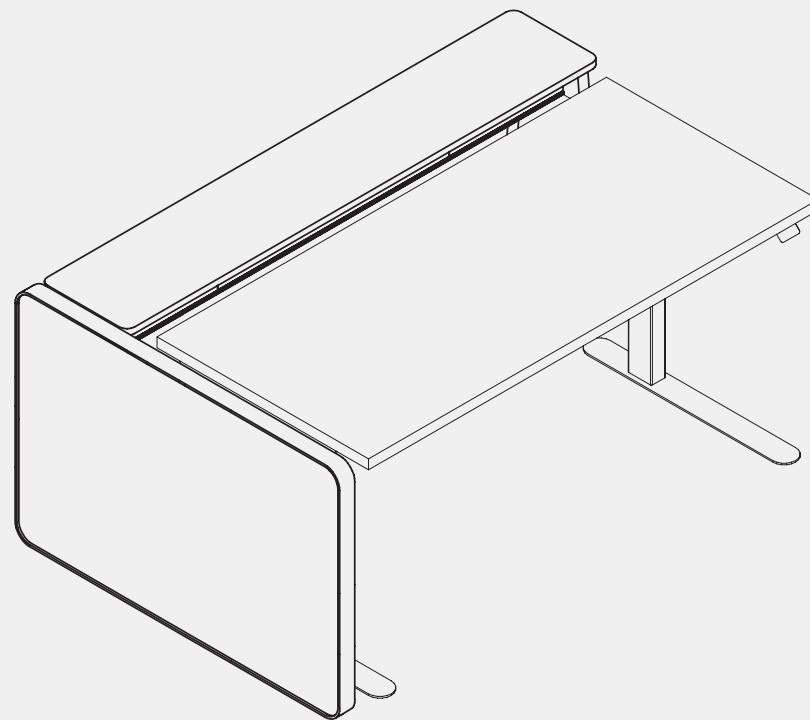
SURROUND STYLES



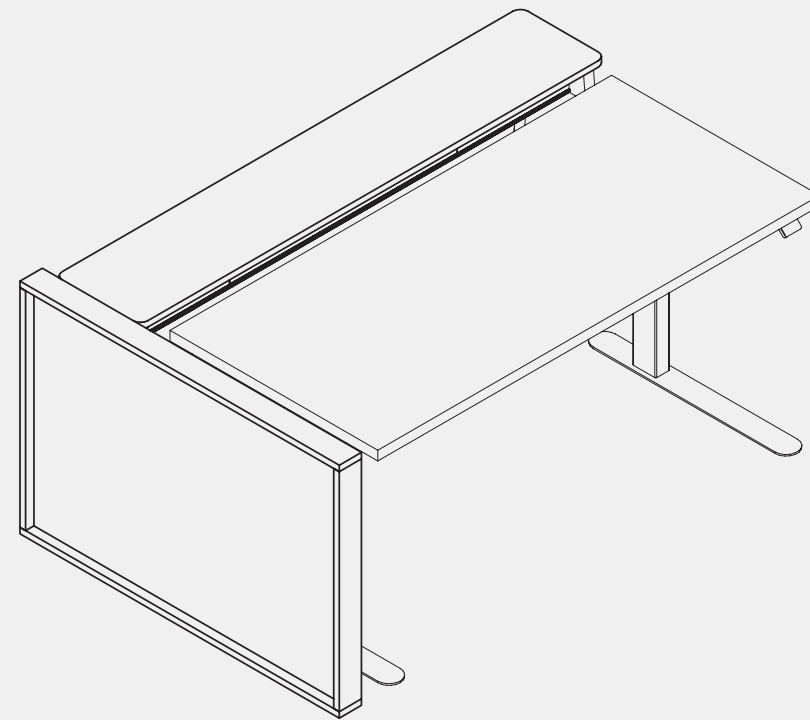
Metal Flat Bar Square Corner



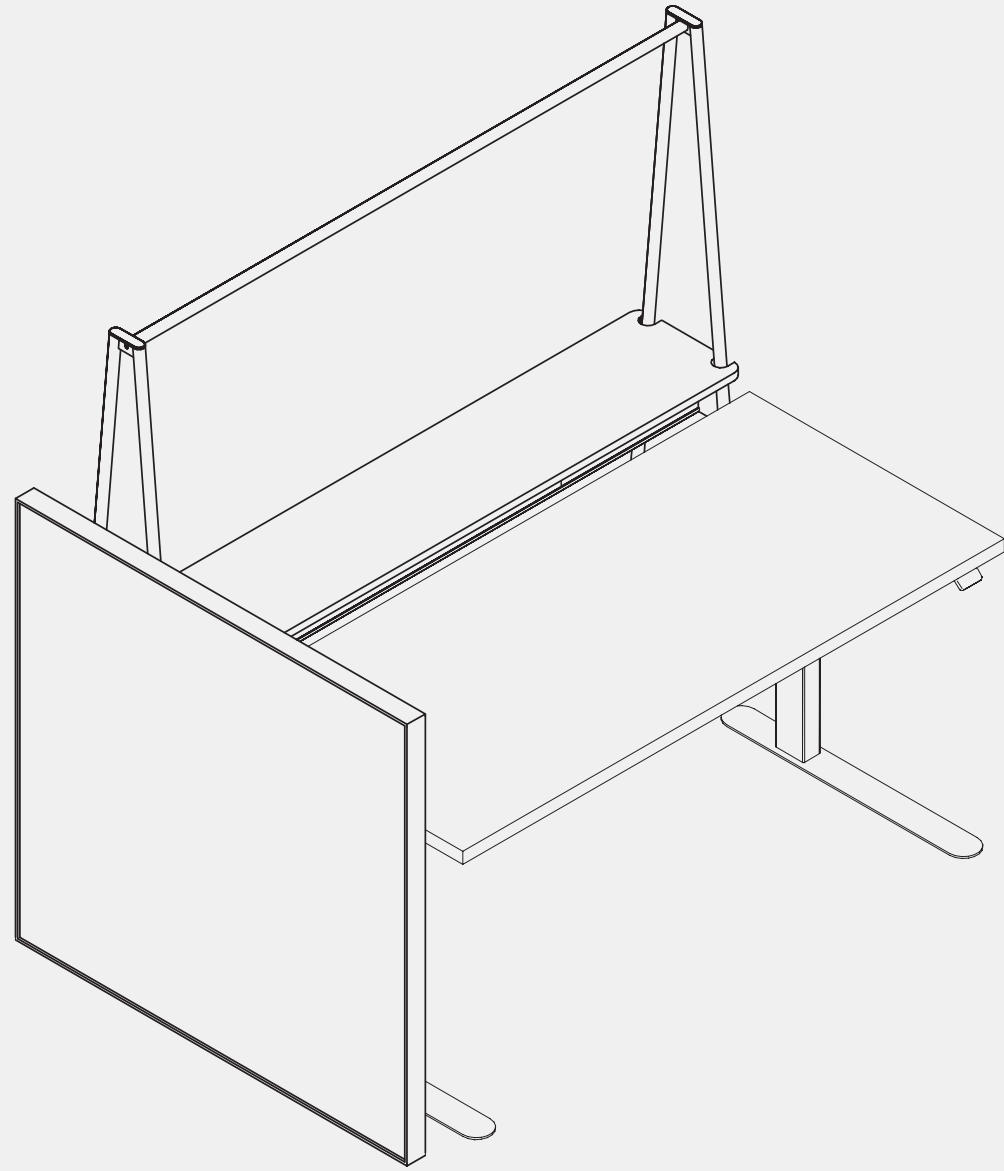
Metal Tube Square



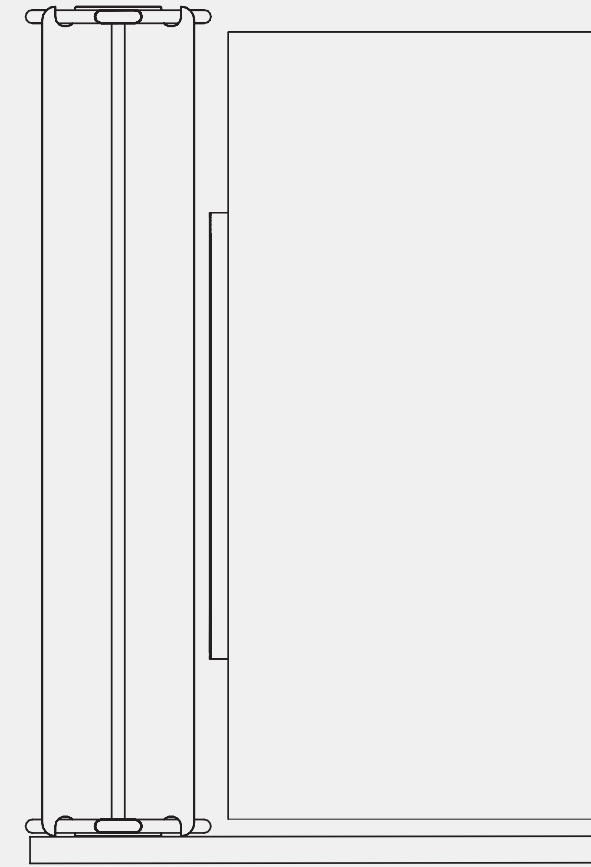
Metal Flat Bar Radius Corner



Solid Wood Surround

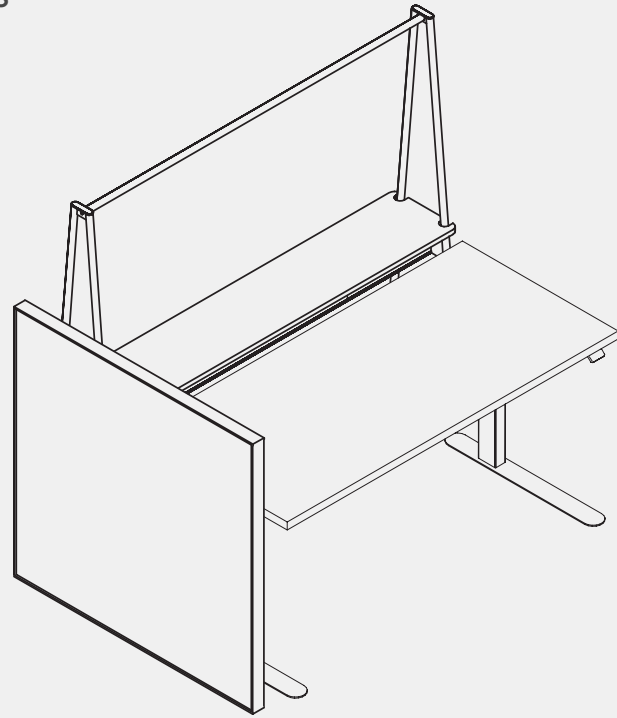


43"W x 42"H for Swing with shared surface  
Shown with 28"D Belay + Tuck

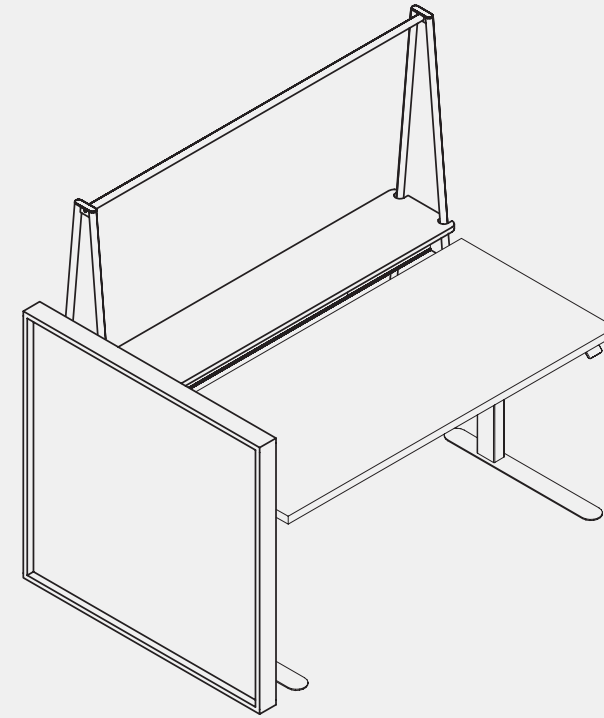


43"W

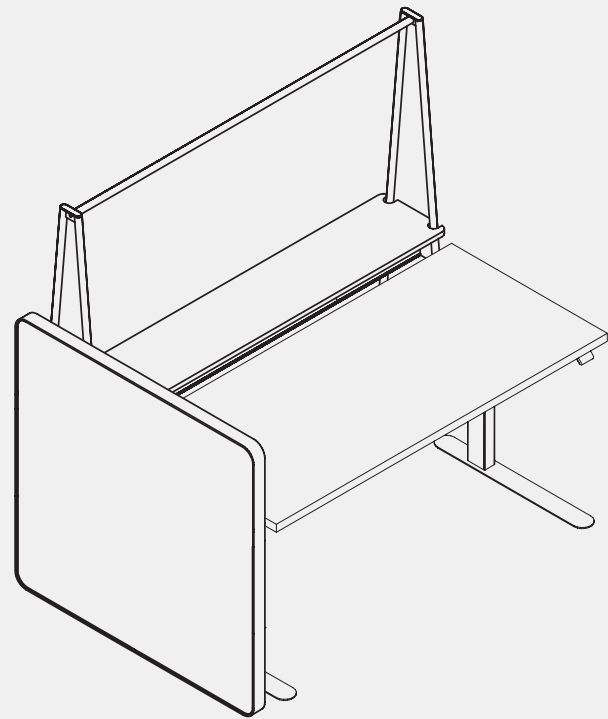
SURROUND STYLES



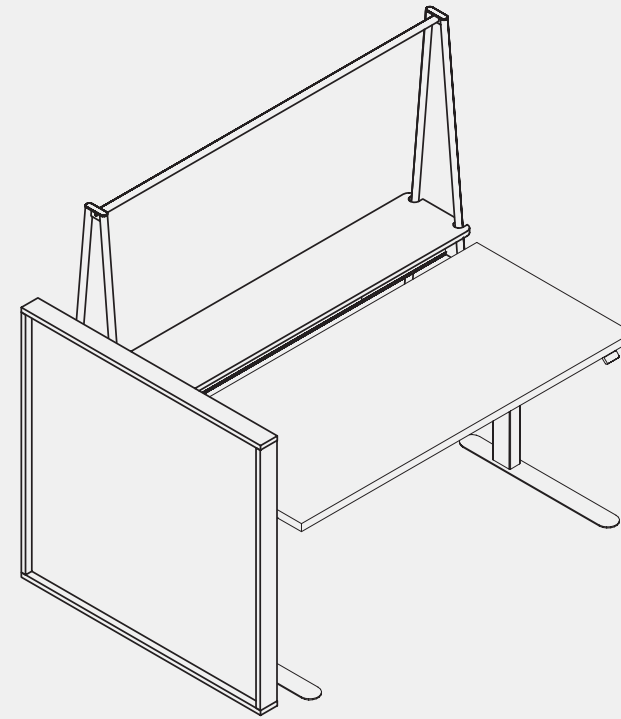
Metal Flat Bar Square Corner



Metal Tube Square

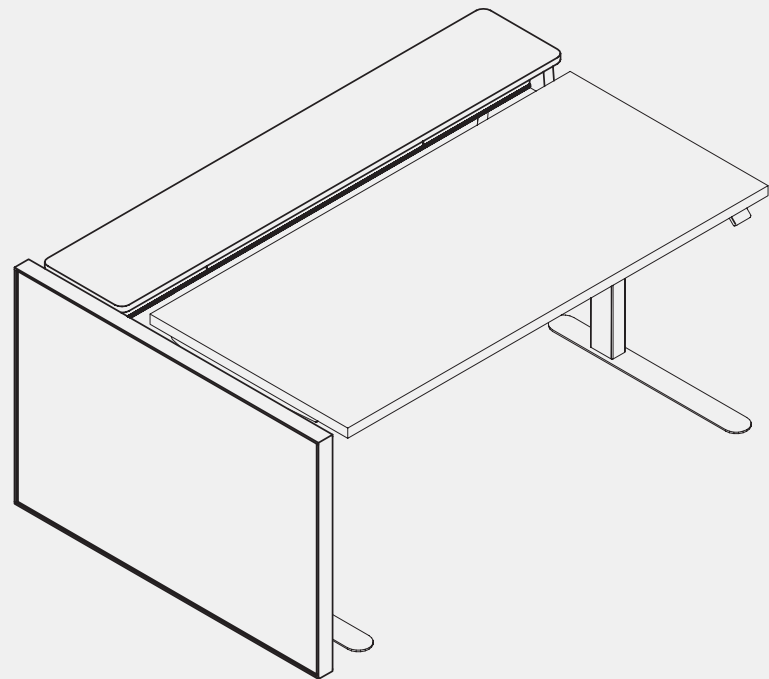
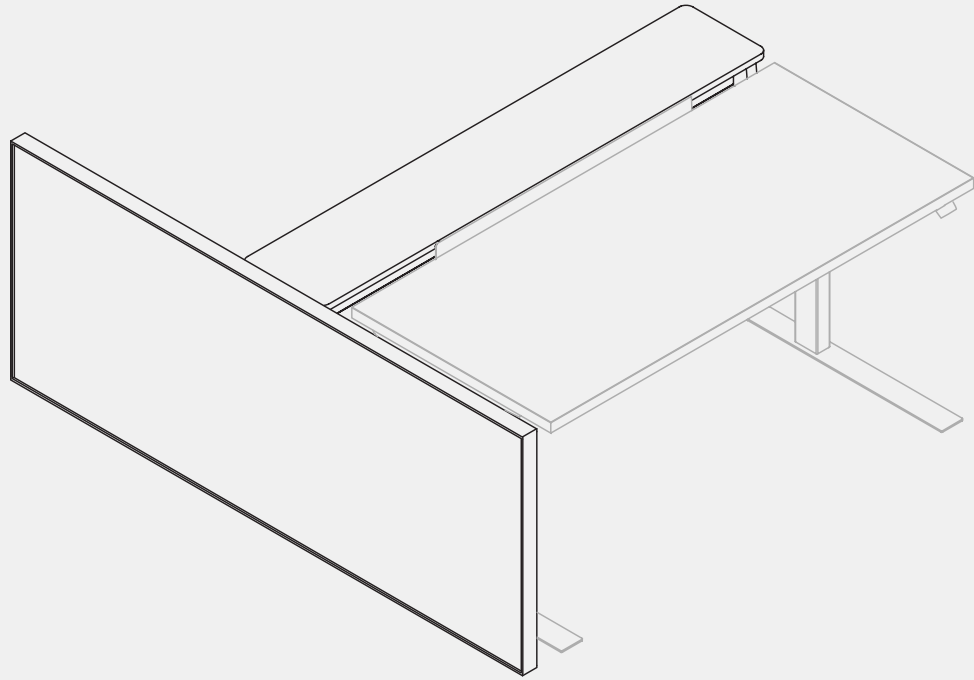


Metal Flat Bar Radius Corner

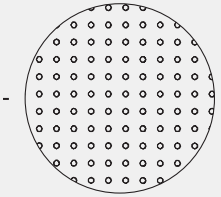
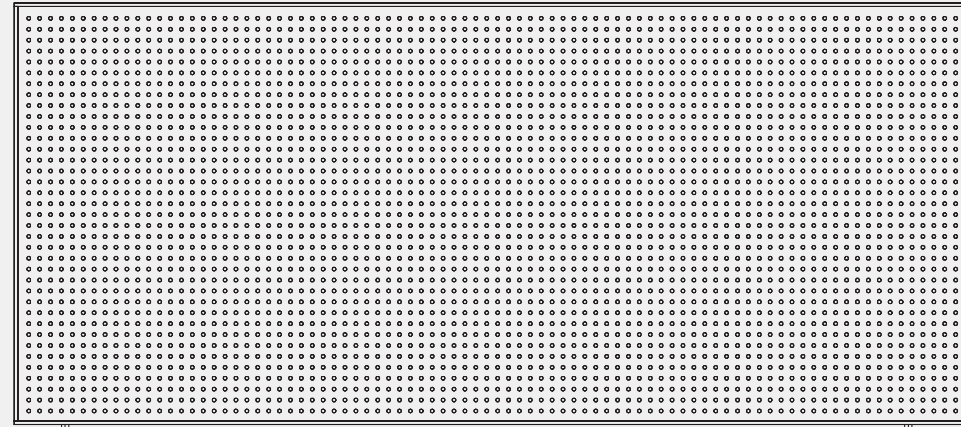


Solid Wood Surround

INFILL STYLES



Flat Bar Square Corner

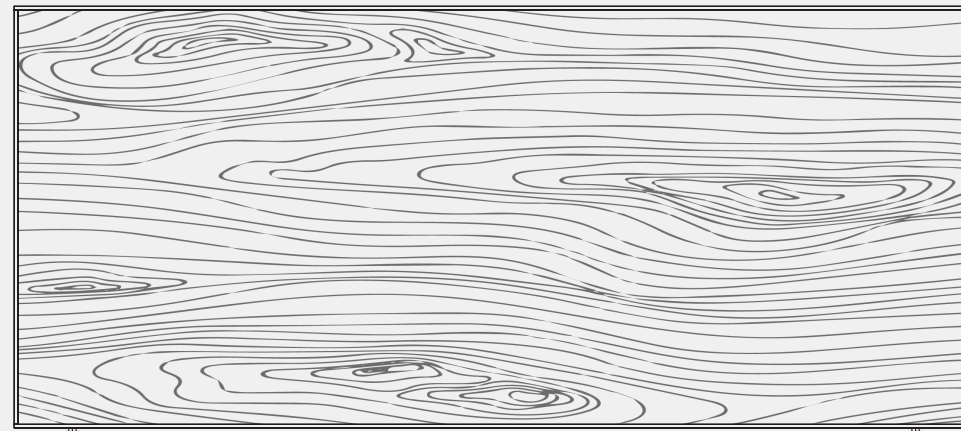


1/4" Dia Hole with 1"x1" spacing on center

Metal - Perforated

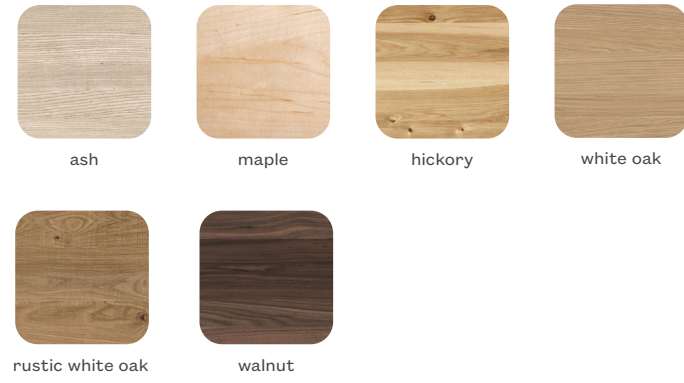


Metal - Solid



Veneer | Laminate | Wrapped Laminate

## VENEER

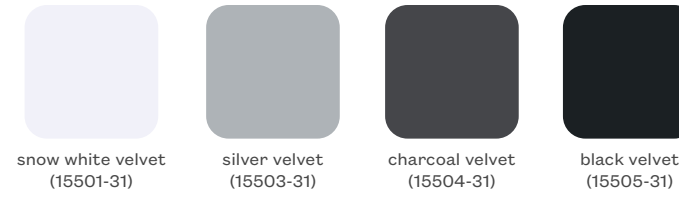


## WRAPPED LAMINATE

*\*woodgrains contain texture*



## SOFT TOUCH LAMINATE



## LAMINATE



## METAL

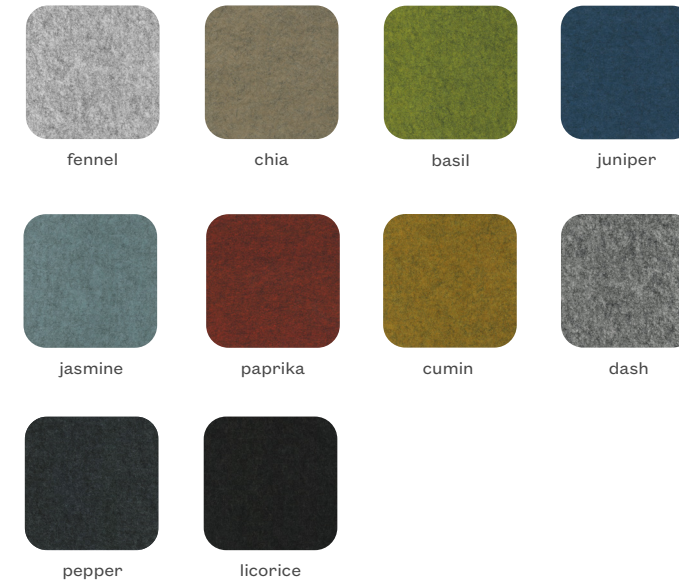


## WOOL

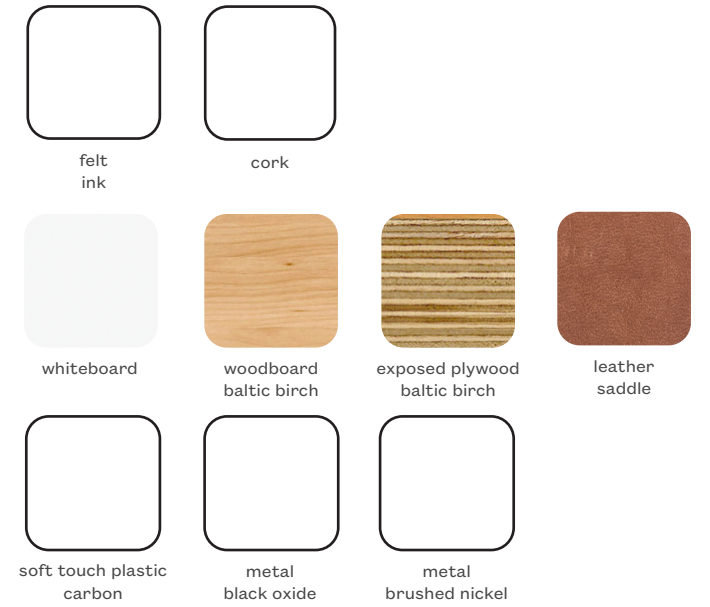
*\*additional colorways available at a premium*



## PET



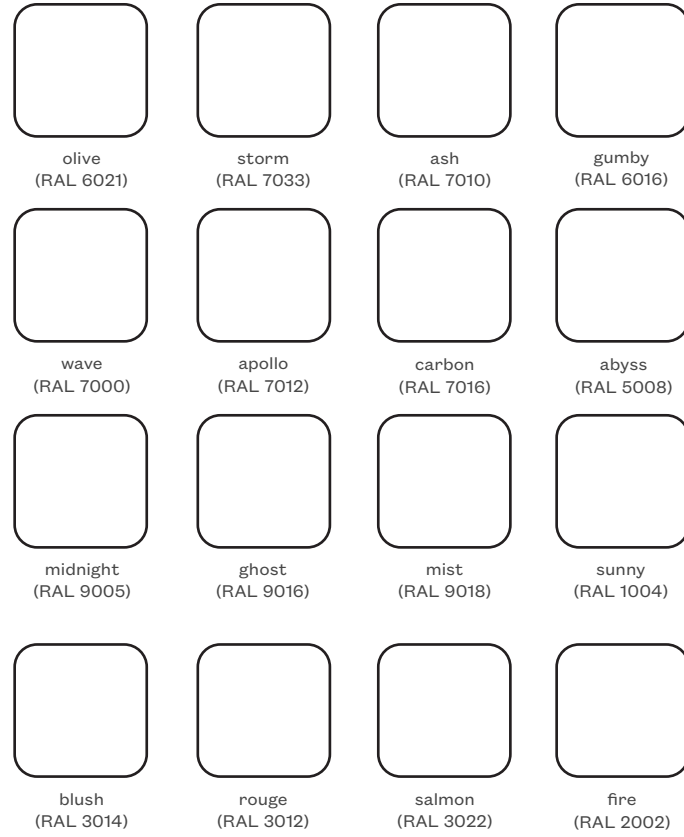
## MISCELLANEOUS



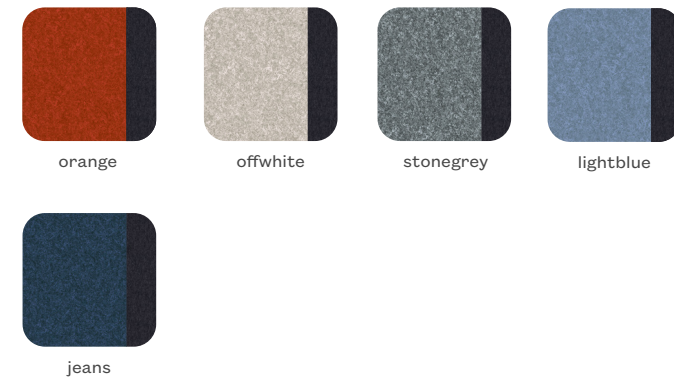


## SOFT TOUCH GLASS

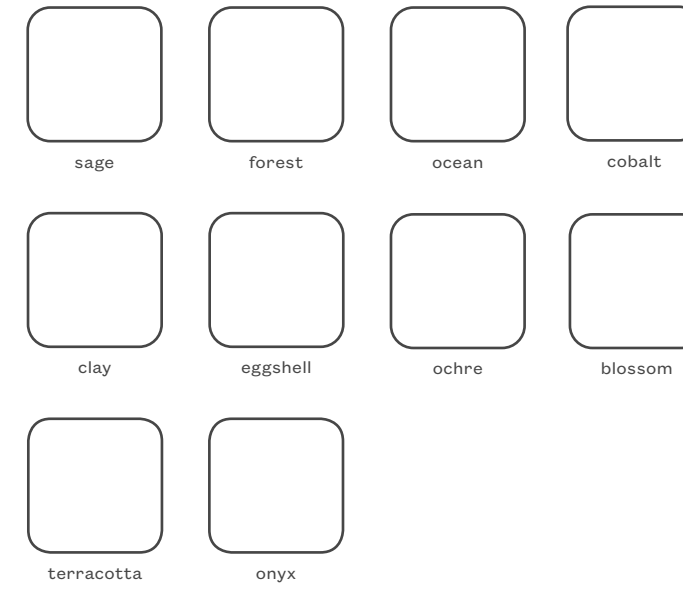
(efi soft etch)



## BUZZIFELT



## BIO PLASTIC



## SWING | SUSTAINABILITY

### SCS IAQ GOLD

SCS Global Services certified for low VOC emissions with the most transparent indoor air quality (IAQ) standard for furniture and building materials. The Indoor Advantage and Indoor Advantage Gold standard aligns with both ANSI/BIFMA M7.1 and X7.1, and CA 01350. It is recognized by the EPA and GSA, and qualifies for many building rating systems, including LEED v4, BREEAM, WELL Building, and Living Building Challenge.

### HPD TESTED

The HPD provides a chemical inventory of a building product and characterizes the level of concern about each ingredient. Most, if not all, of the chemicals in the product are disclosed by Pair, providing greater transparency in selecting products for buildings.

#### Untethered Power System:

This HPD includes the Pair product lines for workstations: SWING, SWING JR., SIMPLE BEAM, and OLLI. These systems are comparable in product attributes because they include a freestanding beam for power and data distribution. The power system can be used to delineate space and support various modes of individual and collaborative work.

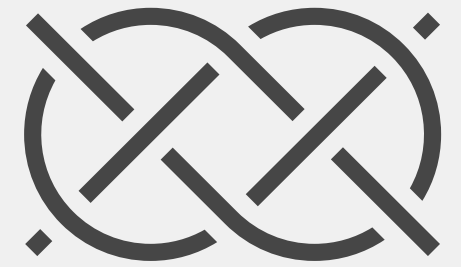
#### Fabric:

This HPD covers fabric accessories to the Pair Product lines. Traverse from focus work to a collaborative environment in minutes by enhancing your workspace with Sidekicks offering screening and seating solutions designed to fit the needs of any workplace. Includes products: OLLI/SWING, POWER SLEEVE, BYOT POWER SLEEVE, FELT CABLE MANAGER, SWING BEAM MOUNTED SCREEN, SWING MODESTY, OLLI CUSHION, OLLI BUTTERFLY SCREEN, MIX DIVIDER SCREEN, HANGING BOARD, and HANGING SCREEN.

#### Metal & Wood:

This HPD covers wood and metal accessories to the Pair Product lines. Traverse from focus work to a collaborative environment in minutes by enhancing your workspace with Sidekicks and Elements designed to fit the needs of any workplace. Products included in this category: PLANTER HOOK, OLLI COAT RACK, OLLI FRAME, OLLI MEETING TABLE, STACKABLE CADDY, STACKABLE PLANTER, STACKABLE STORAGE, OLLI PLUG, BAG HOOK, TUCK, MIX INFILLS, SWING END PANEL, FADE CABLE CHASE, and NEST.





**madebypair.com**

Email [hello@madebypair.com](mailto:hello@madebypair.com) for more information.