

Mix.

One system, many personalities.

Create your own look and style with Mix benching.
Customize finishes or build a solution from the ground up —
your creativity is the only limit.



REVISED MARCH 2024



MIX

CLUSTER SIZE

2PK | 4PK | 6PK | 8PK | 10PK

DIMENSIONS

Module: 48 | 54 | 60 | 66 | 72
Overall Depth: 60"D
Surface Thickness: 1.25"
Surface Depth: 28"D
Overall Height: 45"H (15"H Trough Mounted Screen)
Height Adjustment: Fixed | 2-Stage (27"-46.7") | 3-Stage (23.5"-49")
Base Height Adjustment: Fixed | 2-Stage: 27"-46.7"H | 3-Stage: 23.5"-49"H (Excluding Surface)

STYLES

Screen Corner: Square | Radius
Surface Corner: Square | Radius
Base: Danish | Foundry | New Modern + Wood | New Modern
Base Infill: Partial | Full

DESIGN DETAILS

Glide 2" Leveler

FINISHES *(Refer to Pair Palette)*

Surface: Veneer | Laminate
Edge Band: Matching | Exposed Baltic Birch Plywood
Standard Lifting Columns: Midnight Matte
Signature Lifting Columns*: Ghost Gloss
**Available with minimum order quantity (MOQ) of 200 users*
Abyss Gloss
Carbon Gloss
Storm Gloss
Trough Cover: Wool | Metal Solid | Metal Perforated
Screen: Wool
Screen Stitching: Charcoal Grey
Infill: Metal Solid | Metal Perforated | Veneer | Laminate
Wood Cladding**: Veneer
***only applicable for New Modern + Wood*
Duplex: Black | White



MIX

POWER

Height Adjustment Control:

Duplex:

Circuit Distribution:

Up-Down (default) | Memory

(2) per user

2PK 2-Circuits | (2) Line 1, (2) Line 2

4PK 2-Circuits | (4) Line 1, (4) Line 2

6PK 3-Circuits | (4) Line 1, (4) Line 2, (4) Line 3

8PK 4-Circuits | (4) Line 1, (4) Line 2, (4) Line 3, (4) Line 4

10PK 4-Circuits | (5) Line 1, (5) Line 2, (5) Line 3, (5) Line 4

Circuit Keying:

Controlled Circuit Duplex:

3+1 (default) | 2+2

Stamped | Colored

**Controlled duplex not included unless requested*

Data:

Data Knockout Dimension:

Infeed (UL Listed):

(1) Knockout per user

2.75"W x 1.375"H can accommodate 4 data port plate

72"L, Metallic Liquid Tight, Hardwired, Straight Coupler

**For additional power information and non-standard options see the Pair Power Understanding Guide*

PERFECT PAIR-ING

(Refer to Product Brochures)

Crouton

Bag Hook

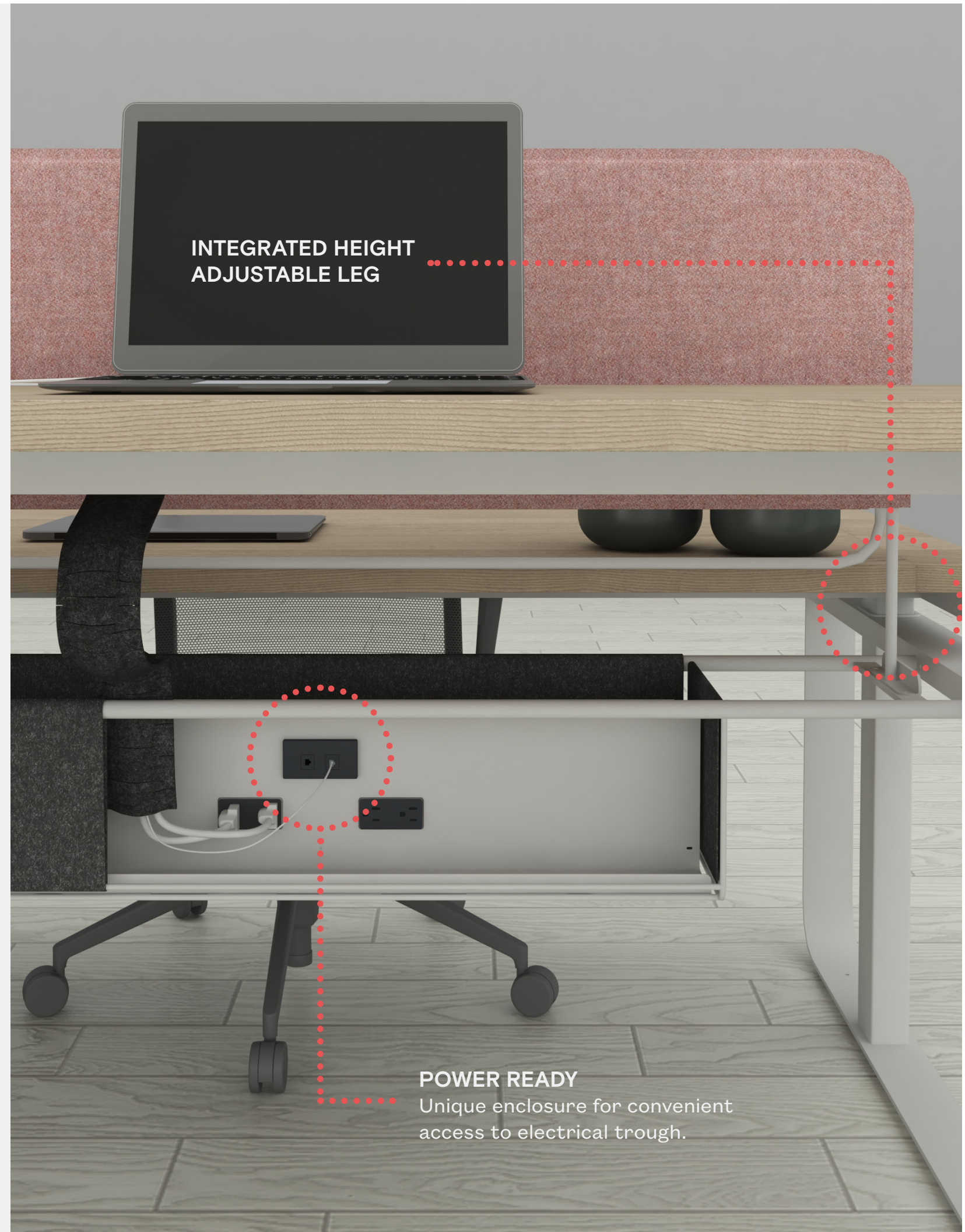
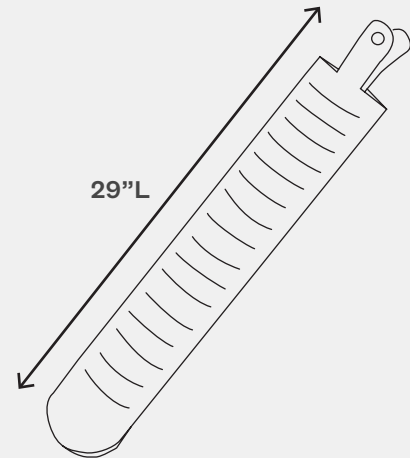
Felt Cable Manager

Divide

Store

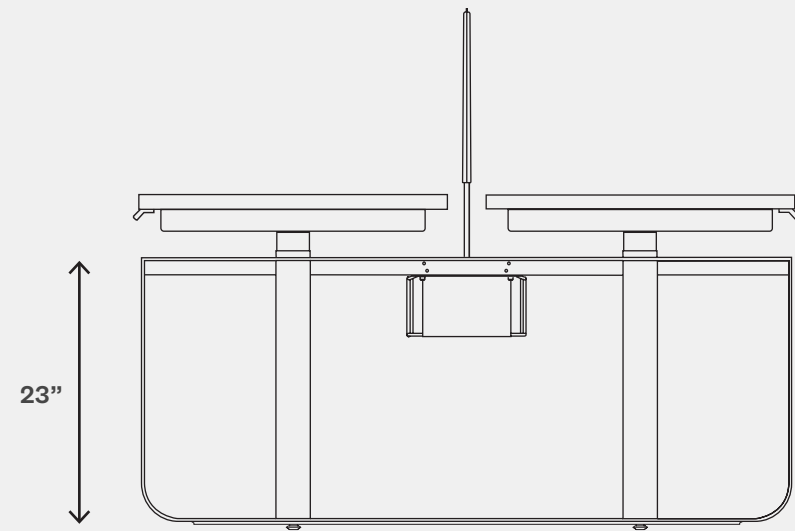
Work

FELT CABLE MANAGER

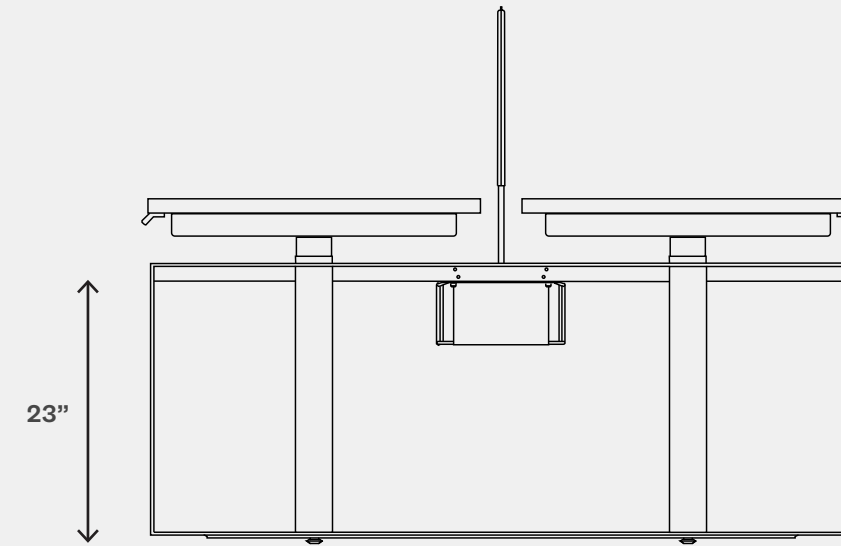


MIX | BASE STYLES

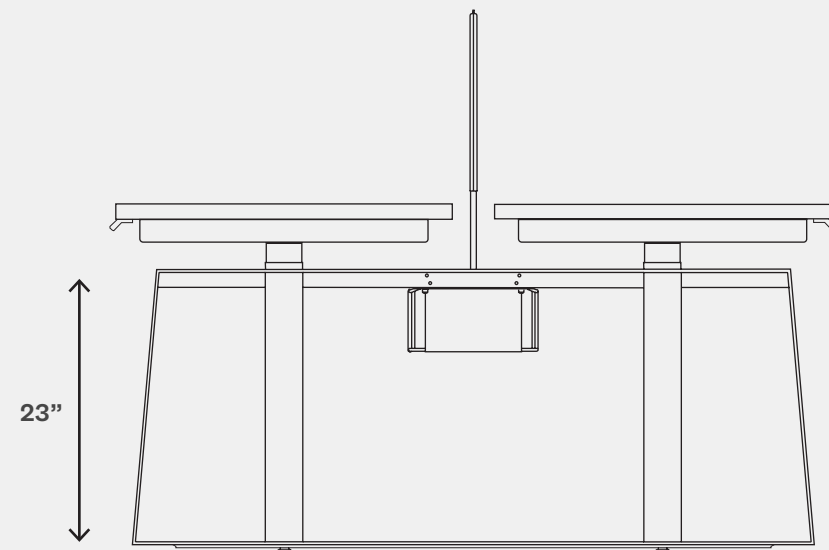
2-STAGE | FIXED



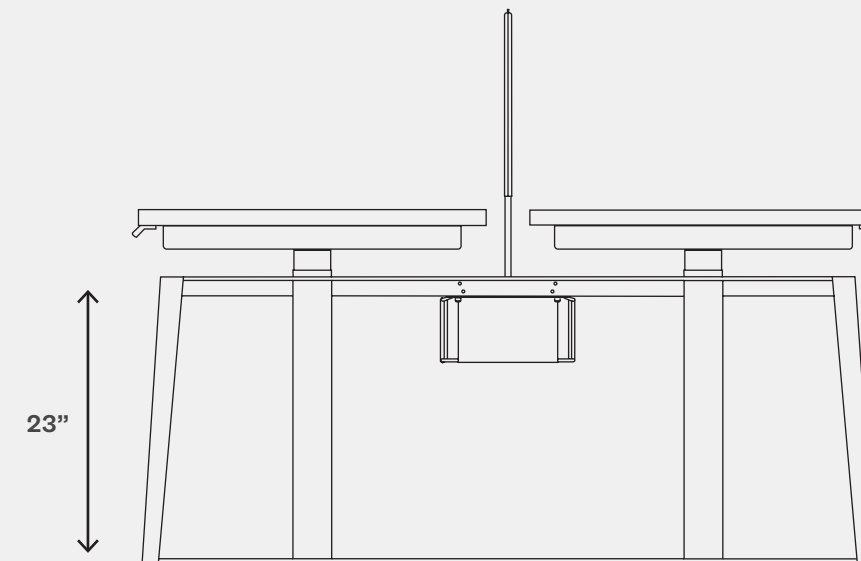
Danish



Foundry

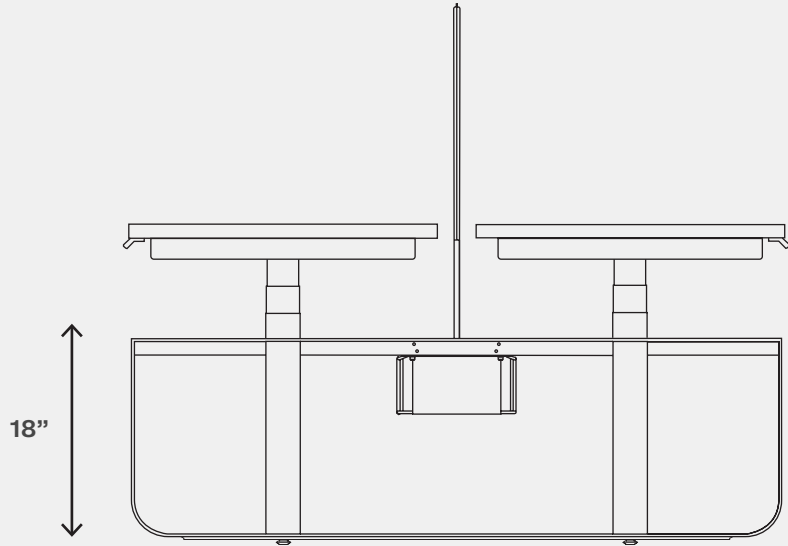


New Modern

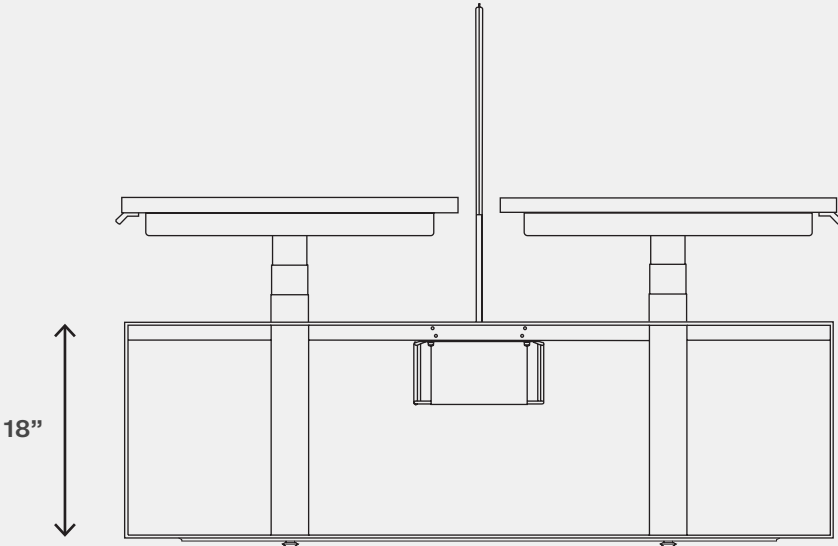


New Modern + Wood

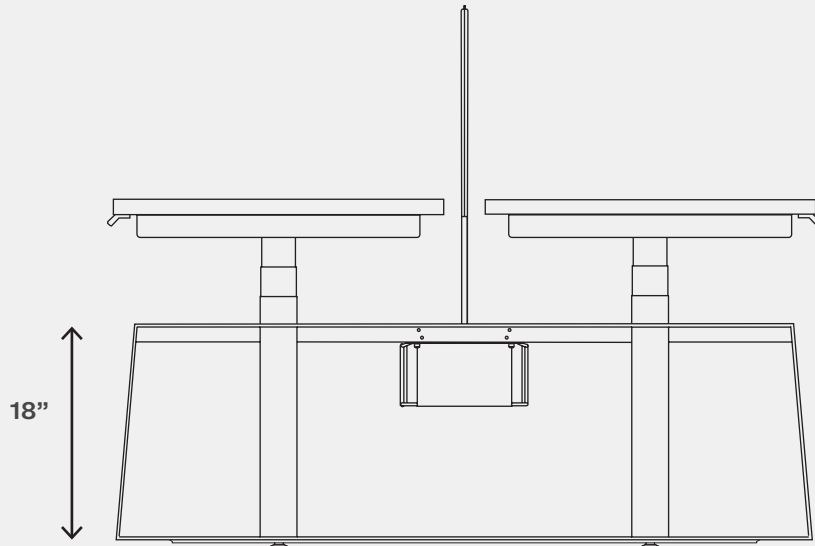
3-STAGE



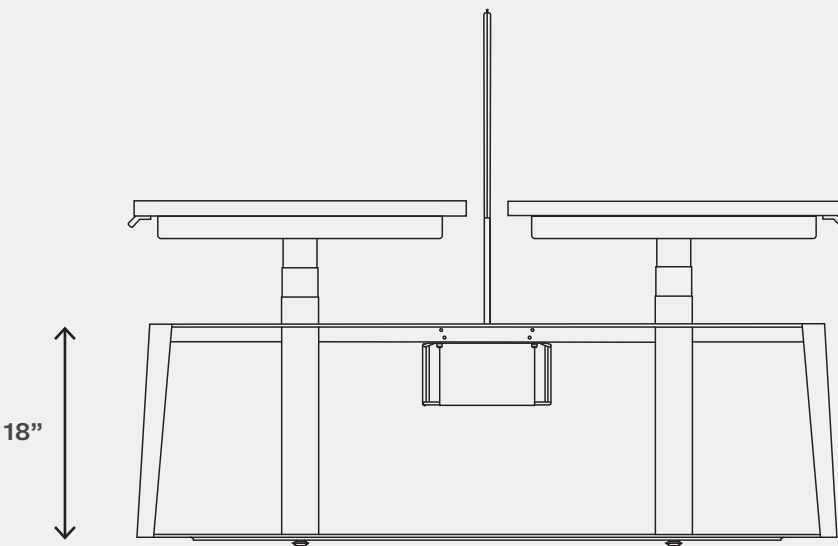
Danish



Foundry

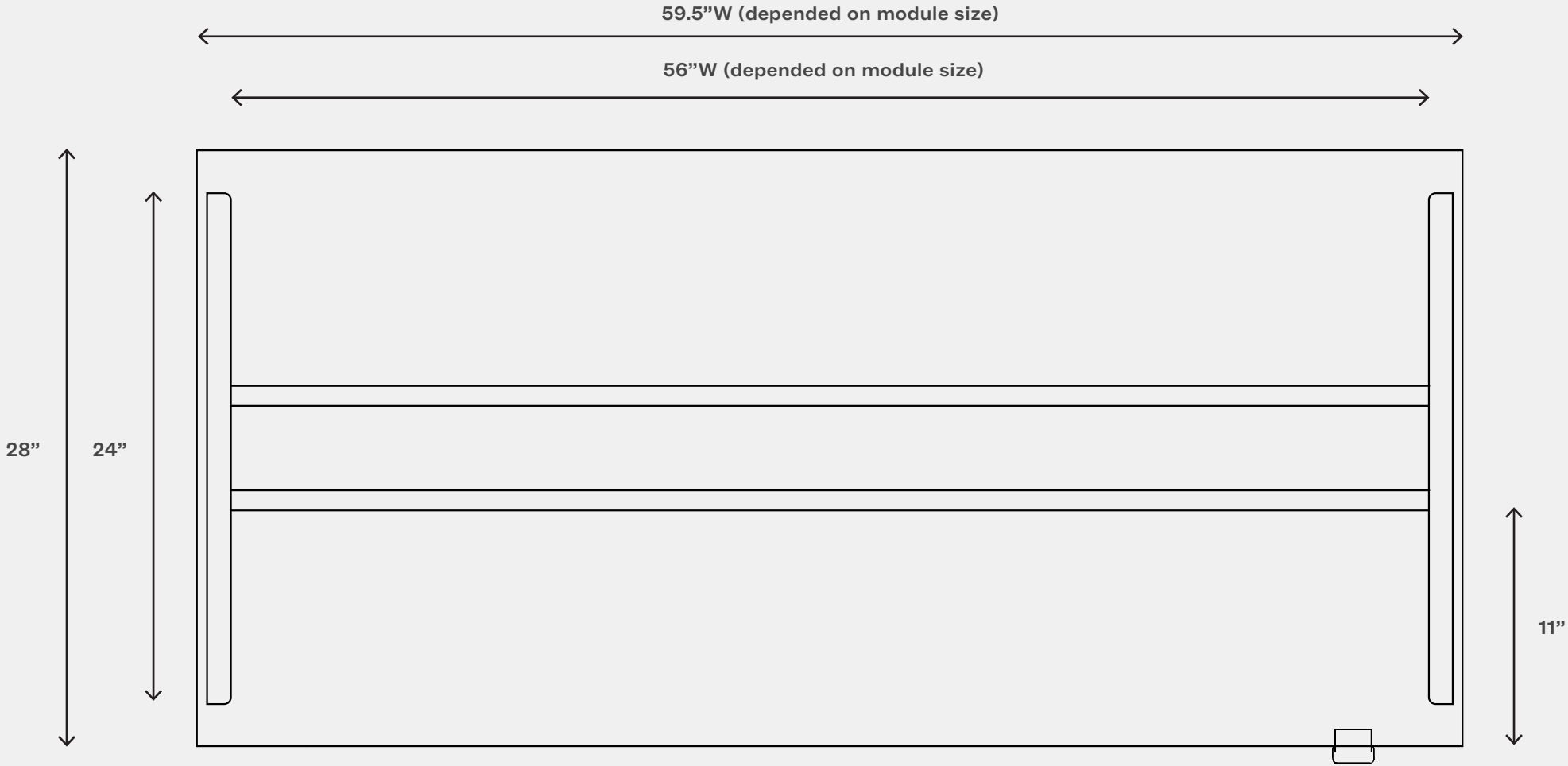
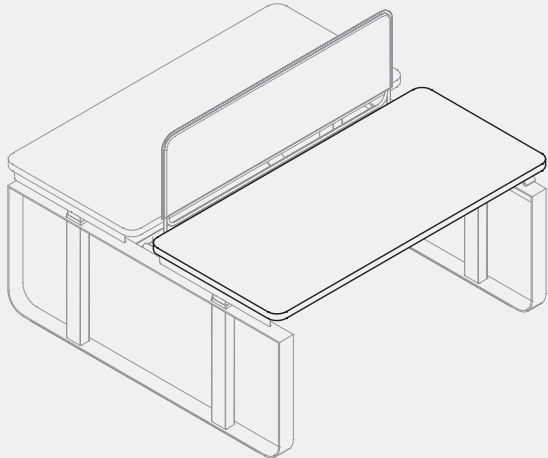


New Modern



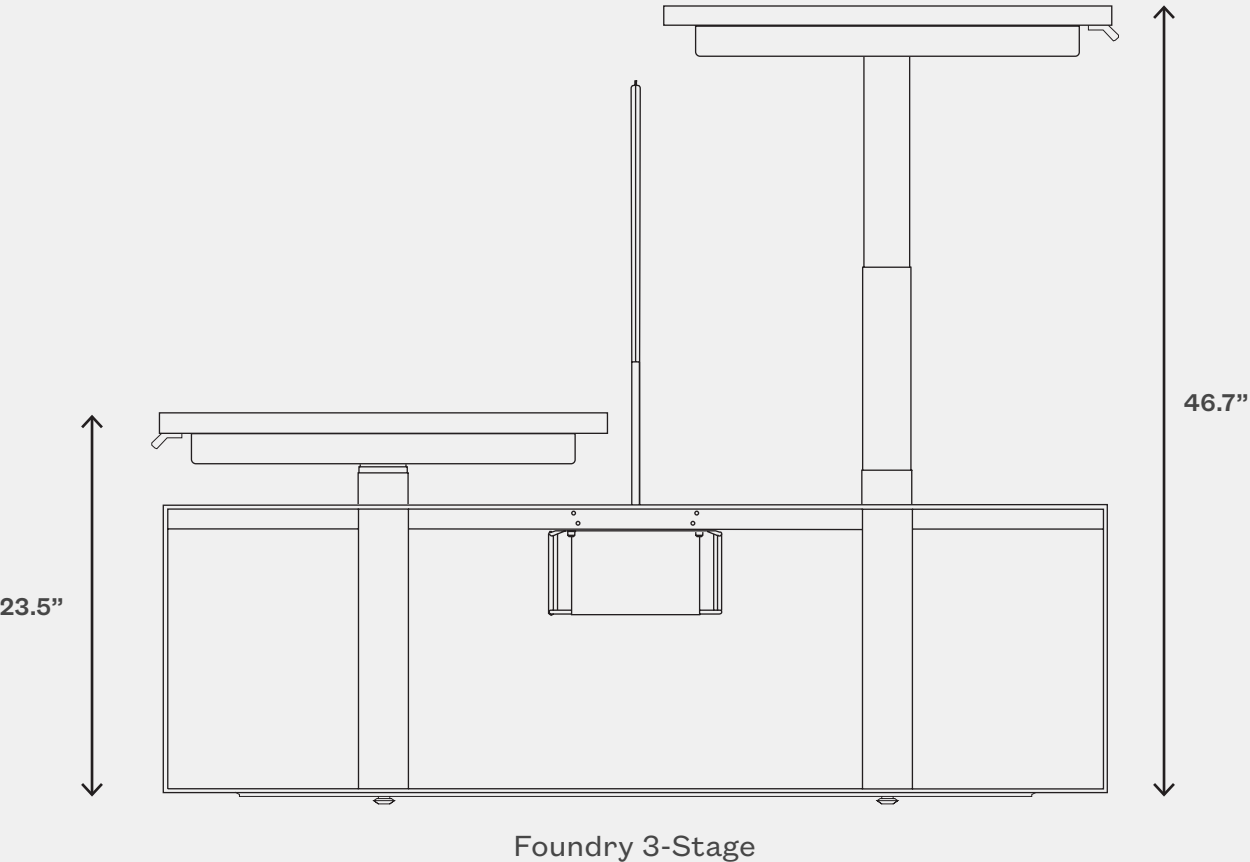
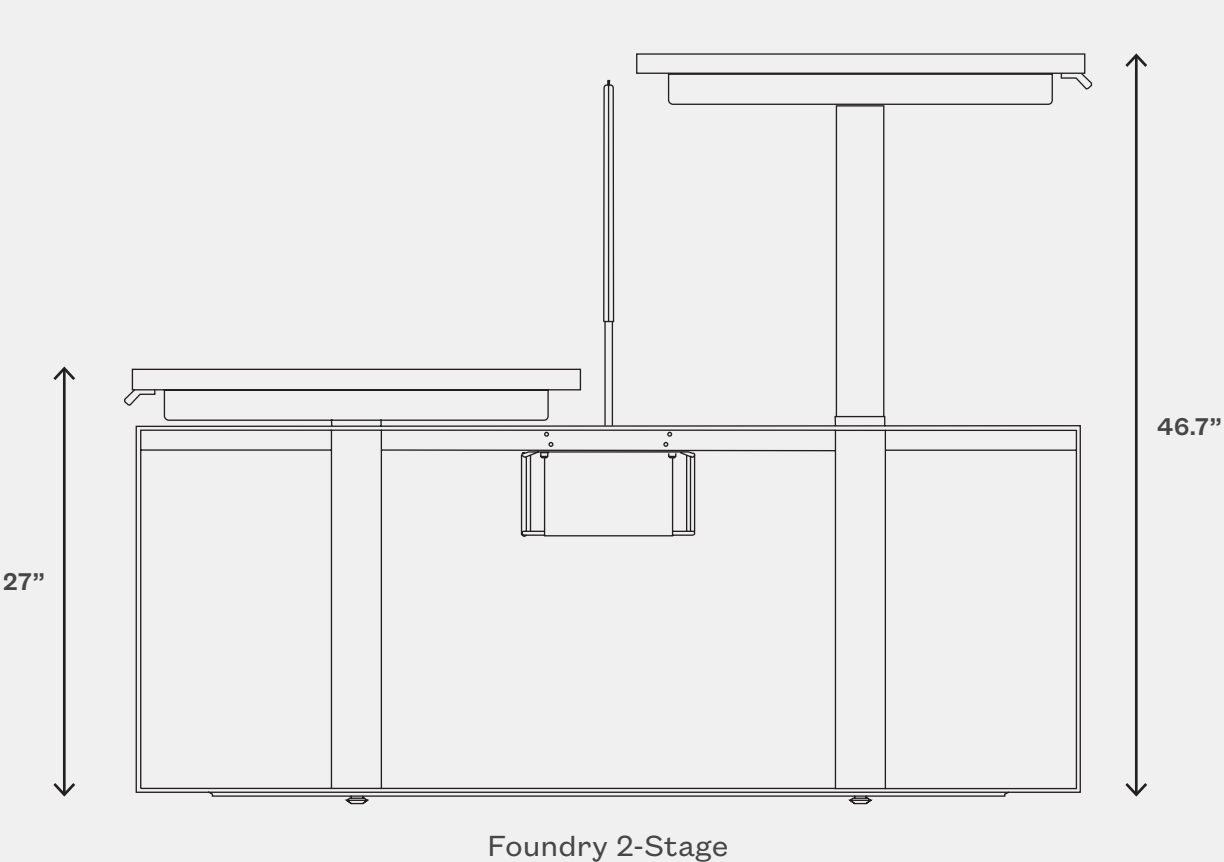
New Modern + Wood

MIX | UNDERSURFACE CLEARANCE



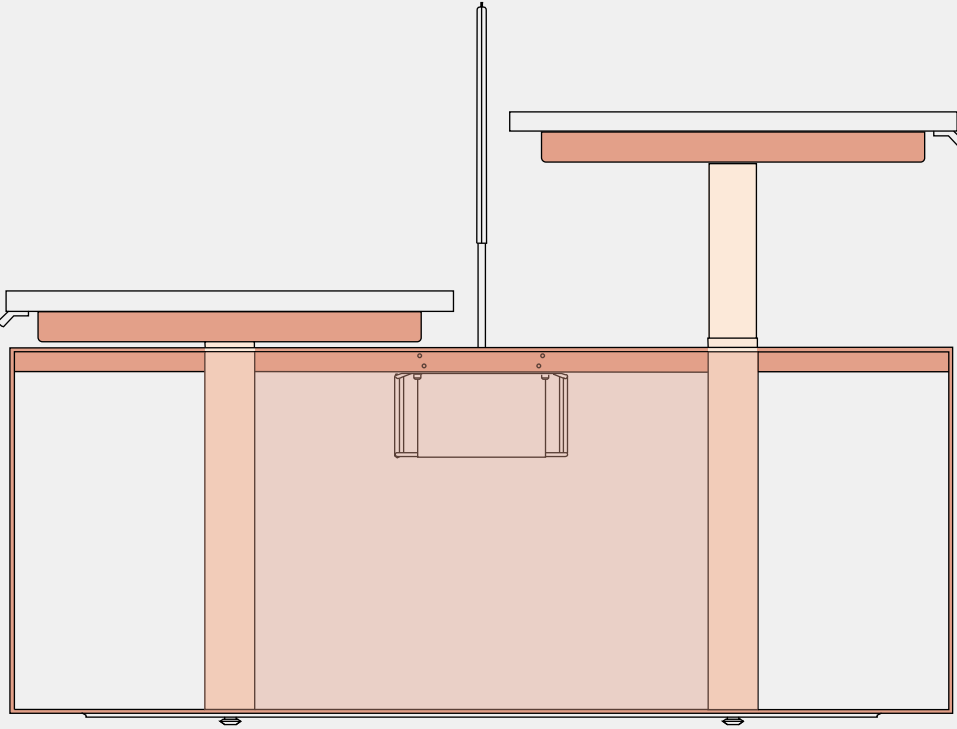
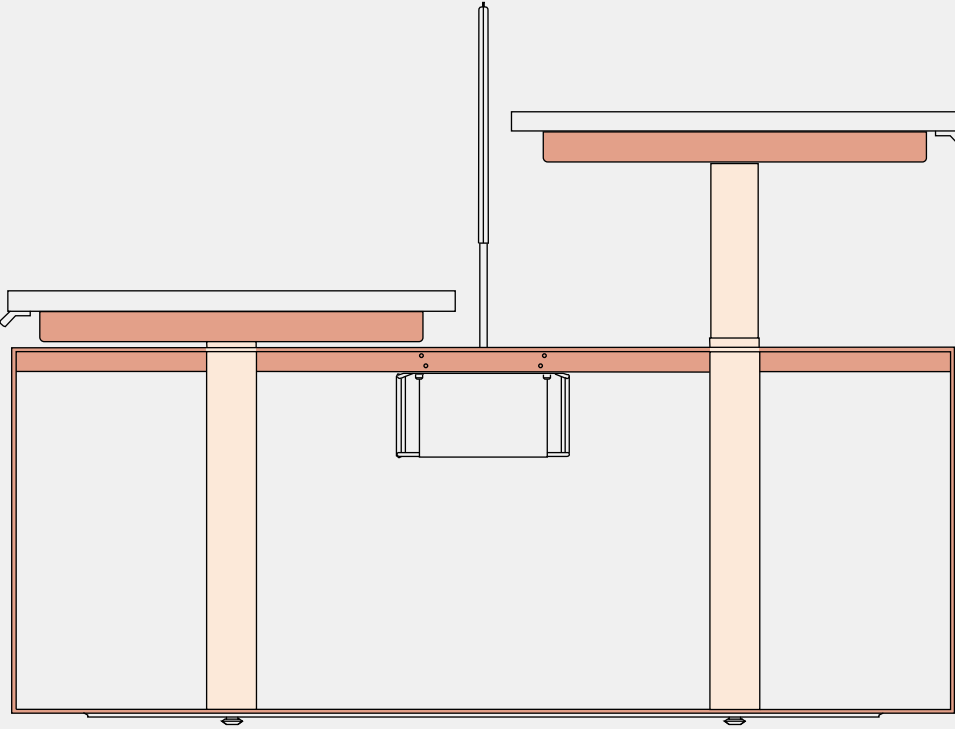
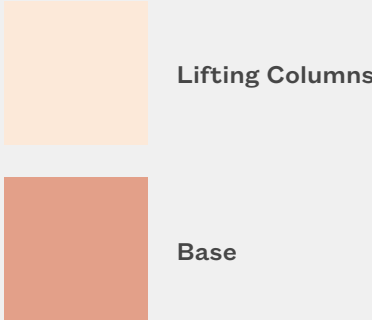
**shown on a 60W module Mix. Leg placement cannot be adjusted by installation team*

HEIGHT ADJUSTMENT COMPARISON



**dimension excludes thickness of top*

MIX | FINISH APPLICATION LIFTING COLUMNS



Infill blocks lower portion of lifting columns from view

MIX | LIFTING COLUMNS

*Available with minimum order quantity (MOQ) of 200 users



Standard Midnight Matte lifting columns with Midnight Matte Base



Signature Ghost gloss lifting columns and base*



Standard Midnight Matte lifting columns with Ghost Matte Base



Signature Storm gloss lifting columns and base*



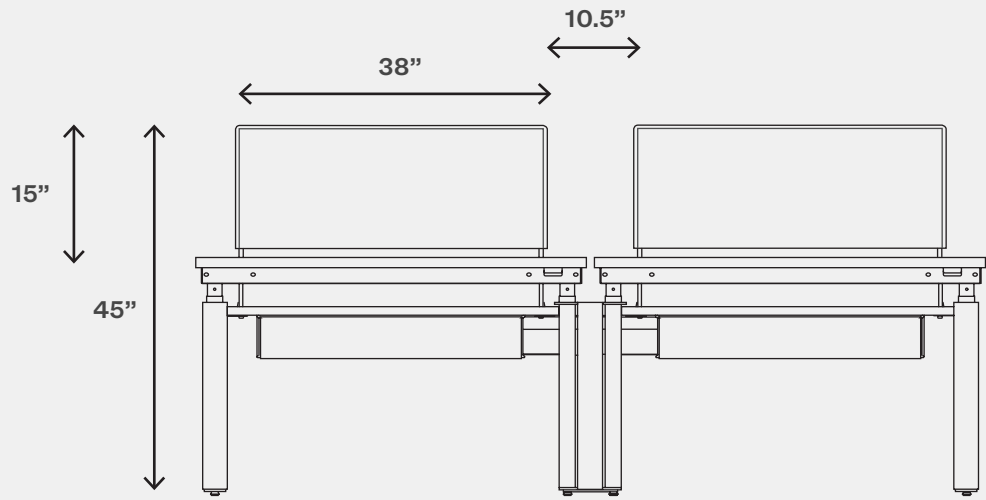
Standard Midnight Matte lifting columns with Ghost Matte Base
Use of Partial Infill to cover the lifting columns



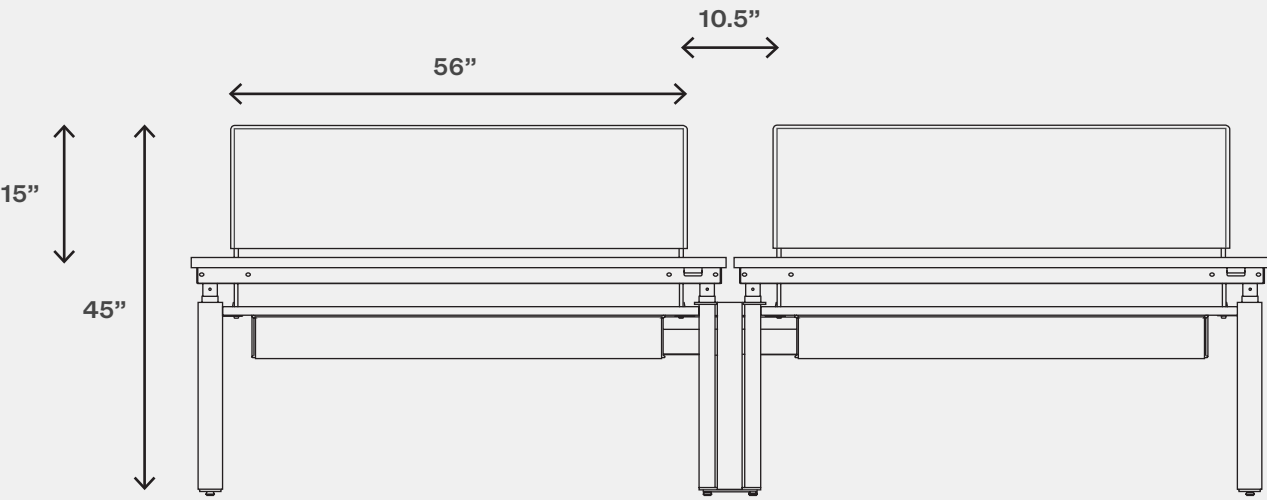
Standard Midnight Matte lifting columns with Apollo Gloss base

MIX | SCREENS

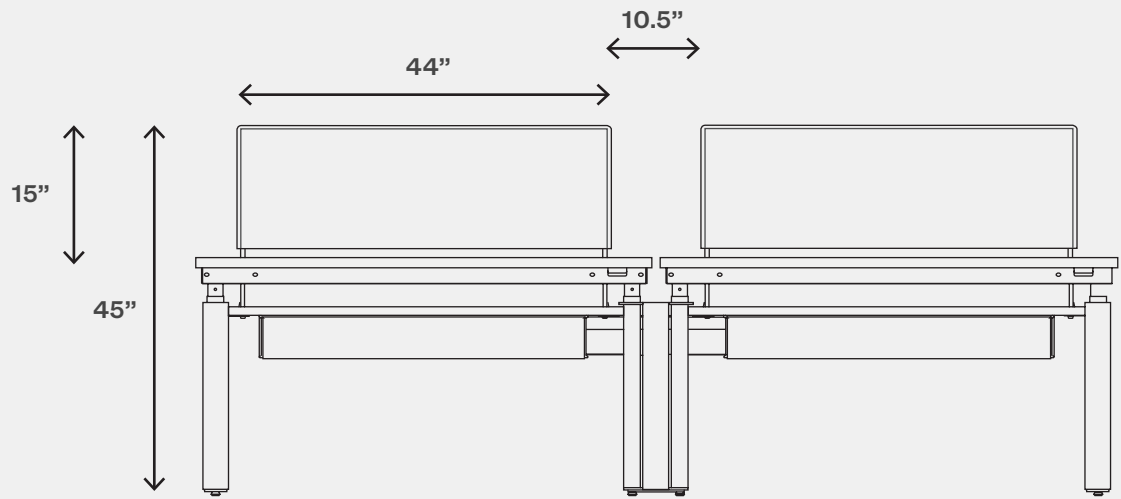
2-STAGE | FIXED HEIGHT



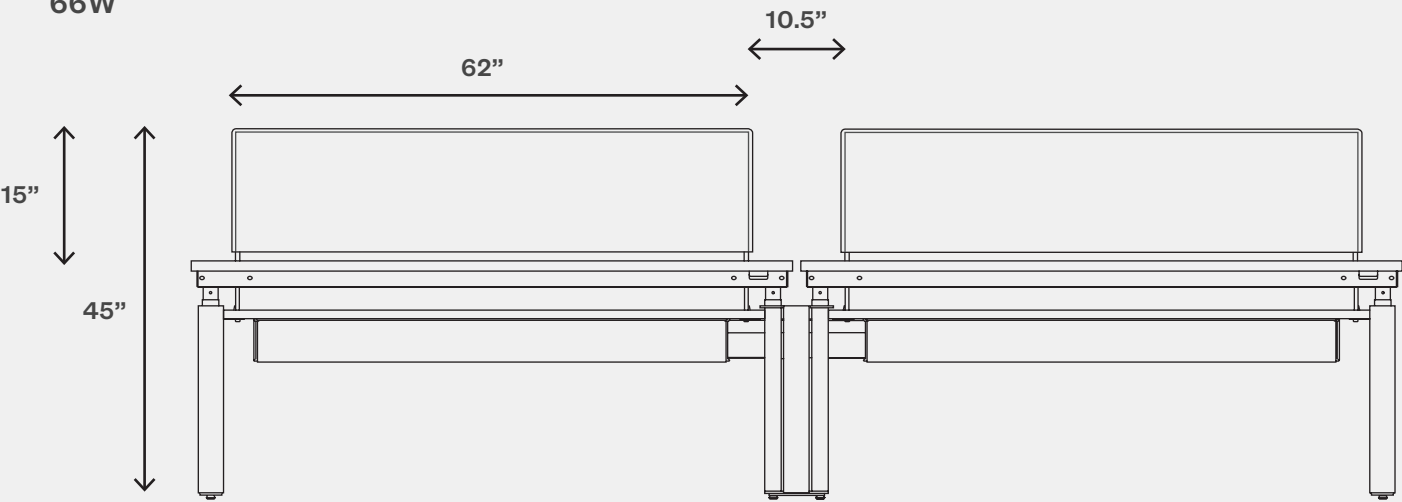
48W



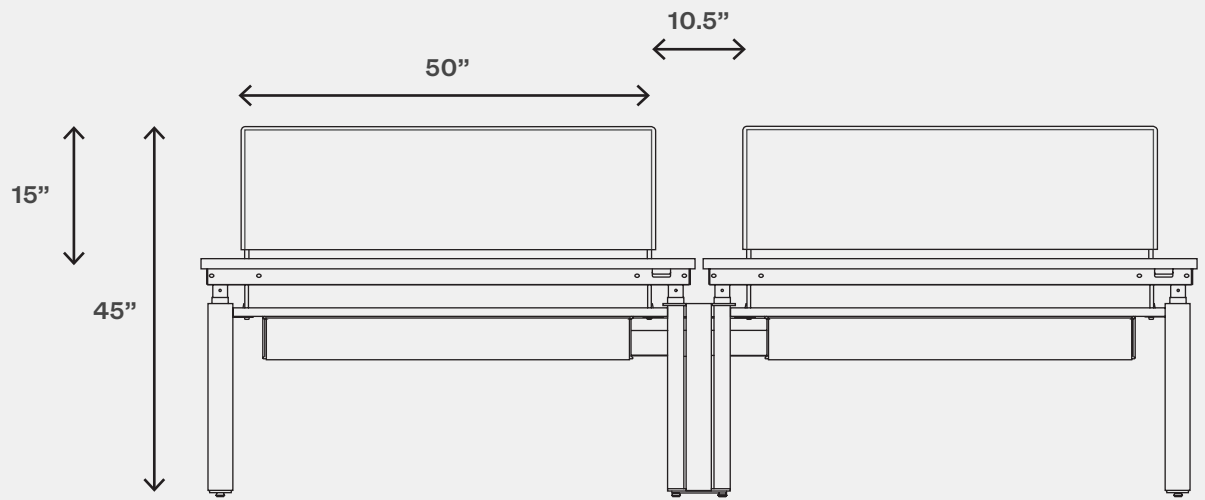
66W



54W



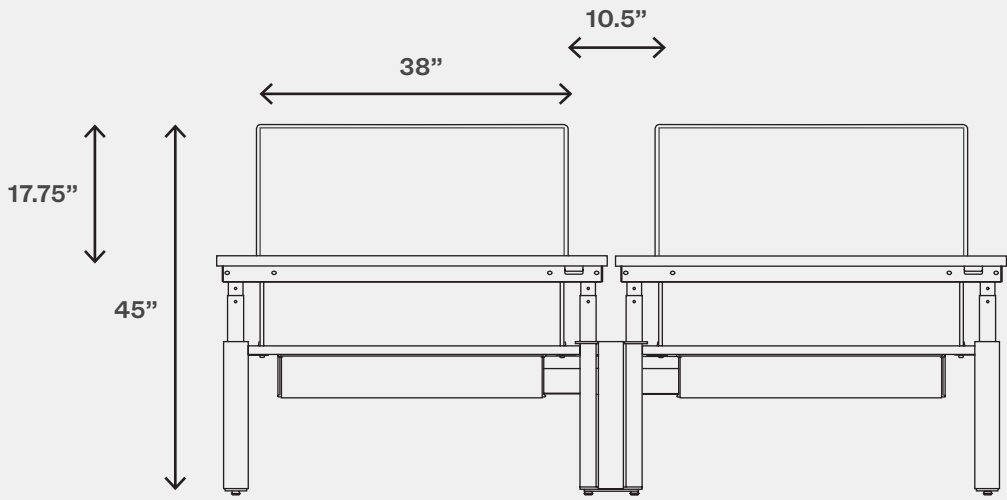
72W



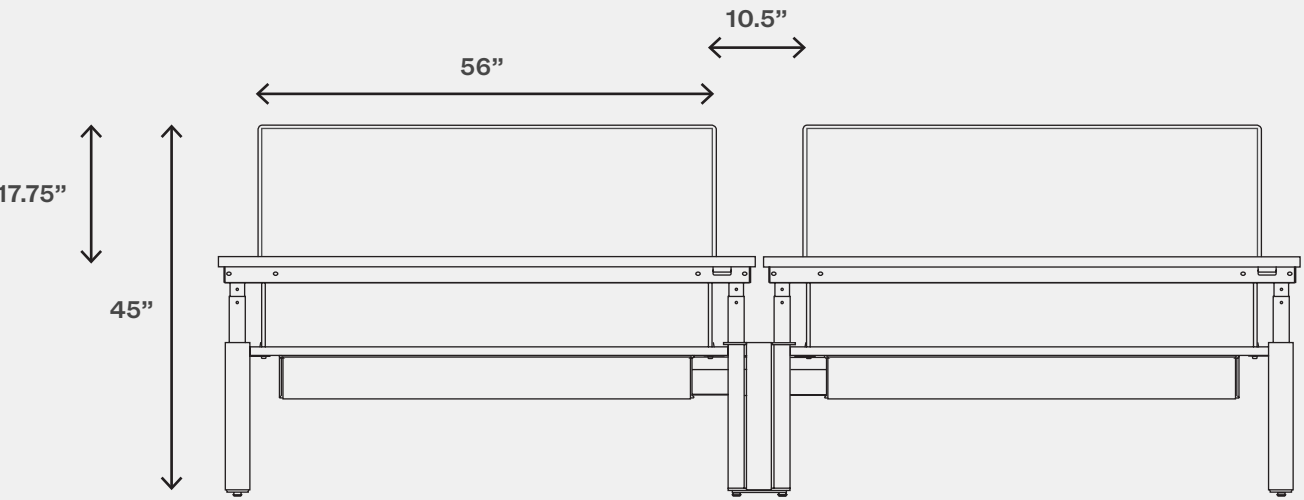
60W

MIX | SCREENS

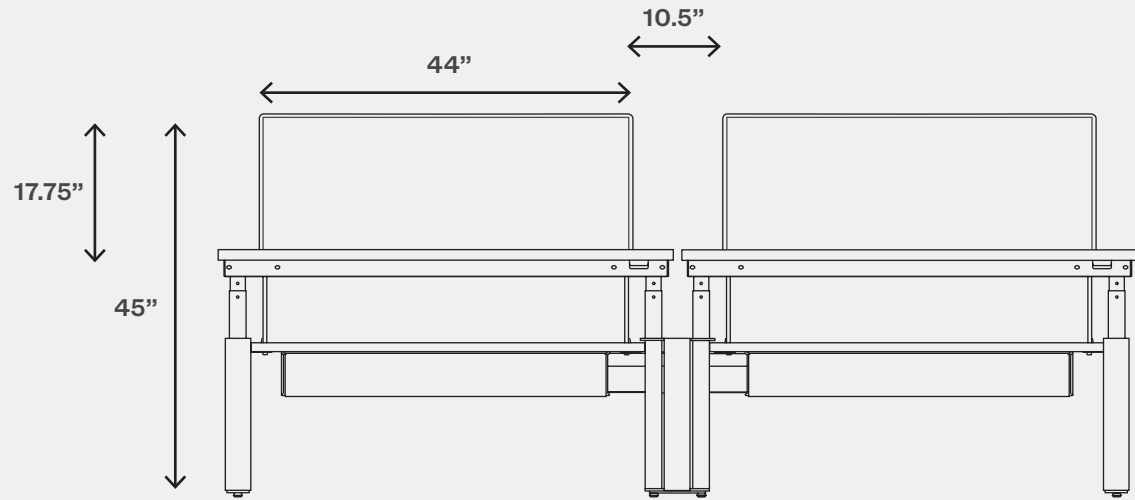
3-STAGE



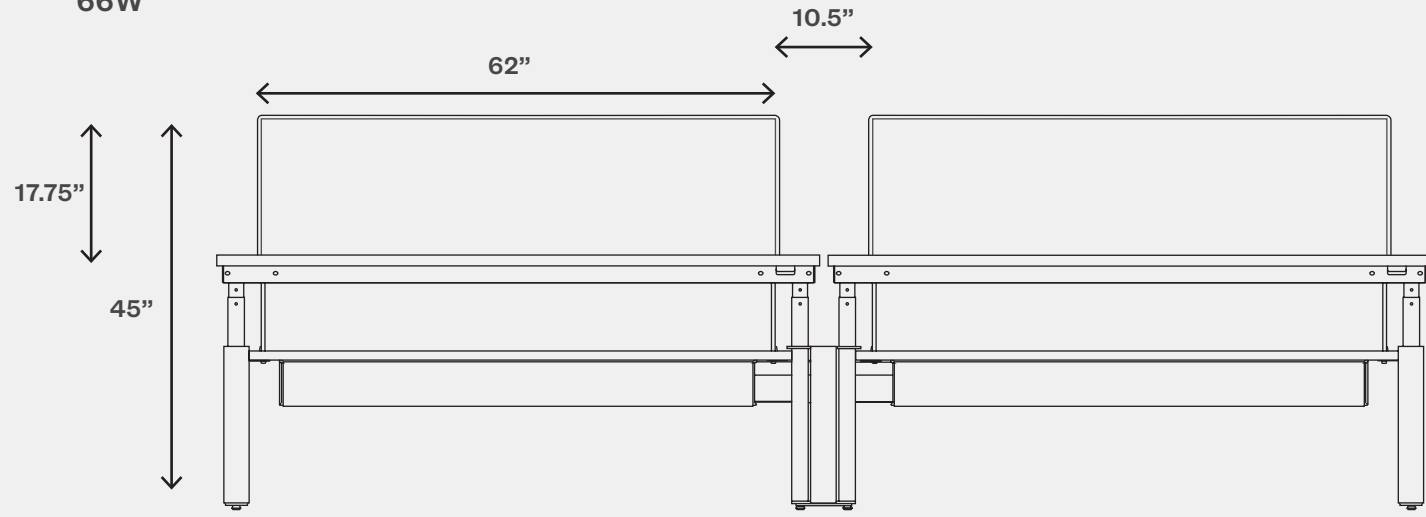
48W



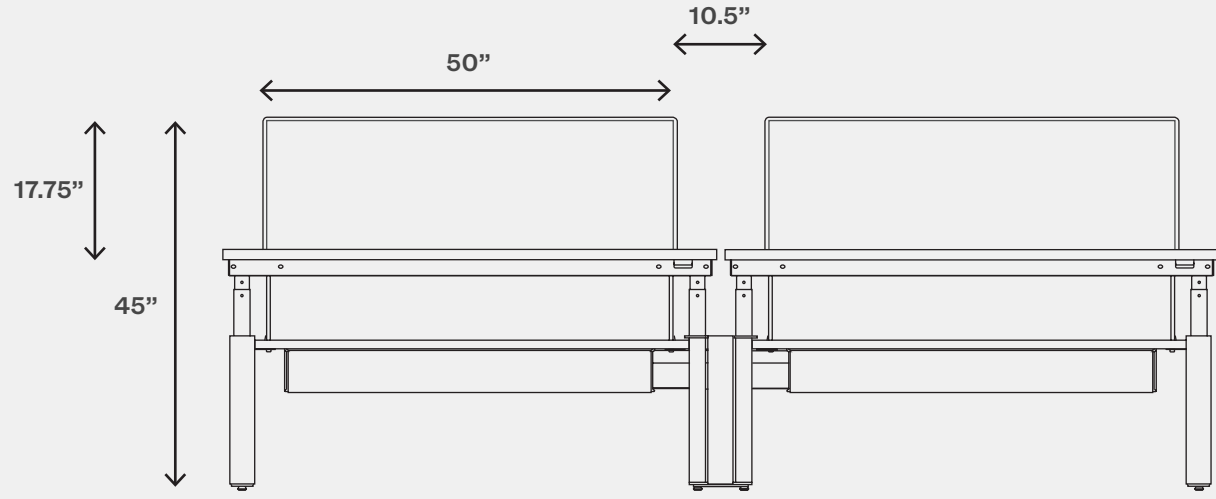
66W



54W

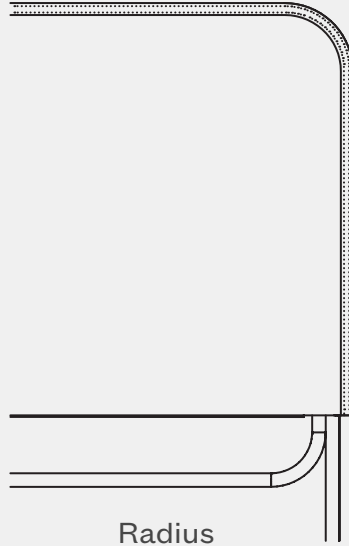
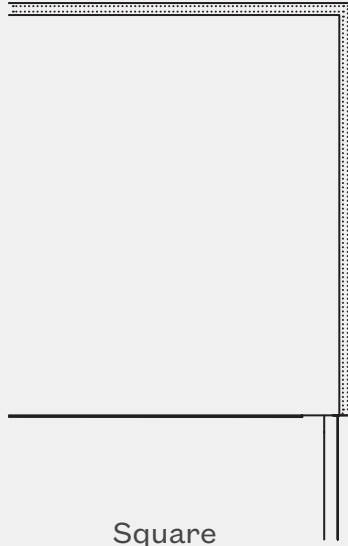


72W



60W

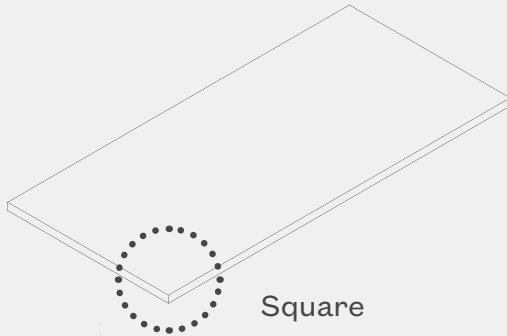
DIVIDER SCREEN STYLES



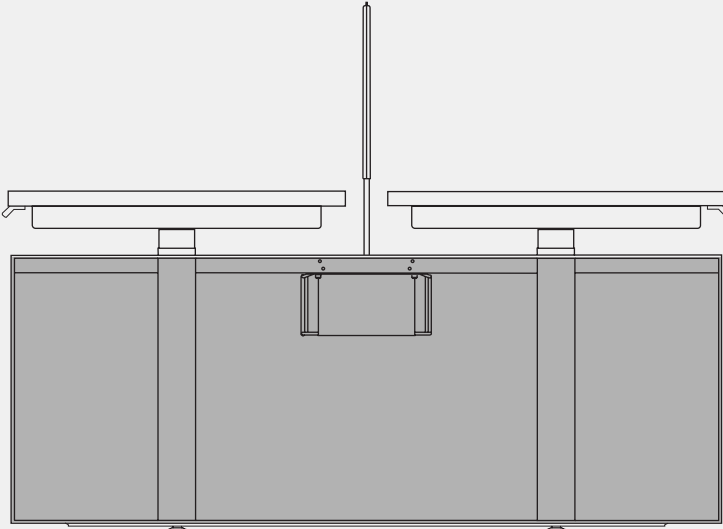
TROUGH COVER STYLES



SURFACE STYLES

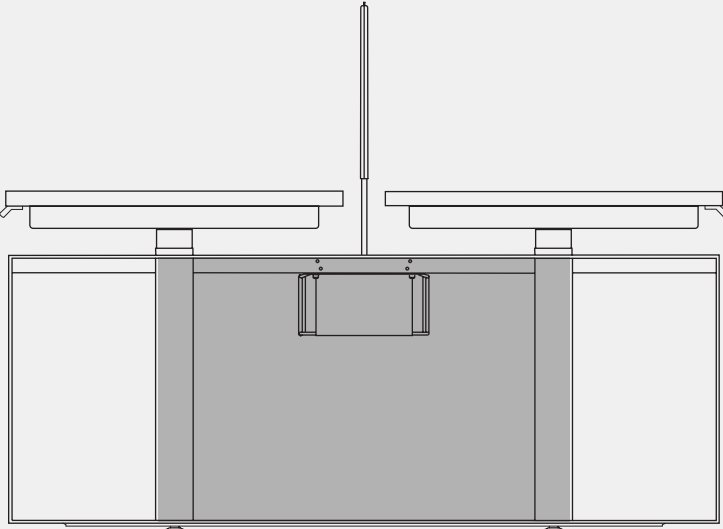


INFILL STYLES



FULL INFILL

**shown on Foundry 2-stage*

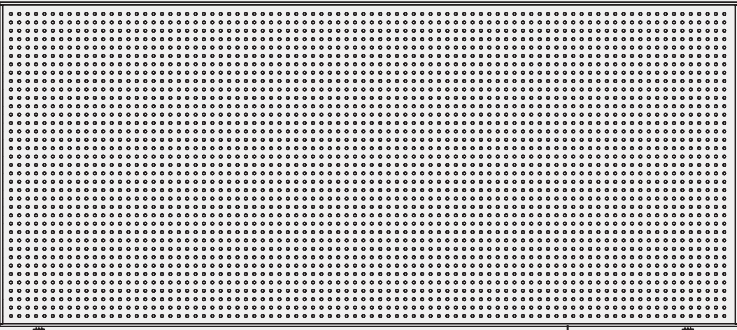


PARTIAL INFILL

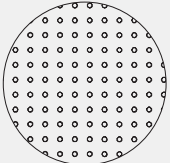
INFILL MATERIALS



Solid Metal



Perforated Metal

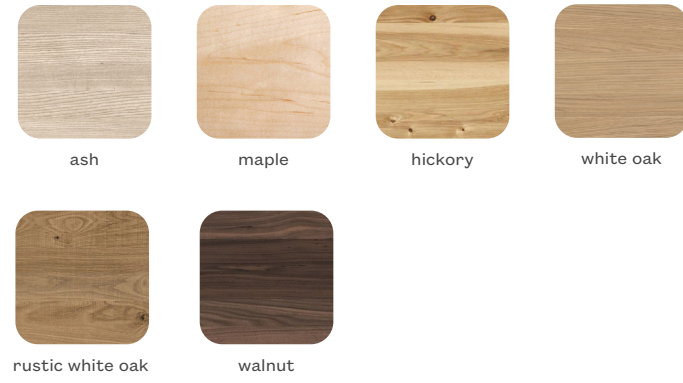


1/4" Dia Hole with 1"x1" spacing on center



Laminate | Veneer

VENEER

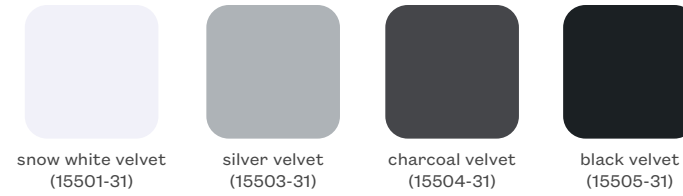


WRAPPED LAMINATE

**woodgrains contain texture*



SOFT TOUCH LAMINATE



LAMINATE



METAL

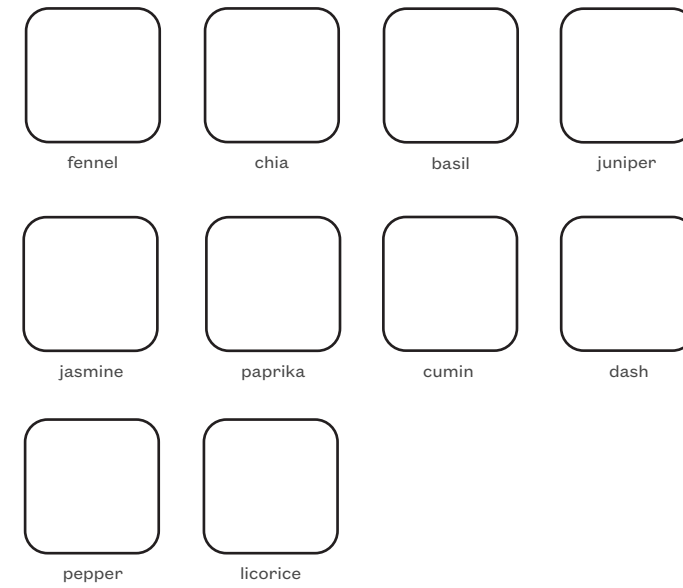


WOOL

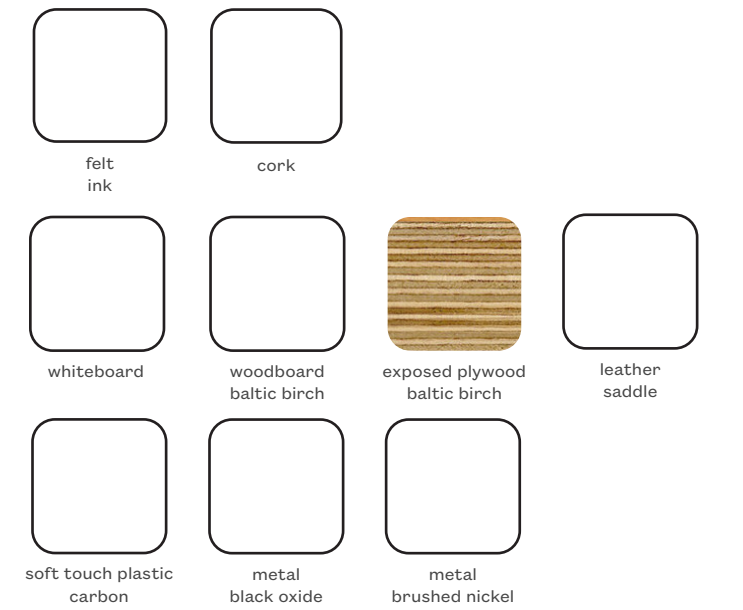
**additional colorways available at a premium*



PET



MISCELLANEOUS

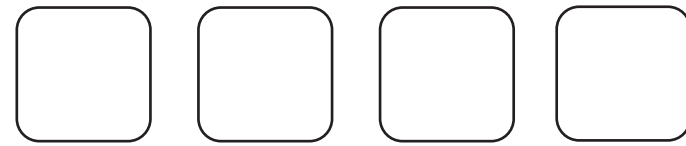


**available for lifting columns only*

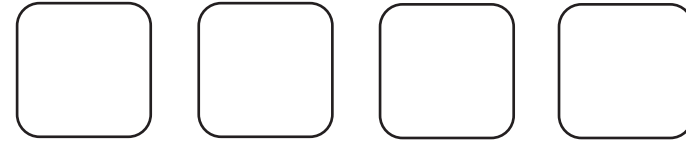
Select lifting columns available with 200 MOQ.

Storm Gloss Abyss Gloss
Carbon Gloss Ghost Gloss

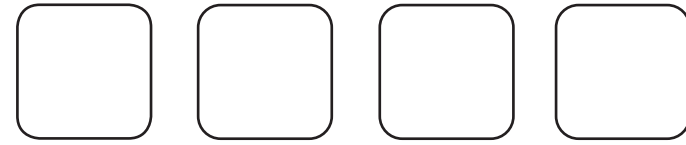
SOFT TOUCH GLASS



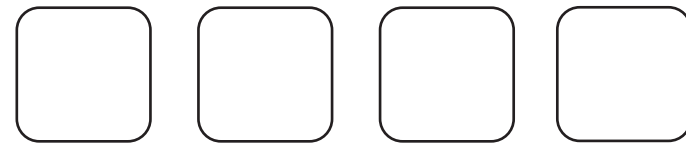
olive storm ash gumby



wave apollo carbon abyss

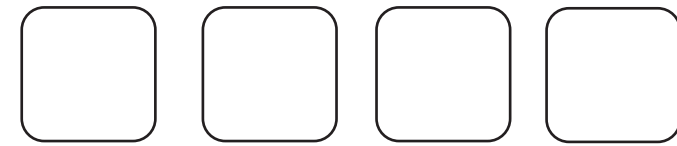


midnight ghost mist sunny

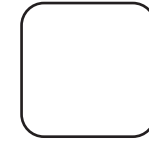


blush rouge salmon fire

BUZZIFELT



orange offwhite stonegrey lightblue



jeans

BIO PLASTIC



sage forest ocean cobalt



clay eggshell ochre blossom



terracotta onyx

MIX | SUSTAINABILITY

SCS IAQ GOLD

SCS Global Services certified for low VOC emissions with the most transparent indoor air quality (IAQ) standard for furniture and building materials. The Indoor Advantage and Indoor Advantage Gold standard aligns with both ANSI/BIFMA M7.1 and X7.1, and CA 01350. It is recognized by the EPA and GSA, and qualifies for many building rating systems, including LEED v4, BREEAM, WELL Building, and Living Building Challenge.

HPD TESTED

The HPD provides a chemical inventory of a building product and characterizes the level of concern about each ingredient. Most, if not all, of the chemicals in the product are disclosed by Pair, providing greater transparency in selecting products for buildings.

Untethered Power System:

This HPD includes the Pair product lines for workstations: SWING, SWING JR., SIMPLE BEAM, and OLLI. These systems are comparable in product attributes because they include a freestanding beam for power and data distribution. The power system can be used to delineate space and support various modes of individual and collaborative work.

Fabric:

This HPD covers fabric accessories to the Pair Product lines. Traverse from focus work to a collaborative environment in minutes by enhancing your workspace with Sidekicks offering screening and seating solutions designed to fit the needs of any workplace. Includes products: OLLI/SWING, POWER SLEEVE, BYOT POWER SLEEVE, FELT CABLE MANAGER, SWING BEAM MOUNTED SCREEN, SWING MODESTY, OLLI CUSHION, OLLI BUTTERFLY SCREEN, MIX DIVIDER SCREEN, HANGING BOARD, and HANGING SCREEN.

Metal & Wood:

This HPD covers wood and metal accessories to the Pair Product lines. Traverse from focus work to a collaborative environment in minutes by enhancing your workspace with Sidekicks and Elements designed to fit the needs of any workplace. Products included in this category: PLANTER HOOK, OLLI COAT RACK, OLLI FRAME, OLLI MEETING TABLE, STACKABLE CADDY, STACKABLE PLANTER, STACKABLE STORAGE, OLLI PLUG, BAG HOOK, TUCK, MIX INFILLS, SWING END PANEL, FADE CABLE CHASE, and NEST.





Email hello@madebypair.com for more information.