

Theo.

Embrace the power of adaptability and revolutionize your workspace with Theo. Experience the freedom to scale your table's size as your needs evolve, optimizing productivity and maximizing your space utilization.





THEO

DIMENSIONS

Surface Depth:	30" 36" 42" 48" 54" 60"
Surface Width:	66" 72" 78" 84" 90" 96" 102" 108" 114" 120" 132" 144" 156" 168" 180" 192" 204"
Surface Thickness:	1.25"
Overall Height:	29"H

STYLES

Surface Shape:	Rectangle Racetrack
Surface Corner:	Square Radius
Base:	Theo

DESIGN DETAILS

Surface Shape:	0.5" levelling
Surface Corner:	
Base:	

POWER

Cable Manager

After market power solutions available [here](#).

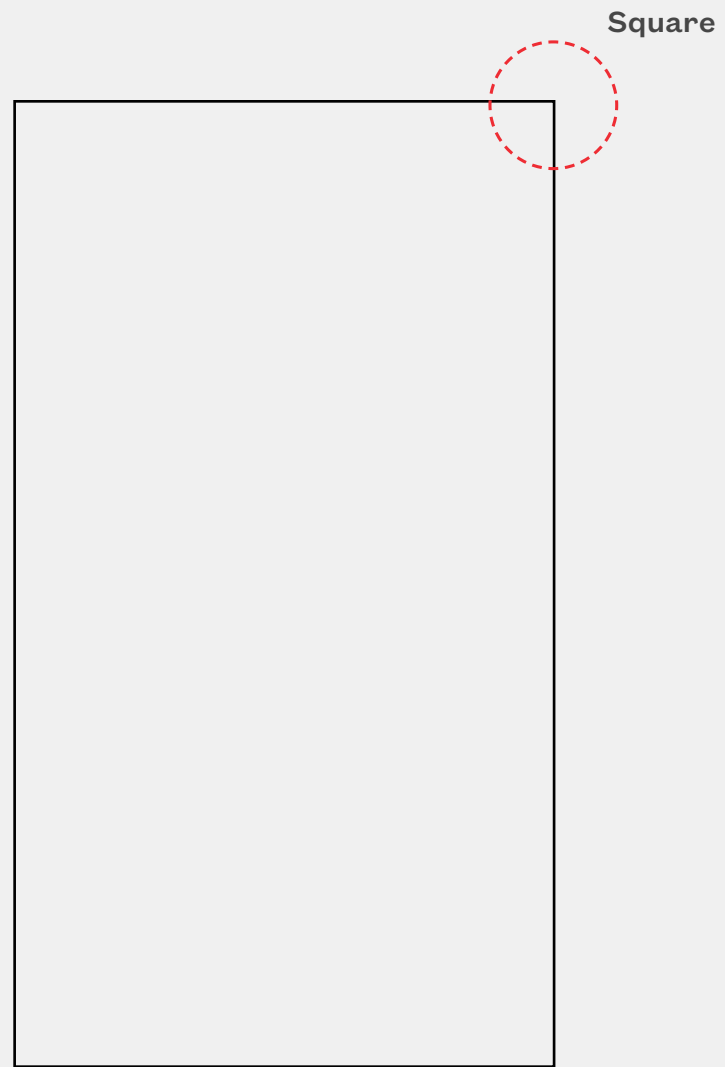
FINISHES

Surface:	Laminate Veneer
Edge Band:	Matching Exposed Baltic Birch Plywood
Base:	Metal
Cable Manager:	PET: Fennel Licorice

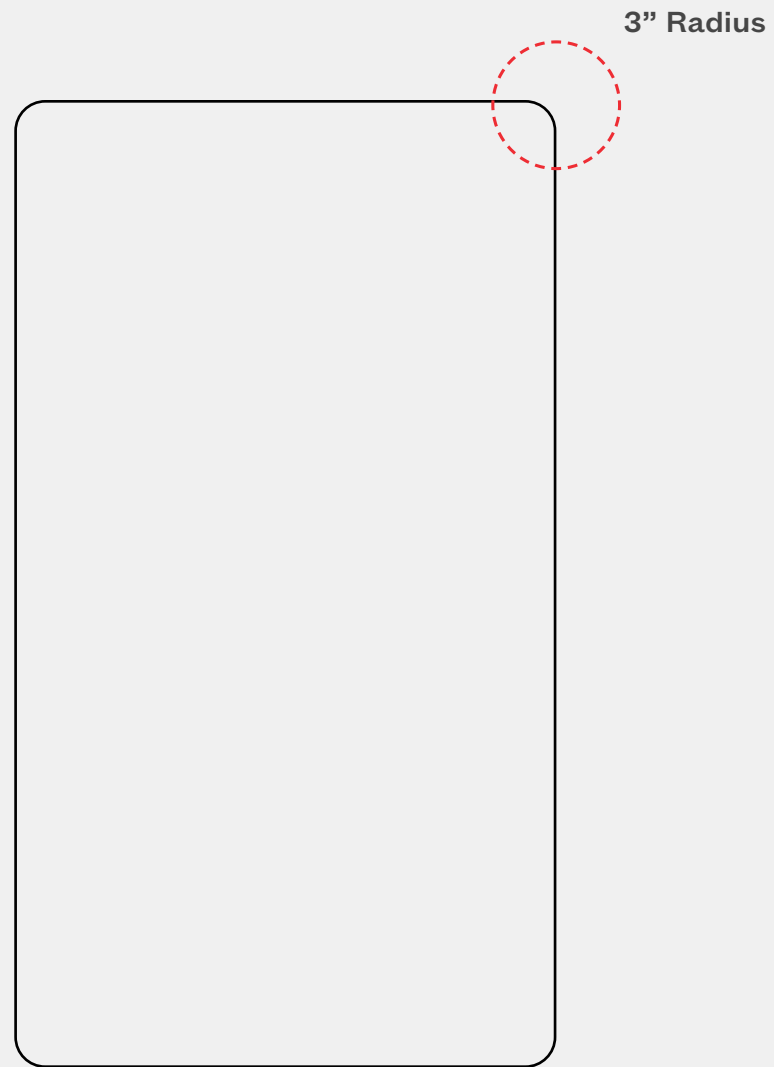
PERFECT PAIR-ING

Slice

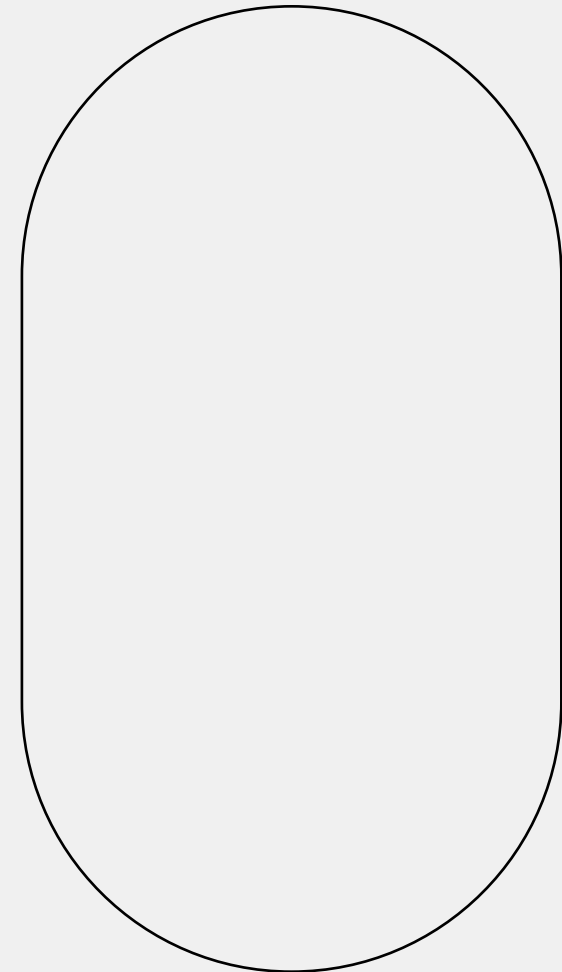




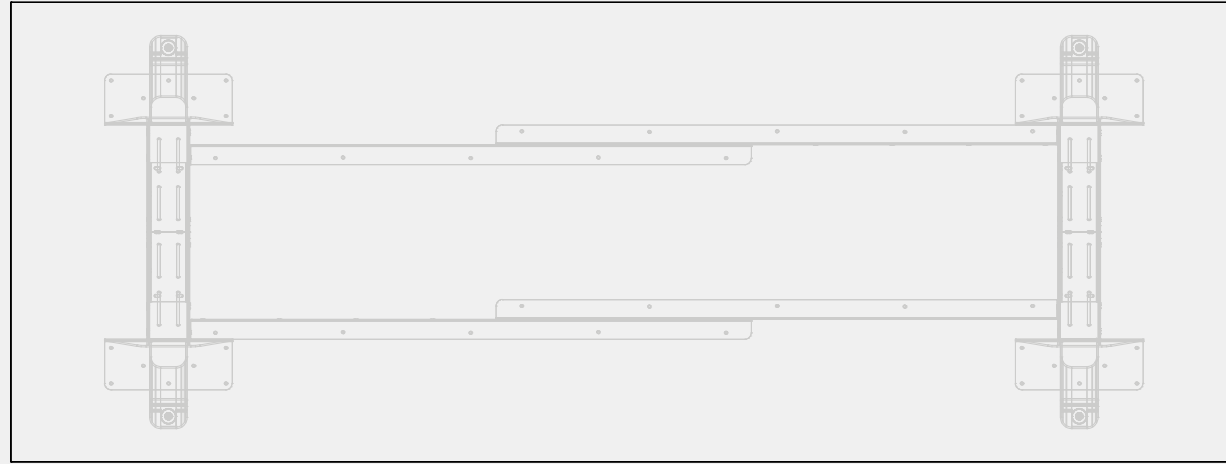
RECTANGLE



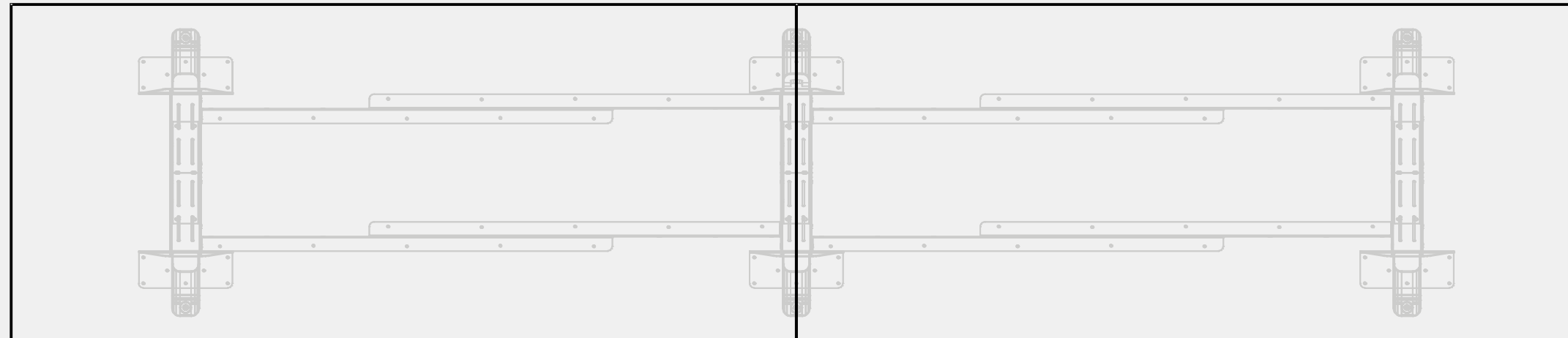
RACETRACK



THEO | RECTANGLE SURFACE + BASE LOGIC
Depths - 30"D, 36"D, 42"D, 48"D, 54"D, 60"D

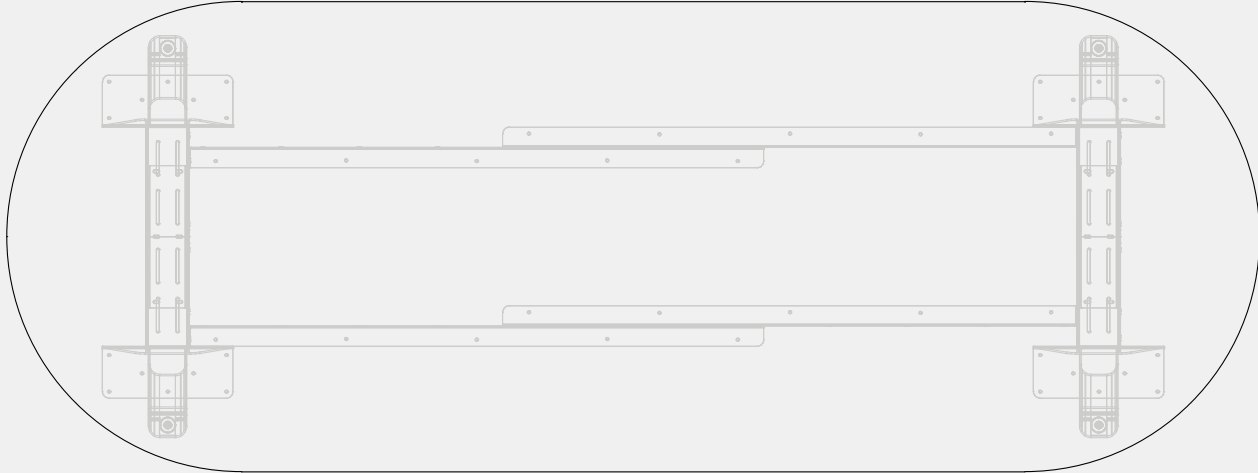


66-120"W
1 Piece Surface | 2 Theo Legs

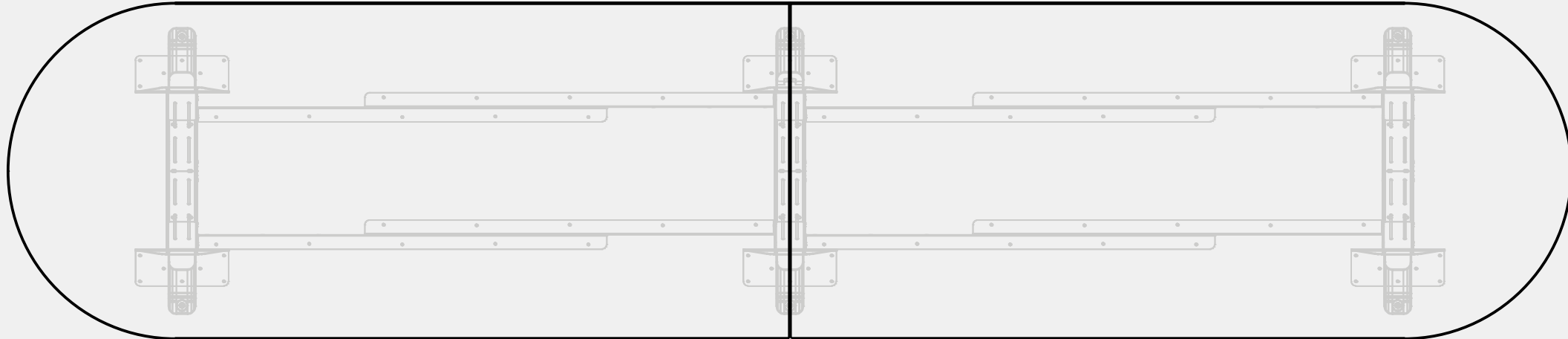


132"W - 204"W
2 Piece Surface | 3 Theo Legs

THEO | RACETRACK SURFACE + BASE LOGIC
Depths - 30"D, 36"D, 42"D, 48"D, 54"D, 60"D



66-120"W
1 Piece Surface | 2 Theo Legs



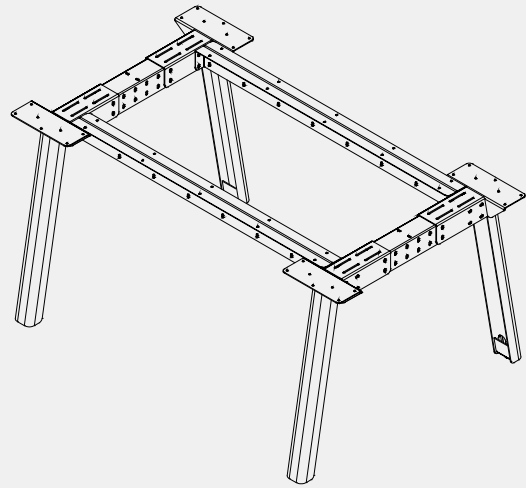
132"W - 204"W
2 Piece Surface | 3 Theo Legs

THEO | BASE DETAILS

Rails can be extended across the width of the table.

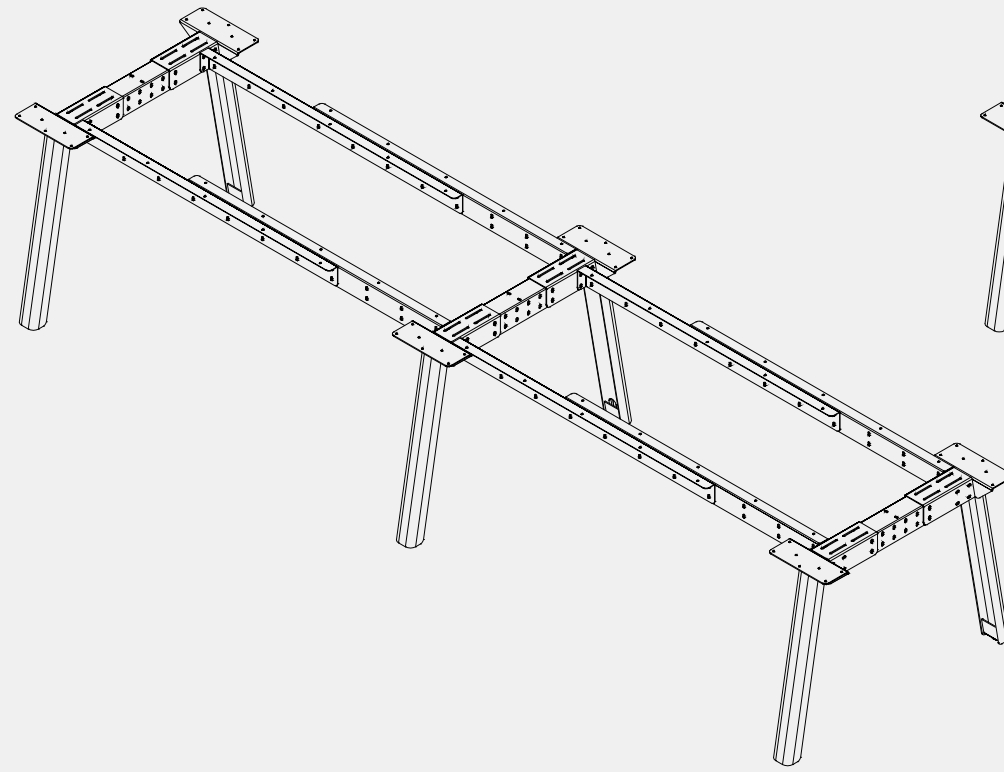
SMALL

Rails at the shortest length adjustment



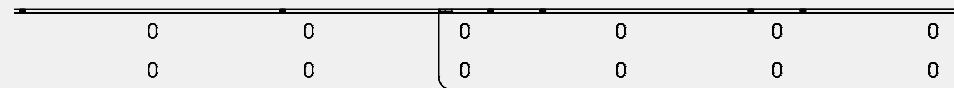
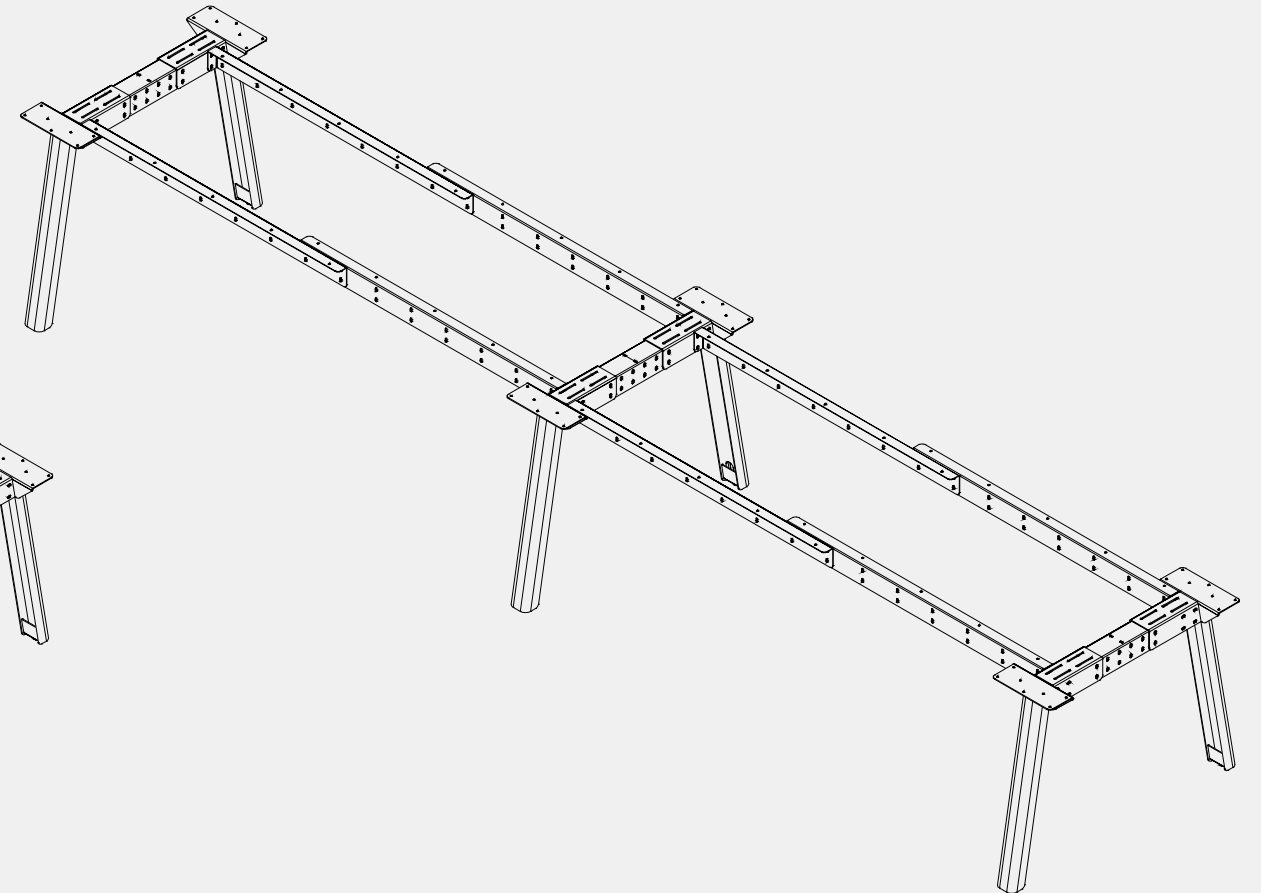
MID

Rails extended to a mid length adjustment



FULL

Rails extended to a full length adjustment

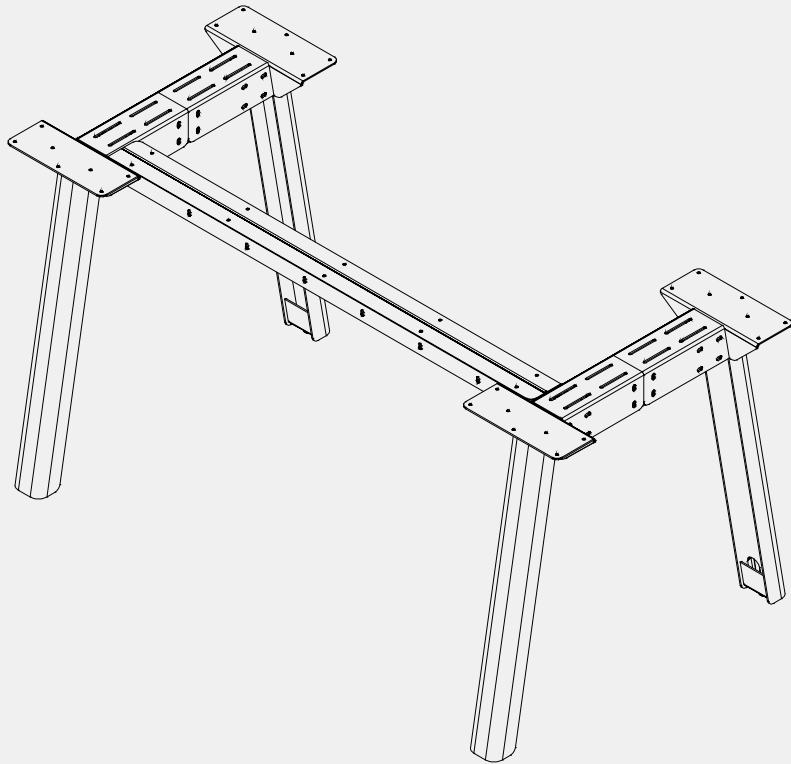


Adjustments can be made every 6 inches

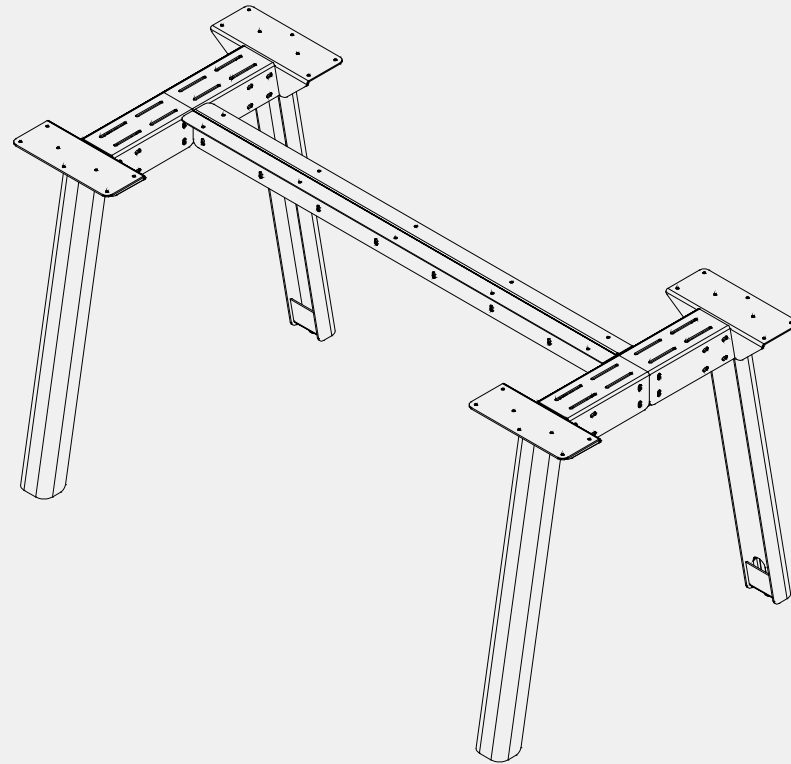
THEO | BASE DETAILS

Rails can be justified left, right or centered on the depth of the table

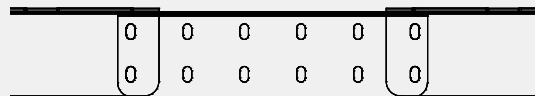
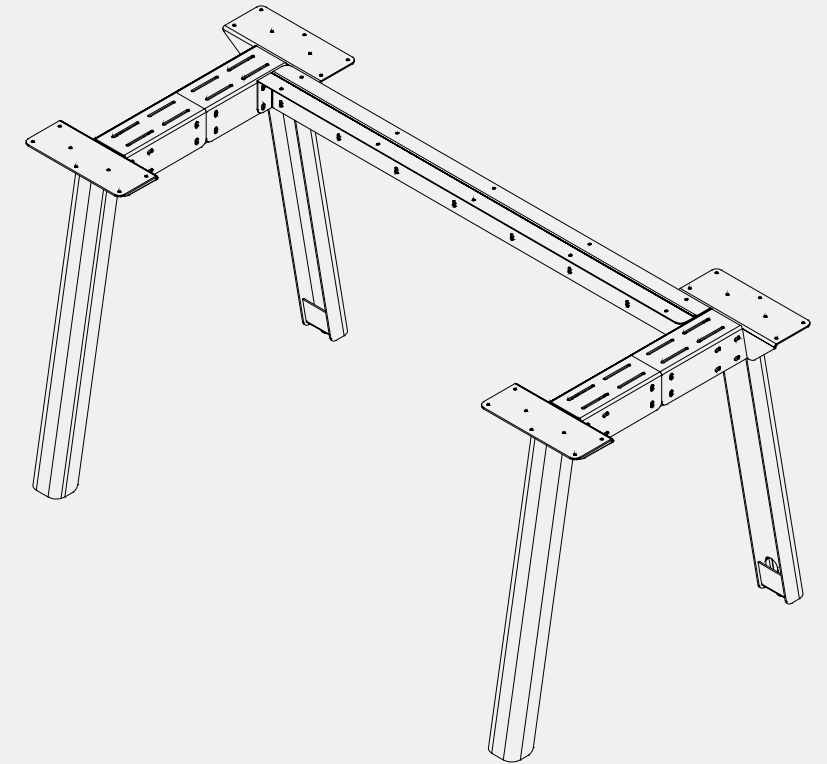
LEFT



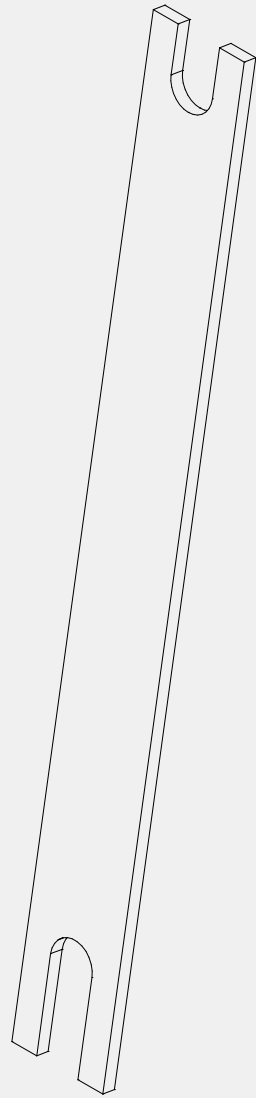
CENTER



RIGHT



Adjustments can be made every 2 inches



EASY INSTALLATION

- Slides into any leg
- Allows cables to pass-thru from the top and the bottom

THEO | POWER SOLUTIONS

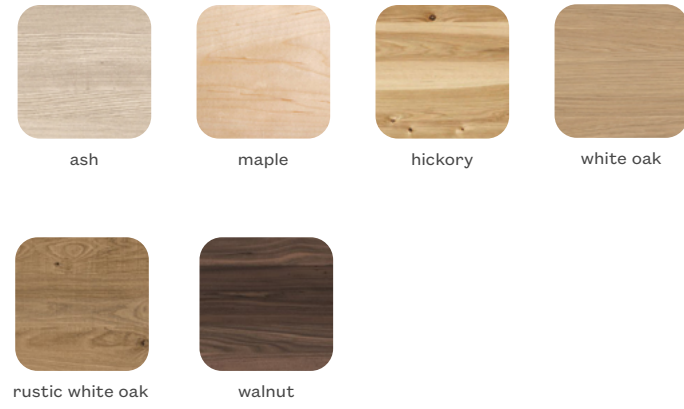
Customize Theo by adding power and cutouts to fit your needs. Pair suggests the following power solutions for Theo. For more details, please refernce our [Aftermarket Power Guide](#).

Power Solutions

1. Bento
2. Dean
3. Burele
4. Pepper

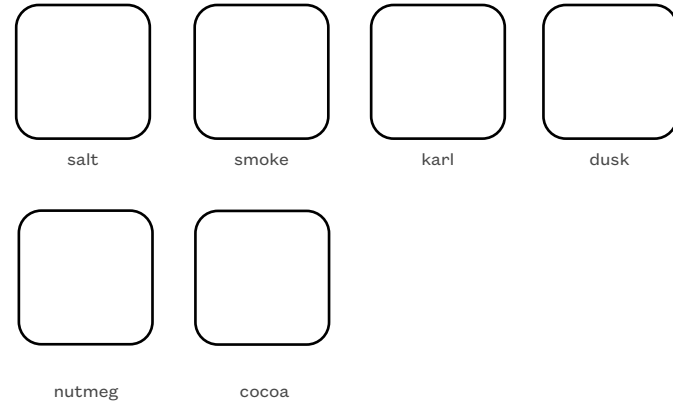


veneER

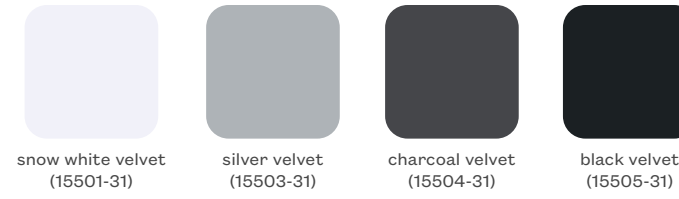


WRAPPED LAMINATE

** woodgrains contain texture*



SOFT TOUCH LAMINATE



LAMINATE

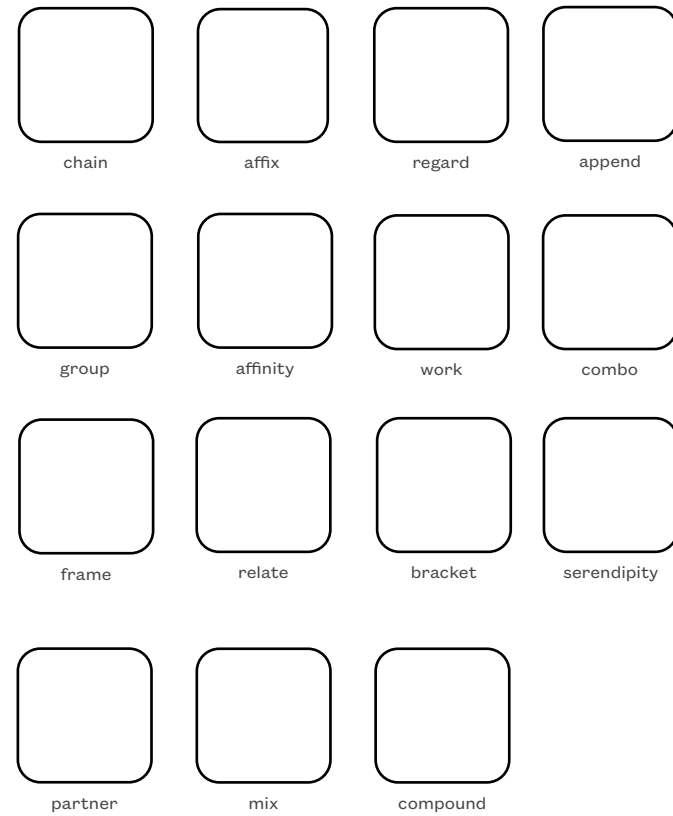


METAL

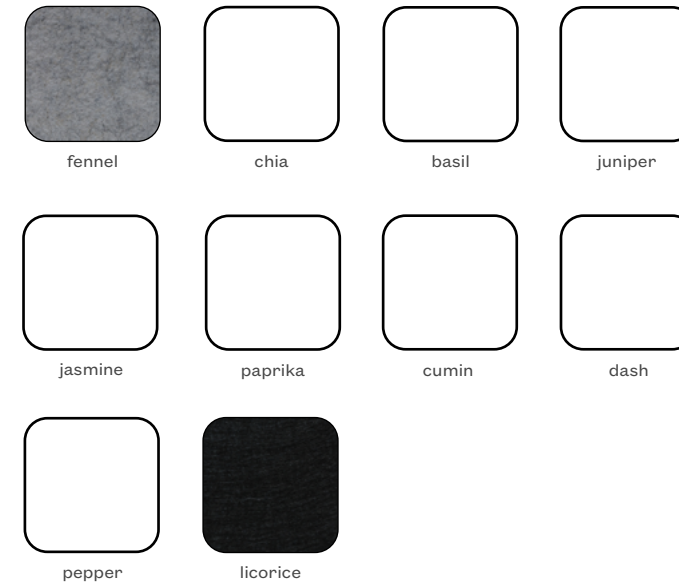


WOOL

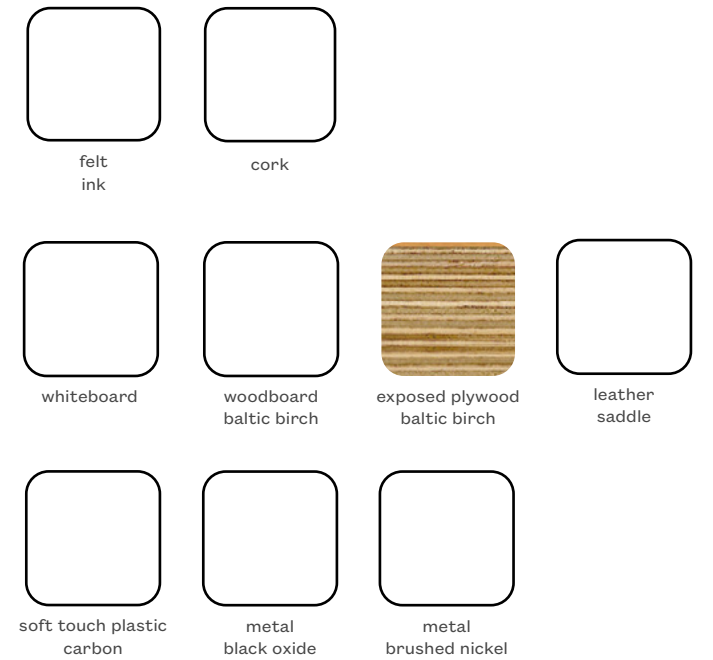
** additional colorways available at a premium*



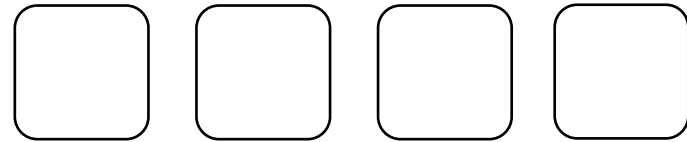
PET



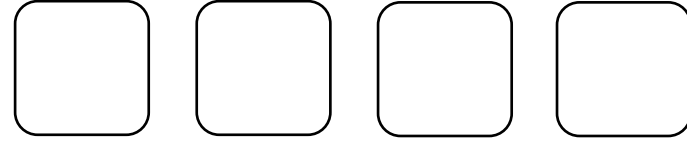
MISCELLANEOUS



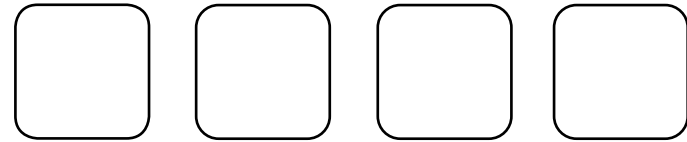
SOFT TOUCH GLASS



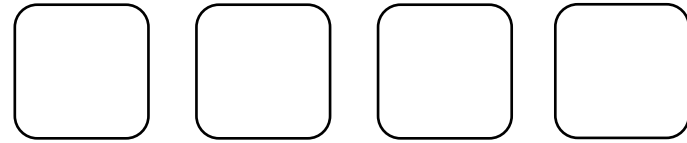
olive storm ash gumby



wave apollo carbon abyss

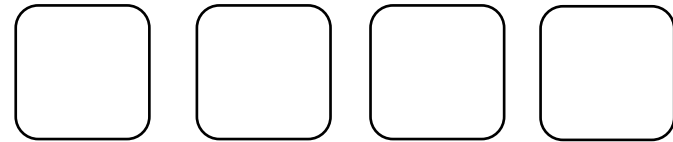


midnight ghost mist sunny

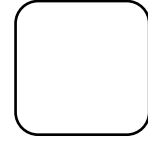


blush rouge salmon fire

BUZZIFELT

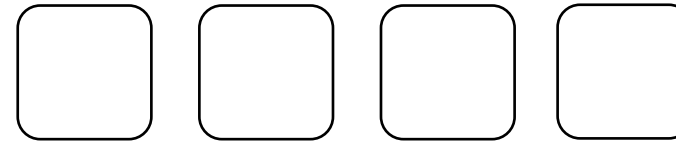


orange offwhite stonegrey lightblue



jeans

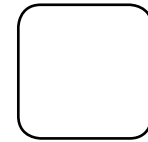
BIO PLASTIC



sage forest ocean navy



clay eggshell ochre blossom



terracotta

SCS IAQ GOLD

SCS Global Services certified for low VOC emissions with the most transparent indoor air quality (IAQ) standard for furniture and building materials. The Indoor Advantage and Indoor Advantage Gold standard aligns with both ANSI/BIFMA M7.1 and X7.1, and CA 01350. It is recognized by the EPA and GSA, and qualifies for many building rating systems, including LEED v4, BREEAM, WELL Building, and Living Building Challenge.

HPD TESTED

The HPD provides a chemical inventory of a building product and characterizes the level of concern about each ingredient. Most, if not all, of the chemicals in the product are disclosed by Pair, providing greater transparency in selecting products for buildings.

Untethered Power System:

This HPD includes the Pair product lines for workstations: SWING, SWING JR., SIMPLE BEAM, and OLLI. These systems are comparable in product attributes because they include a freestanding beam for power and data distribution. The power system can be used to delineate space and support various modes of individual and collaborative work.

Fabric:

This HPD covers fabric accessories to the Pair Product lines. Traverse from focus work to a collaborative environment in minutes by enhancing your workspace with Sidekicks offering screening and seating solutions designed to fit the needs of any workplace. Includes products: OLLI/SWING, POWER SLEEVE, BYOT POWER SLEEVE, FELT CABLE MANAGER, SWING BEAM MOUNTED SCREEN, SWING MODESTY, OLLI CUSHION, OLLI BUTTERFLY SCREEN, MIX DIVIDER SCREEN, HANGING BOARD, and HANGING SCREEN.

Metal & Wood:

This HPD covers wood and metal accessories to the Pair Product lines. Traverse from focus work to a collaborative environment in minutes by enhancing your workspace with Sidekicks and Elements designed to fit the needs of any workplace. Products included in this category: PLANTER HOOK, OLLI COAT RACK, OLLI FRAME, OLLI MEETING TABLE, STACKABLE CADDY, STACKABLE PLANTER, STACKABLE STORAGE, OLLI PLUG, BAG HOOK, TUCK, MIX INFILLS, SWING END PANEL, FADE CABLE CHASE, and NEST.





madebypair.com

Email hello@madebypair.com for more information.